

# Welcome to Waterway's Pool & Spa Product Buyer's Guide Volume 2





## Pool & Spa Product Buyer's Guide / Information

For information or assistance, contact:

**Waterway Plastics Customer Service Department:** 805.981.0262  
Waterway Plastics, 2200 East Sturgis Road, Oxnard, California 93030  
Telephone: 805.981.0262 • Fax: 805.981.9403 • Toll Free Fax: 888.772.5387  
www.waterwayplastics.com • waterway@waterwayplastics.com

### **Pricing:**

All prices subject to change without notice. For current prices please contact your Waterway sales representative.

### **Product Disclaimer:**

All illustrations, photographs and specifications in this publication are based on product information available at the time of printing. Waterway reserves the right to make changes at any time, without giving prior notice, to colors, materials, specifications, part numbers and prices and to discontinue product or product components. All items are not available in all colors or materials.

### **Ordering:**

To ensure prompt and proper shipment, please order by product part number and description. Be sure to include the correct (last digit) number for the color desired. Specially quoted product numbers must not be changed (even by one digit), or the pricing will not be recognized. Products and prices are subject to change without notice.

All orders must be a minimum of \$50.00.

All items are subject to availability and may require additional set up fees and minimum quantities.

### **Terms:**

All sales are cash with order until credit is established, after which, terms are net 30 days.

### **Shipments:**

All shipments are F.O.B. Oxnard, California.

### **Claims:**

All claims must be made within 30 days after receipt of merchandise.

### **Returns:**

All returns are subject to the Waterway Limited Warranty Policy and written approval, and must be accompanied by an "RGA" (Return Goods Authorization) form or number issued by Waterway prior to returning the merchandise. Unauthorized returns will not be accepted. Freight must be prepaid. In some cases a restocking fee will apply.

### **Information Regarding Lost or Damaged Merchandise:**

Our responsibility for any shipment ceases when the carrier signs the Bill of Lading. All shipments should be inspected immediately upon arrival. If cartons, packages or crates are received in short or damaged condition, it is important that the driver be notified and the recipient should insist on a notation of the loss or damage across the face of the freight bill.

If there is no indication of damage on the freight bill, no claim can be enforced against the carrier.

If concealed loss or damaged merchandise is discovered, notify the carrier immediately and request an inspection, and retain the shipping carton/container. A concealed damage report must be made within 7 calendar days of delivery of the shipment, or the carrier will not entertain any claim for the loss. The carrier agent will perform an inspection and will normally grant a concealed damage notation. IF THE CARRIER RECEIVES A CLEAR RECEIPT FOR THE MERCHANDISE THAT HAS BEEN DAMAGED IN TRANSIT, IT IS AT THE RECIPIENT'S OWN RISK AND EXPENSE.

Waterway is willing to assist in collecting claims for loss or damage, but our willingness does not make us responsible for collection of claims or for the replacement of merchandise.

For additional information or assistance in this regard, please contact:

Waterway Plastics	Waterway Customer Service
Customer Service	Fax:888.772.5387 (888.SPA JETS)
Phone: 805.981.0262	



**WARNING:** Cancer  
**AVERTISSEMENT:** Cancer  
www.P65warnings.ca.gov.



### **Waterway Limited Warranty**

All warranties for end users must be processed through your retail point of purchase.

All products of Waterway carry warranties. The nature and length of the warranty will depend upon the product and are set forth below:

To the buyer, as the original purchaser, Waterway warrants its products free from defects in materials and workmanship for a period of one year from the date of purchase, if installed by a qualified installer. Parts which fail or become defective during the warranty period, except as a result of freezing, negligence, improper installation of equipment or automatic valving systems, use or care, shall be repaired or replaced, at our option, within 90 days of the receipt of the defective product, barring unforeseen delays.

Power Defender Variable Speed Pool Pumps and Crystal Water Cartridge and D.E. swimming pool filters carry a 2 year warranty from sale date, with proof of purchase.

Proof of purchase is required for warranty coverage. Warranty registration card must be submitted for applicable products. In the event proof of purchase is not available, the manufacturing date of the product will be the sole determination of purchase date.

To obtain warranty, replacements or repair, defective components or parts should be returned, transportation paid, to the place of purchase. In the event the place of purchase is not applicable Waterway Plastic should be contacted for necessary return instructions. No returns may be made directly to the factory without the express written authorization of Waterway Plastics.

Waterway Plastics shall not be responsible for cartage, removal and/or reinstallation labor or any other such costs incurred in obtaining warranty replacements.

### **Disclaimer**

Waterway is not liable for incidental or consequential damages, loss of profit, loss of time, inconvenience and incidental expenses. This warranty is limited and shall be in lieu of any other warranties, expressed or implied, including but not limited to, any implied warranty or merchantability or fitness for a particular purpose. There are no other warranties that extend beyond the description of the face hereof. The liability of Waterway arising out of its supply of said products, or their use, shall not in any case exceed the cost of correcting defects in the products as above set forth.

Although Waterway Plastics provides all information, recommendation, or advice regarding its products in good faith, each user bears full responsibility for making its own determination as to suitability of Waterway's products, recommendations, or advice for its own particular use. Each user must identify and perform all tests and analysis necessary to assure that its finished products incorporating Waterway's parts or products will be safe and suitable for use under end-use conditions. This includes but not limited to verification of exposure to ambient operating conditions, adhesives, foams and any other type chemicals during the assembly or the end use conditions. Due to environmental conditions out of our control, we are unable to warranty discolorations or corrosion on stainless steel parts.

This warranty does not apply if the failure is caused or contributed to by any of the following: improper handling, improper storage, improper installation abuse, unsuitable application of the product, lack of reasonable and necessary maintenance, improper packaging for return, or repairs made or attempted by any other company, which in the judgment of Waterway adversely affects the product's performance and reliability. Waterway reserves the right to change its warranty at any time.

Some states do not allow the exclusion or limitation of incidental or consequential damages, so the above limitation or exclusion may not apply to you.



## Color Reference

Last Digit of Part No.	Color/Metal Finish	Available only for:	Pool	Spa
<b>0</b>	White		✓	✓
<b>1</b>	Black		✓	✓
<b>3</b>	Blue (Lights only)			✓
<b>4</b>	Red (Lights only)			✓
<b>5</b>	Red and Blue (Lights only)			✓
<b>7</b>	Gray		✓	✓
<b>8</b>	Clear			✓
<b>9</b>	Call for other colors, metal finishes & special orders			
<b>9-BEI</b>	Beige (Tan)		✓	
<b>9-DKG</b>	Dark Gray		✓	
<b>9-DSG</b>	Dark Silver Glitter / DSG			✓
<b>9-STS</b>	Sterling Silver			✓



<b>Pool Hose / Tubing</b> .....	<b>8</b>
<b>Pool Pumps</b> .....	<b>9</b>
<b>Filters / Filter Systems</b> .....	<b>19</b>
<b>International &amp; CSA Pumps / Filter Systems</b> .....	<b>30</b>
<b>Wet Ends / Bases</b> .....	<b>34</b>
<b>Air Systems</b> .....	<b>36</b>
<b>Pool Control System</b> .....	<b>37</b>
<b>Unions</b> .....	<b>38</b>
<b>Chlorinators / Accessories</b> .....	<b>44</b>
<b>Ells / Tees / Wyes</b> .....	<b>45</b>
<b>Fittings</b> .....	<b>49</b>
<b>Gunite Jets</b> .....	<b>56</b>
<b>AquaShapes</b> .....	<b>66</b>
<b>Valves</b> .....	<b>67</b>
<b>Drains / Suctions</b> .....	<b>69</b>
<b>Skimmers / Skim Filters</b> .....	<b>81</b>
<b>Misc / Accessories</b> .....	<b>91</b>
<b>Spa Hose / Tubing</b> .....	<b>96</b>
<b>Spa Jets</b> .....	<b>97</b>
<b>Air Injectors / Blowers</b> .....	<b>114</b>
<b>Drains / Suctions</b> .....	<b>116</b>
<b>Air Controls</b> .....	<b>120</b>
<b>Top Side Valves</b> .....	<b>121</b>
<b>Water Features</b> .....	<b>126</b>
<b>Lighting</b> .....	<b>131</b>
<b>Spa Control Systems</b> .....	<b>136</b>
<b>Skimmers / Filters</b> .....	<b>137</b>
<b>Spa Pumps</b> .....	<b>147</b>
<b>Wet Ends / Bases</b> .....	<b>158</b>
<b>Slice / Check Valves</b> .....	<b>160</b>
<b>Unions</b> .....	<b>161</b>
<b>Ells / Tees / Wyes</b> .....	<b>168</b>
<b>Manifolds</b> .....	<b>172</b>
<b>Misc / Accessories</b> .....	<b>182</b>
<b>Technical Info</b> .....	<b>190</b>
<b>Replacement Parts</b> .....	<b>198</b>
<b>Index</b> .....	<b>262</b>

**POOL**

**SPA**









Designed and  
manufactured for  
in-ground pool  
& spa use.



**Available In:**

- Clear vinyl: 1/8", 1/4", 3/8", 3/4", and 3/4"
- White vinyl: 3/8", 3/4"
- Shur-grip: 3/4", 3/4" thin, 1 1/2", and 2"
- Flex: 1/2", 3/4", 1", 1 1/4", 1 1/2", 2", 2 1/2", and 3"

Call for pricing.

*Pool hose is higher durometer for durable in-ground application.*

**Hose and Tubing - Individual Rolls (wrapped)**

Part No.	Description	Color	Ft. / Roll
110-0120	Vinyl - 3/8" x 9/16"	Clear (0), White (W)	500
110-0140	Vinyl - 3/4" x 1"	Clear (0), White (W)	150
120-0110	Flex - 1/2"	White (0), Black (1)	100
120-0120	Flex - 3/4"	White (0), Black (1)	100
120-0130	Flex - 1"	White (0), Black (1)	50
120-0180	Flex - 1 1/4"	White (0), Black (1)	50
120-0140	Flex - 1 1/2"	White (0), Black (1)	50
125-0110	Flex - 1 1/2" x 100 ft.	White (0), Black (1)	100
120-0150	Flex - 2"	White (0), Black (1)	50
125-0120	Flex - 2" x 100 ft.	White (0), Black (1)	100
120-0160	Flex - 2 1/2"	White (0), Black (1), Gray (7)	50
120-0170	Flex - 3"	White (0), Black (1), Gray (7)	50

Call for pricing.

**Hose and Tubing - Pallets (wrapped)**

Part No.	Description	Color	Ft. / Pallet	Rolls / Pallet
110-0120P	Vinyl - 3/8" x 9/16"	Clear (0), White (W)	20,000	40
110-0140P	Vinyl - 3/4" x 1"	Clear (0), White (W)	6,000	40
120-0110P	Flex - 1/2"	White (0), Black (1)	6,800	68
120-0120P	Flex - 3/4"	White (0), Black (1)	5,600	56
120-0130P	Flex - 1"	White (0), Black (1)	2,800	56
120-0180P	Flex - 1 1/4"	White (0), Black (1)	1,200	24
120-0140P	Flex - 1 1/2"	White (0), Black (1)	1,200	24
125-0110P	Flex - 1 1/2" x 100 ft.	White (0), Black (1)	1,200	12
120-0150P	Flex - 2"	White (0), Black (1)	900	18
125-0120P	Flex - 2" x 100 ft.	White (0), Black (1)	900	9
120-0250P	Flex - 2" thin	White (0), Black (1)	900	18
120-0170P	Flex - 3"	White (0), Black (1), Gray (7)	400	8



# POWER Defender 110 SINGLE SPEED PUMP

Model #: PD-110

**NEW!**



*Comes complete with 2 self-aligning pump unions*

**FEATURES:**

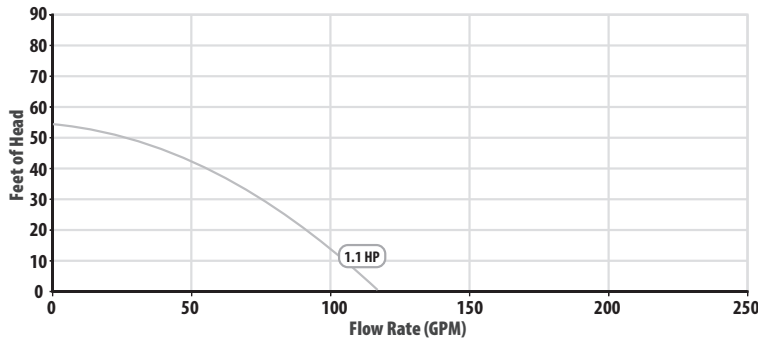
- One of the quietest pumps in the industry
- 1.10 HP single speed
- Direct drop-in replacement for Super Pump® / SuperFlo®
- D.O.E. and C.E.C. compliant
- Silicon carbide Viton shaft seals provide for superior wear and chemical resistance



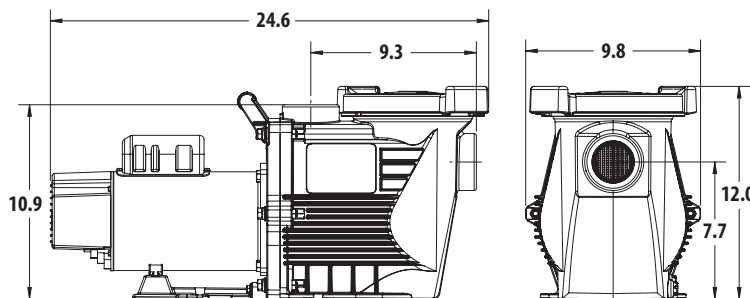
*For unions, see page 38.  
For pump base, see page 35.  
For replacement parts, see page 199.*

Pool Pumps

**Power Defender 1.10 HP – Performance Curves**



**Comes with base for IntelliFlo®**



Smart **energy solutions** for the Pool & Spa industry.

**Power Defender 110 - Single Speed Pump**

Part No.	Description	Volts	Total HP
PD-110	Power Defender 1.10 HP single speed pump	110/230	1.10 Total HP



# Pool Pumps - In-Ground / Power Defender 140 Variable Speed Dual Voltage

## POWER Defender 140 VARIABLE SPEED DUAL VOLTAGE PUMP

Model #: PD-140



For replacement parts, see page 199.  
For pump base, see page 35.  
For unions, see page 38.

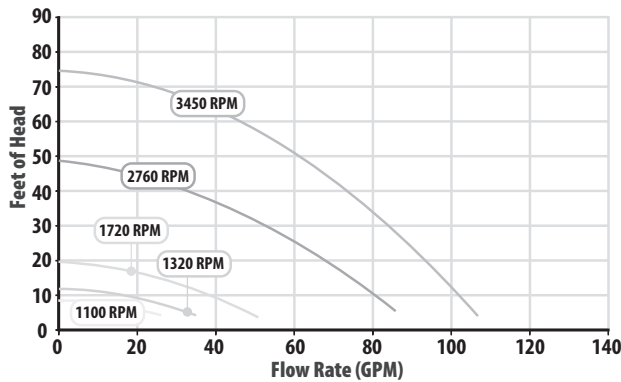
Comes complete with 2 self-aligning pump unions

### Features:

- Pump is pressure rated up to 50 PSI
- Changes from 230V to 115V at the flip of a switch
- No drop in horsepower at either voltage!
- High performance & ultra quiet variable speed pool pump provides you with optimal energy savings
- D.O.E. and C.E.C. compliant
- Built-in freeze protection
- Direct drop in replacement for both Super Pump® and IntelliFlo® plumbing
- Silicon carbide Viton shaft seals provide for superior wear and chemical resistance

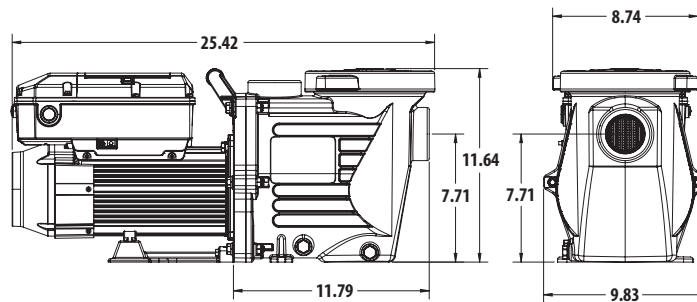
Pool Pumps

### Power Defender 1.40 HP – Performance Curves



Comes with base for IntelliFlo®

Smart energy solutions for the Pool & Spa industry.



### Power Defender 140 - Variable Speed, Dual Voltage Pump

Part No.	Description	Volts	Total HP
PD-140	Power Defender 1.40 HP variable speed pump	115/230	1.40



# POWER Defender 165 VARIABLE SPEED PUMP

Model #: PD-165



*Comes complete with 2 self-aligning pump unions*

*For replacement parts, see page 199.*

*For pump base, see page 35.*

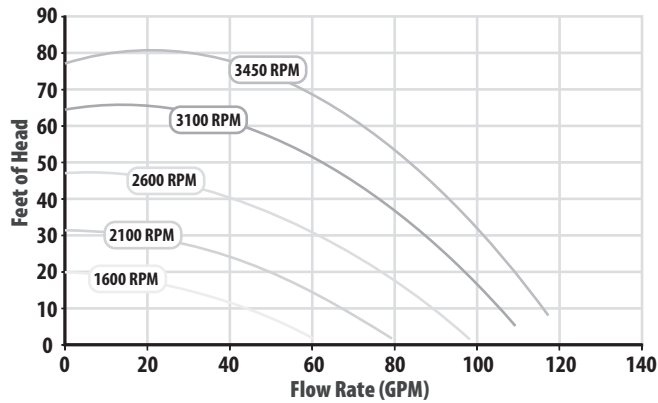
*For unions, see page 38.*

**Features:**

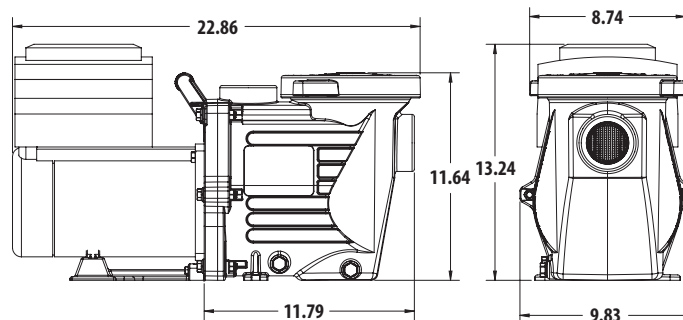
- Pump is pressure rated up to 50 PSI
- Automatically selects voltage once powered to 230v or 115v
- No drop in horsepower at either voltage!
- High performance & ultra quiet variable speed pool pump provides you with optimal energy savings
- D.O.E. and C.E.C. compliant
- Built-in freeze protection
- Direct drop in replacement for both Super Pump® and IntelliFlo® plumbing
- Silicon carbide Viton shaft seals provide for superior wear and chemical resistance
- Ability to install and program additional load (booster pump, chlorine generator)

Pool Pumps

**Power Defender 1.65 HP – Performance Curves**



Comes with base for IntelliFlo®



Smart **energy solutions** for the Pool & Spa industry.

**Power Defender 165 - Variable Speed Pump**

Part No.	Description	Volts	Total HP
PD-165	Power Defender 1.65 HP variable speed pump	115/230	1.65 Total HP



# Pool Pumps - In-Ground / Power Defender 225 Variable Speed

## POWER Defender 225 VARIABLE SPEED PUMP

# NEW!



Model #: PD-225

*Comes complete with 2 self-aligning pump unions*

### Features:

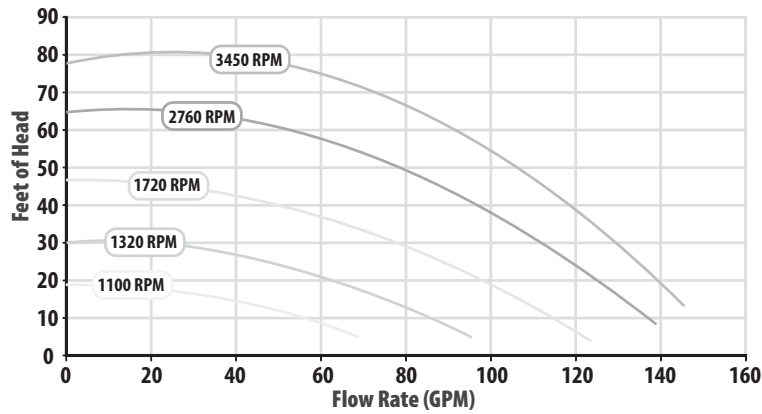
- Pump is pressure rated up to 50 PSI
- High performance & ultra quiet variable speed pool Pump provides you with optimal energy savings.
- D.O.E. and C.E.C. compliant
- Built-in freeze protection
- Direct drop in replacement for both Super Pump® and IntelliFlo® plumbing
- Ability to install and program additional load (booster pump, chlorine generator)
- Silicon carbide Viton shaft seals provide for superior wear and chemical resistance



*For replacement parts, see page 199.  
For pump base, see page 35.  
For unions, see page 38.*

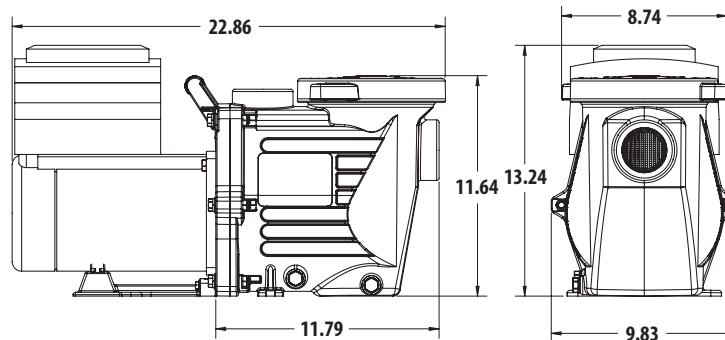
Pool Pumps

### Power Defender 2.25 HP – Performance Curves



Comes with base for IntelliFlo®

Smart energy solutions for the Pool & Spa industry.



### Power Defender 225 - Variable Speed Pump

Part No.	Description	Volts	Total HP	Weight (lbs.)
PD-225	Power Defender 2.25 HP variable speed pump	230	2.25 Total HP	60





# POWER Defender 270 VARIABLE SPEED PUMP

Model #: PD-270



*Comes complete with 2 self-aligning pump unions*

**Features:**

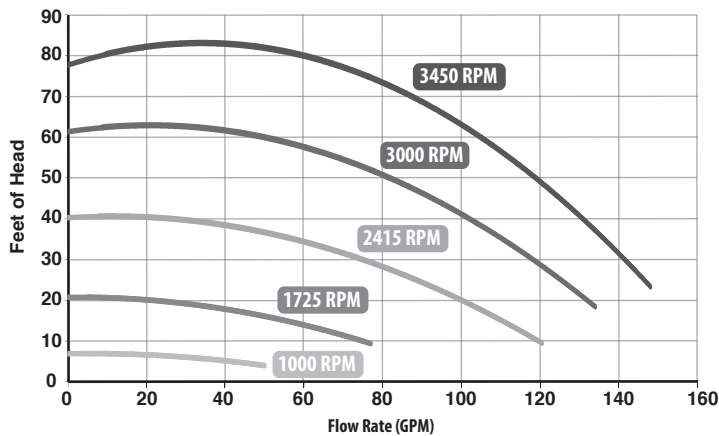
- Pump is pressure rated up to 50 PSI
- User-friendly programming
- Optional off-board mounting of controls.
- Ability to install and program additional load (booster pump, chlorine generator)
- Display is easy to view in any light
- D.O.E. and C.E.C compliant
- Built-in freeze protection
- Silicon carbide Viton shaft seals provide for superior wear and chemical resistance



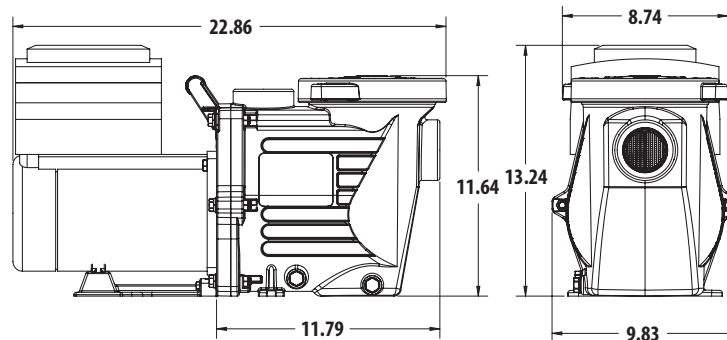
*For replacement parts, see page 199.  
For pump base, see page 35.  
For unions, see page 38.*

Pool Pumps

**Power Defender 2.7 HP Pump - Performance Curves**



**Comes with base for IntelliFlo®**



Smart **energy solutions** for the Pool & Spa industry.

**Power Defender 270 - Variable Speed Pump**

Part No.	Description	Volts	Total HP	Weight (lbs.)
<b>PD-270</b>	Power Defender 2.7 HP variable speed pump	230	2.7 Total HP	60



# Pool Pumps - In-Ground / Power Defender 350 Variable Speed

# NEW!

## POWER Defender 350 VARIABLE SPEED PUMP

Model #: PD-350



Comes complete with 2 self-aligning pump unions

### Features:

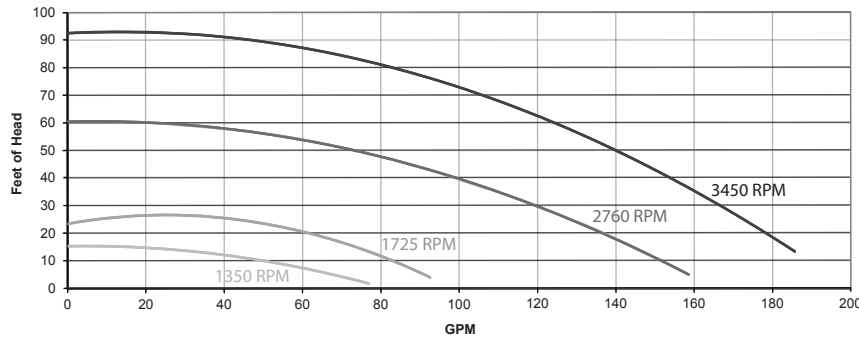
- Pump is pressure rated up to 50 PSI
- User-friendly programming
- Optional off-board mounting of controls.
- Ability to install and program additional load (booster pump, chlorine generator)
- Display is easy to view in any light
- D.O.E. and C.E.C compliant
- Built-in freeze protection
- Silicon carbide Viton shaft seals provide for superior wear and chemical resistance



For replacement parts, see page 199.  
For pump base, see page 35.  
For unions, see page 38.

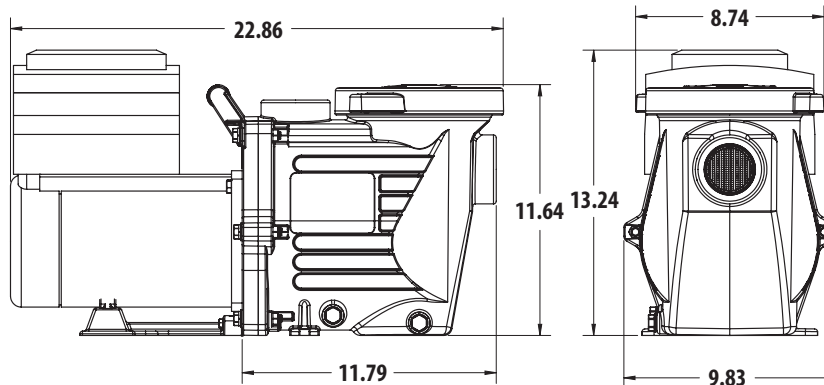
Pool Pumps

WATERWAY PD-350 Power Defender



Comes with base for IntelliFlo®

Smart energy solutions for the Pool & Spa industry.



### Power Defender 350 - Variable Speed Pump

Part No.	Description	Volts	Total HP	Weight (lbs.)
PD-350	Power Defender 3.50 HP Variable Speed Pump	230	3.5 Total HP	60



# POWER Defender SVL270

## VARIABLE SPEED PUMP

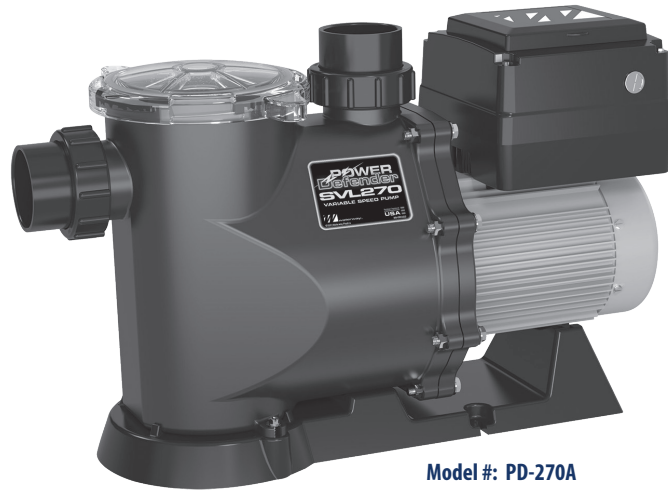
**NEW!**



*Comes complete with 2 self-aligning pump unions*

**Features:**

- Pump is pressure rated up to 50 PSI
- 2½" plumbing
- 2.70 HP
- Built-in freeze protection
- Auxiliary relay option
- Silicon carbide Viton shaft seals provide for superior wear and chemical resistance
- User-friendly programming
- D.O.E. and C.E.C compliant
- Ability to install and program additional load (booster pump, chlorine generator)
- Display is easy to view in any light

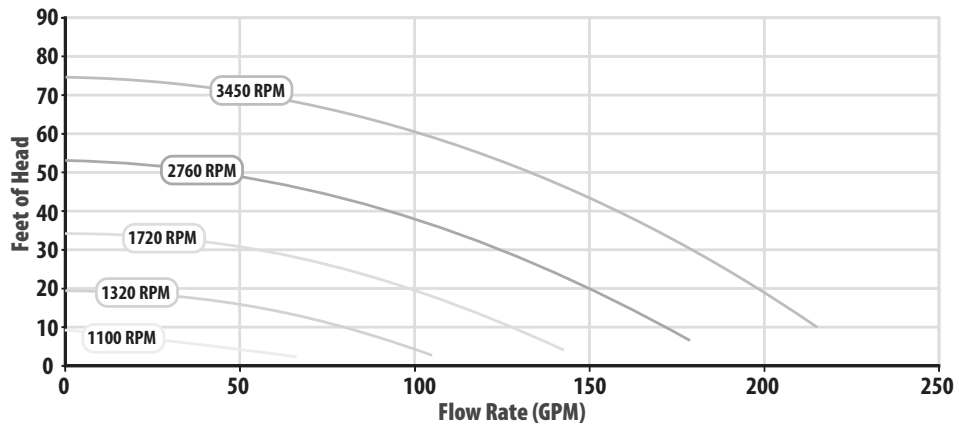


**Model #: PD-270A**

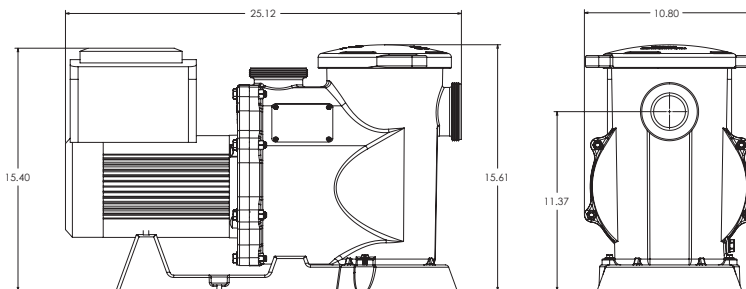
*For replacement parts, see page 200.*

Pool Pumps

**Power Defender SVL 2.70 HP – Performance Curves**



Smart **energy solutions** for the Pool & Spa industry.



**Power Defender SVL270 - Variable Speed Pump**

Part No.	Description	Volts	Total HP
<b>PD-270A</b>	Power Defender 2.70 HP Variable Speed Pump	230	2.7 Total HP



## Pool Pumps - In-Ground / Power Defender Booster Pump

# POWER Defender BOOSTER

### Features:

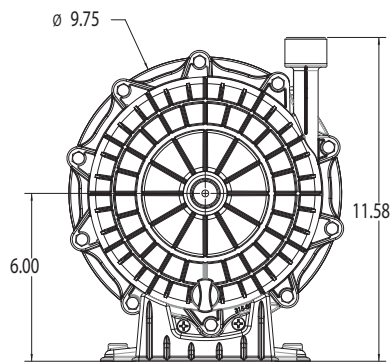
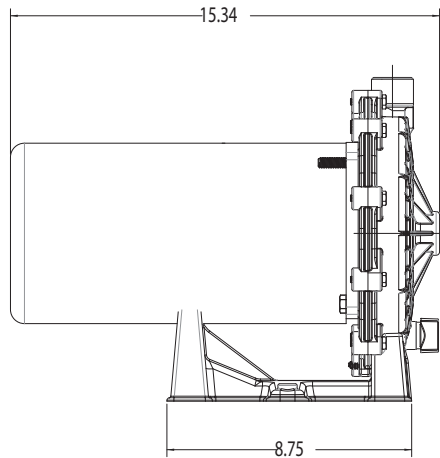
- Suitable for all swimming pool pressure cleaners
- Best replacement for any ¾ HP booster pump
- Optimized for reliability, durability and performance
- Comes with a tall, versatile mounting base
- Equipped with a high performance square flange ¾ HP, 230/115 V motor. Provides extra quiet, long life operation and optimum performance.
- Maintains one of the highest head pressures in the industry



For replacement parts, see page 198.  
For unions, see page 38.



*Comes with everything you need to install or retrofit the pump: reinforced flexible pump hose, hose barb adaptors and clamps.*



### Power Defender Booster Pump

Part No.	Description	Volts	HP
<b>3810430-1PDA</b>	Booster Pump 60 HZ with connectors and hose kit	115/230 V	¾ HP
<b>550-8700</b>	Hose, Fitting And Clamp Kit (4)	N/A	N/A

**POWER Defender**  
**140 ABG**  
 VARIABLE SPEED PUMP



**Features:**

- Pump is pressure rated up to 50 PSI
- High performance & ultra quiet variable speed pool & spa pump provides you with up to 90% energy savings
- Totally enclosed permanent magnet motor
- No drop in horsepower at either voltage!
- Dual voltage capabilities
- Silicon carbide Viton shaft seals provide for superior wear and chemical resistance



**Model #: PD-140 ABG**

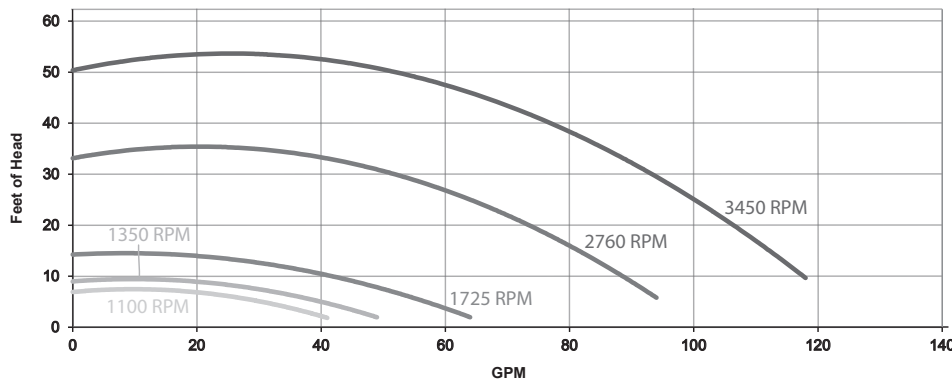


*For replacement parts, see page 203.  
 For unions, see page 38.*

Pool Pumps

Smart **energy solutions** for the Pool & Spa industry.

**Power Defender 140ABG – Performance Curves**



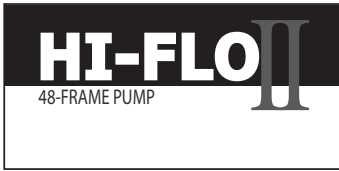
**Power Defender 140 Above Ground - Variable Speed Pump**

Part No.	Description	Volts	HP
<b>PD-140ABG</b>	Power Defender variable speed, dual voltage, 1.40 HP for above ground pools	115/230	1.4 Total HP





# Pool Pumps - Above Ground / Hi-Flo II Side Discharge - 48-Frame



### Features:

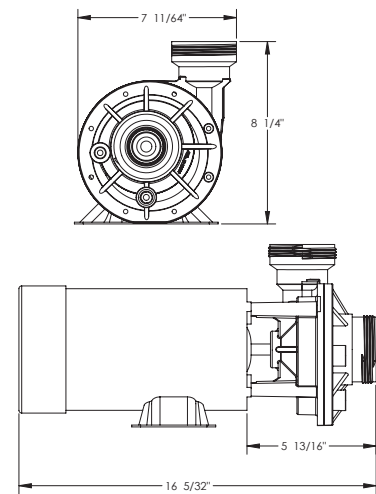
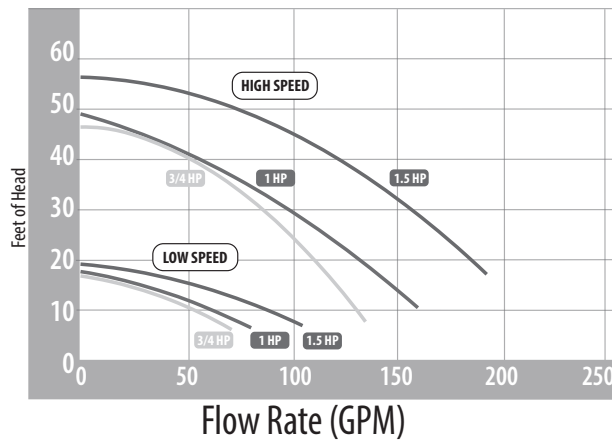
- Intake - 1 1/2" union threads/1 1/2" FPT
- Discharge - 2" union threads/ 1 1/2" FPT
- Large 6" pump trap with 2-piece lid
- Wet end rotates for easy installation with either vertical or horizontal position



For replacement parts, see page 204.

Pool Pumps

The Hi-Flo II Above Ground pump was designed for superior performance. The Hi-Flo II pump features high flow rate performance for faster filtering cycles. This pump is ideal for new installations or as a replacement pump.



Hi-Flo II Side Discharge 48-Frame Above Ground Pool Pump and Trap				
Part No.	Description	Volts	HP SPL	WEF(Weighted Energy Factor)
SD-07-1-T*	1-speed - 3 ft. twist-lock cord	115	1.0	3.99
SD-10-1-T*	1-speed - 3 ft. twist-lock cord	115	1.5	3.759
SD-07-1-N*	1-speed - 3 ft. NEMA cord	115	1.0	3.99
SD-10-1-N*	1-speed - 3 ft. NEMA cord	115	1.5	3.759
SD-07-2-T*	2-speed - 3 ft. twist-lock cord	115	1.0	6.158
SD-10-2-T*	2-speed - 3 ft. twist-lock cord	115	1.5	6.059
SD-07-2-N*	2-speed - 3 ft. NEMA cord	115	1.0	6.158
SD-10-2-N*	2-speed - 3 ft. NEMA cord	115	1.5	6.059

\*NOTE: for Horizontal Hi-Flo II, need to add a "-H" at the end  
 1-speed pumps have an on/off toggle switch. 2-speed pumps have a hi/lo/off toggle switch included.  
 NEMA cord is 3 prong grounded. All power cords are 3' in length.

# Crystal Water

**Features:**

- NSF listed
- 2 ½" internal piping
- Fiberglass reinforced polypropylene body for superior strength
- Industry-proven D.E. grids
- "Start-service" dial on stainless steel pressure gauge
- 1 ½" bottom clean-out port
- 2 ½" hi-temp PVC slide valve available
- 2 ½" x 2" Multi-Port Valves – available in slip or FPT
- Convertible to cartridge by simply changing internals



**Heavy Duty  
Manual Air  
Relief Valve!**

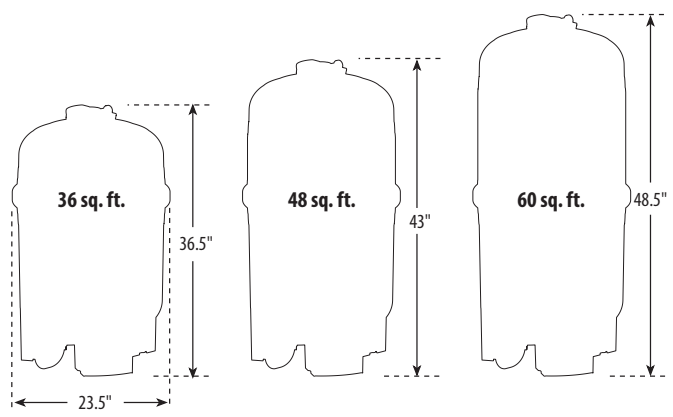
**Flexible & sturdy,  
3 segmented  
band clamp!**



For replacement parts, see page 224.

**IMPROVED!**

**Filters / Filter Systems**



*Designed for today's most demanding installations, the Crystal Water D.E. Filter sets the standard of performance and features for pool filters. The only D.E. filter on the market with 2 ½" internal piping, it improves flow and reduces system noise when using 2 ½" or 2" plumbing. With the 2" bottom clean out port, the Crystal Water D.E. Filter will provide years of trouble-free operation and crystal clear, sparkling water.*

### Crystal Water D.E. Filters

Part No.	Size	Flow Rate	Pool Turnover (6 hrs.)	Pool Turnover (8 hrs.)	Weight (lbs.)
<b>570-0036-07</b>	36 sq. ft.	72 GPM	25,920	34,560	70
<b>570-0048-07</b>	48 sq. ft.	96 GPM	34,560	46,080	80
<b>570-0060-07</b>	60 sq. ft.	120 GPM	43,200	57,600	90



**NEW!**

### Valves for D.E. Filters

Part No.	Description	Weight (lbs.)	Case Quantity
<b>600-1500</b>	2 ½" Hi-Temp PVC Slide Valve Assembly (2" reducers included)	11	1
<b>550-4280</b>	Slide Valve Adapter Fitting Package for D.E. / Cartridge Filter (2" reducers included)	--	1
<b>WVD001</b>	Multi-Port Valve with Union Connections - 2" FPT	13	1
<b>WVD002</b>	Multi-Port Valve with Union Connections - 2" Socket	13	1
<b>400-5270</b>	2 ½" Split Nut	--	30



## Pool Filters - In-Ground / Crystal Water - Cartridge

# Crystal Water



### IMPROVED!

#### Features:

- NSF listed
- 2 1/2" internal piping
- 2 1/2" valve bulkhead unions (includes 2" reducers)
- Fiberglass reinforced polypropylene body for superior strength
- Industry proven quad-cartridge elements layout
- "Start-service" dial on stainless steel pressure gauge
- 1 1/2" bottom clean-out port
- Convertible to D.E. by simply changing internals

**Heavy Duty  
Manual Air  
Relief Valve!**



**Flexible & sturdy,  
3 segmented  
band clamp!**

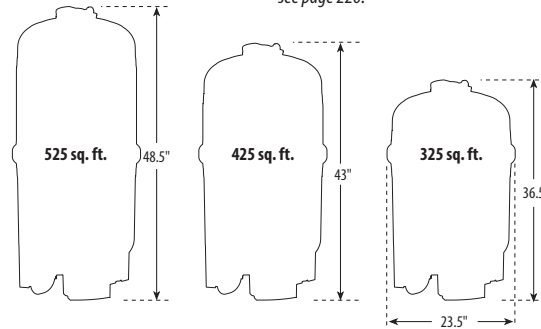
Filters / Filter Systems

Combining high tech features and an easy to service design, the Crystal Water Cartridge Filter is ideal for new and replacement installations. The only cartridge filter on the market with 2 1/2" internal piping, it improves flow and reduces system noise when using 2 1/2" or 2" plumbing. Using four cartridge elements, the Crystal Water Cartridge Filter offers a superior choice for easy maintenance and crystal clear, clean water.



Cluster of 4 cartridge elements for ease of maintenance and longer cleaning cycles.

For replacement parts, see page 226.



### Crystal Water Cartridge Filters

Part No.	Size	NSF Flow Rate	Pool Turnover (6 hrs.)	Pool Turnover (8 hrs.)	Weight (lbs.)
570-0325-07	325 sq. ft.	112 GPM	43,200	57,600	74
570-0425-07	425 sq. ft.	150 GPM	54,000	72,000	84
570-0525-07*	525 sq. ft.	150 GPM	54,000	72,000	92

\* Ideal for longer cleaning cycles

400-9974B



### Bulkhead Fittings

Part No.	Description	Weight (lbs.)	Case Quantity
421-4071B	Reducer - 1 1/2" to 2"	--	--
421-4201B	Reducer - 2 1/2" to 2"	--	--
415-4211B	2 1/2" Union Nut (2 required)	--	--
417-2201B	2 1/2" Tailpiece with Piston O-Ring Groove (2 required)	--	--
805-0232B	O-Ring - 2 1/2" Union (4 required - 2 for each Bulkhead)	--	--

# CLEAR WATER II

**Features:**

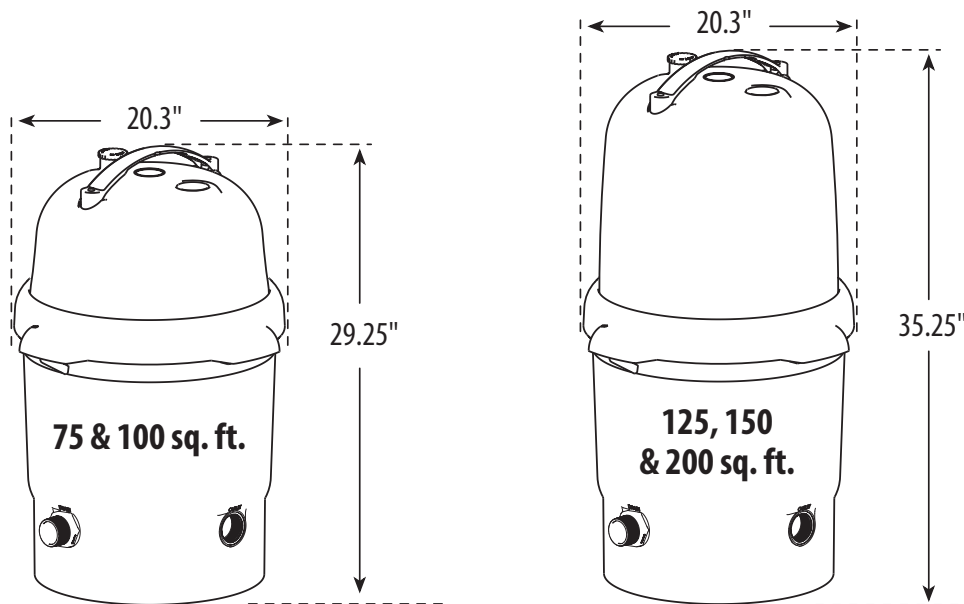
- Wide-body filtration system
- Durable glass-filled polymer filter body
- 1 1/2" clean out drain on 1 1/2" FPT
- Flush-mounted stainless steel pressure gauge
- Low-profile air relief plug
- Heavy-duty lid handle



Large filtration, small footprint and high flow. ClearWater II cartridge filters incorporate wide-body filtration elements to give maximum filtration without sacrificing flow rate. Made of a durable glass-filled polymer, ClearWater II cartridge filters provide years of trouble free performance. ClearWater II cartridge filters feature Waterway's safety lock ring system to ensure safe operation and easy maintenance.

For replacement parts, see page 227.  
For equipment bases, see page 35.

Filters / Filter Systems



### ClearWater II Cartridge Filters

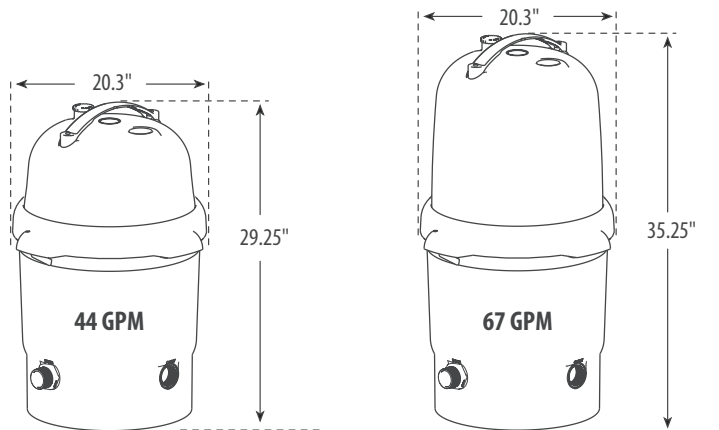
Part No.	Filtration Area	Flow Rate	Pool Turnover (6 hrs.)	Pool Turnover (8 hrs.)	Weight (lbs.)
<b>FC0757</b>	75 sq. ft.	75 GPM	27,000	36,000	46
<b>FC1007</b>	100 sq. ft.	100 GPM	36,000	48,000	34
<b>FC1257</b>	125 sq. ft.	125 GPM	45,000	60,000	34
<b>FC1507</b>	150 sq. ft.	150 GPM	54,000	72,000	59
<b>FC2007*</b>	200 sq. ft.	150 GPM	54,000	72,000	36

# CLEAR WATER II DE

*True Spiral Laminar flow in an above ground filter. Spiral Laminar flow ensures even distribution of D.E. for maximum filtration. The ClearWater D.E. filter features automatic hydraulic regeneration, Waterway's Safety Lock Ring system for safe operation and maintenance, and a ten year warranty on its rugged glass-filled polymer body.*

**FEATURES:**

- True Spiral Laminar flow for even disbursement of D.E.
- Automatic hydraulic regeneration
- High flow rate
- Modular grid system for easy maintenance
- Union gate valve with 1 1/2" hose adapter drain shut off
- Flush-mounted stainless steel pressure gauge
- Low-profile air relief plug
- Automatic air bleed capability
- Heavy-duty lid handle



For equipment bases, see page 35.

### ClearWater II D.E. Filters

Part No.	Description	Filtration Area	Pool Turnover (6 hrs.)	Pool Turnover (8 hrs.)	Weight (lbs.)
<b>FD12-7</b>	44 GPM Filter	12 sq. ft.	15,840	21,120	34
<b>FD18-7</b>	67 GPM Filter	18 sq. ft.	24,120	32,160	39

### ClearWater II D.E. Accessories

Part No.	Description	Weight (lbs.)	Case Quantity
<b>672-7211</b>	ClearWater Modular Filter Base - 7" x 23" Diameter	29	1
<b>429-7300</b>	Pin and Anchor Assembly Kit for Base	1	1



**PROCLEAN PLUS**  
CARTRIDGE FILTER

**Features:**

- NSF listed
- 2" FPT inlet and 2" or 2 1/2" S outlets for more flow
- Raised inlet for clean easy plumbing
- Waterway's safety lock ring system for fast, easy access to filter internals
- Internal design for more dirt holding capacity for longer cleaning cycles
- Drain plug is 1"

*Choose Waterway's ProClean Plus in-ground pool filter with above ground Hi-Flo II for an exceptional above ground system.*



Filters / Filter Systems

ProClean Plus Single Cartridge Systems - Hi-Flo II Pump - 2-Speed			
Part No.	Pump Description	HP SPL	Cord
520-6000-6S	Hi-Flo II, 1 speed	1.0	3ft. NEMA
522-6000-6S	Hi-Flo II, 2 speed	1.5	3ft. NEMA
522-6215-6S	Hi-Flo II, 2 speed	1.5	3ft. NEMA
522-6315-6S	Hi-Flo II, 2 speed	1.5	3ft. NEMA



## Pool Filters / TWM Cartridge Filter / TWM-30 Series Systems

# TWM

TOTAL WATER MANAGEMENT

The economical solution for filtering an above ground pool. Waterway's TWM (Total Water Management) package includes the pump, filter, hoses, and equipment pad.

### Features:

- 50 or 100 sq. ft. cartridge filter with drain plug
- Center discharge pool pump - single speed
- 3 ft. NEMA (3-prong, grounded) cord
- Two 6 ft. x 1 1/2" hoses with connectors
- Equipment pad



For replacement parts, see page 229.

### TWM Cartridge Filter Equipment Packages

Part No.	Description	HP	Volts	Cord
<b>522-4030</b>	100 sq. ft. filter - 2-speed pump with trap	1.0	115	3 ft. NEMA
<b>520-4010</b>	50 sq. ft. filter - 1-speed pump with trap	1.0	115	3 ft. NEMA

All power cords are 3' in length.



### Features:

- 25 sq. ft. cartridge filter
- 1/8 HP high performance pump with trap
- 3 ft. NEMA cord
- 30 GPM flow rate
- Two 3 ft. x 1 1/2" hoses with connectors
- Equipment pad
- Includes Intex connection fittings



Intex connection fittings



### TWM-30 Above Ground Cartridge Filter System

Part No.	Description	Flow Rate	Turnover (24 hrs.)	Weight (lbs.)	Cord
<b>520-4070</b>	25 sq. ft. filter - 1/8 HP pump	1800 GPH	43,200 gals.	30	3 ft. NEMA
<b>400-6437</b>	Intex connection fittings	--	--	--	--



# TWM-30

**Features:**

- 16 in. sand filter
- ½ HP high performance pump with trap
- 3 ft. NEMA cord
- Two 6 ft. x 1 ½" hoses with connectors
- Equipment pad
- Includes InTex connection fittings



InTex connection fittings



Filters / Filter Systems

## TWM-30-S Sand Filter System

Part No.	Description	Flow Rate	Turnover (24 hrs.)	Weight (lbs.)	Cord
<b>520-1601</b>	16 in. filter - ½HP pump	1800 GPH	43,200 gals.	56	3 ft. NEMA

*Designed to isolate the above-ground pool system to aid in maintenance and service, No-Flo valves install easily.*

**Features:**

- Valve action
- 1 ½" on one side and 1 ½" smooth hose on the other
- Comes with plastic clip so handle can be locked open



600-6200



880-1530

## No-Flo Gate Valves

Part No.	Description	Case Weight	Case Quantity
<b>880-1530</b>	1 ½" MIP slice valve - 1 ½" hose		30
<b>600-6200</b>	Hose adapter check valve assy		



## Pool Filters - In-Ground & Above Ground / Carefree Top-Mount - Sand



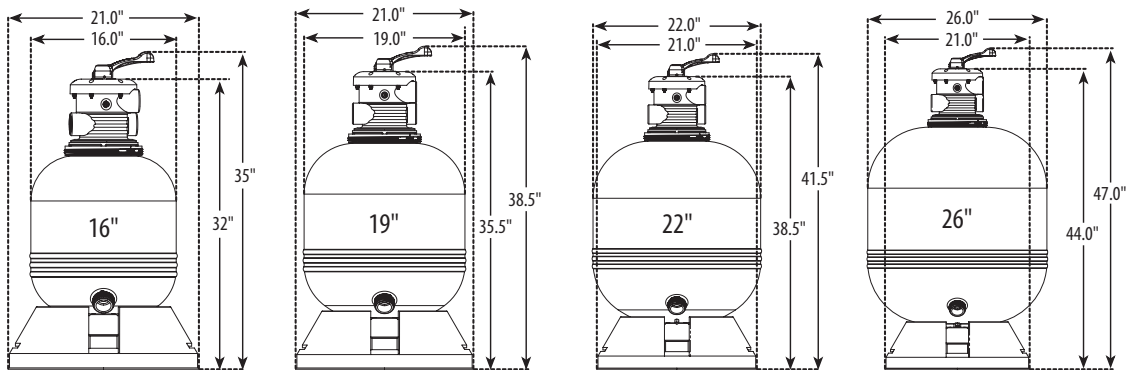
Carefree top-mount sand filters are designed for extra sand holding capacity. Made of corrosion-proof polymeric thermoplastic, the Carefree sand filter offers the ideal combination of high performance and excellent water clarity. This filter is an excellent choice for above ground or in-ground pools.

### Features:

- Large filter with extra sand-holding capacity
- Durable roto-molded oval tank body distributes pressure evenly, resulting in greater strength and longer life of the filter
- One-piece corrosion proof body
- High flow internal diffuser for even water distribution
- 7- function top-mount 1 1/2" FPT multi-port valve with split-nut lock union (WWS003)
- 1 1/2" drain port
- Mounting base included



For replacement parts, see page 234-235.  
For equipment bases, see page 35.



### Sand Required

16" - 100 lbs.

19" - 150 lbs.

22" - 250 lbs.

26" - 300 lbs.

### Carefree Top-Mount Sand Filters

Part No.	Description	Multi-Port Valve Style	Filtration Area	Flow Rate	Pool Turnover (6-8-10 hrs.)	Weight (lbs.)
<b>FS016197</b>	16" diameter filter w/modular base	1 1/2" FPT split-nut	1.4 sq. ft.	35 GPM	12,600 - 16,800 - 21,000	34
<b>FS019227</b>	19" diameter filter w/modular base	1 1/2" FPT split-nut	2.0 sq. ft.	45 GPM	16,200 - 21,600 - 27,000	43
<b>FS022257</b>	22" diameter filter w/modular base	1 1/2" FPT split-nut	2.6 sq. ft.	55 GPM	19,800 - 26,400 - 33,000	54
<b>FS02629</b>	26" diameter filter w/modular base	1 1/2" FPT split-nut	3.5 sq. ft.	70 GPM	25,200 - 33,600 - 42,000	71
<b>FS02629-B</b>	26" diameter filter w/modular base	2" FPT split-nut	3.5 sq. ft.	70 GPM	25,200 - 33,600 - 42,000	71



**Features:**

- Large filter with extra sand-holding capacity
- Hi-Flo II high performance single and dual speed pump
- Large 6" pump trap with 2-piece lid
- Standard pump and filter base
- Fittings package for all connections



*Carefree Sand Filter Systems are designed with the ideal combination of high performance and excellent water clarity. The Carefree Sand Filter and Pump Pack System provides everything needed for an above ground pool package.*

Filters / Filter Systems

**Carefree Sand Standard System with Hi-Flo II**

Part No.	Diameter	Pump Description	HP SPL	Cord
520-5307-3S	16"	Hi-Flo II, 1 speed	1.0	3 ft. TL
520-5307-6S	16"	Hi-Flo II, 1 speed	1.0	3 ft. NEMA
520-5337-3S	19"	Hi-Flo II, 1 speed	1.5	3 ft. TL
520-5337-6S	19"	Hi-Flo II, 1 speed	1.5	3 ft. NEMA
520-5347-3S	22"	Hi-Flo II, 1 speed	1.5	3 ft. TL
522-5337-3S	19"	Hi-Flo II, 2 speed	1.5	3 ft. TL
522-5337-6S	19"	Hi-Flo II, 2 speed	1.5	3 ft. NEMA

All power cords are 3' in length.

**INCLUDES:**

- 2 hoses (1 1/2" x 6 ft.)
- Filter / pump hose with union adapters, hose fittings and hose clamps
- 3 ft. cord Twist-Lock plug (NEC/UL), or 3 ft. cord NEMA plug
- Standard system base

# Pool Filters - Above Ground / ClearWater - Sand

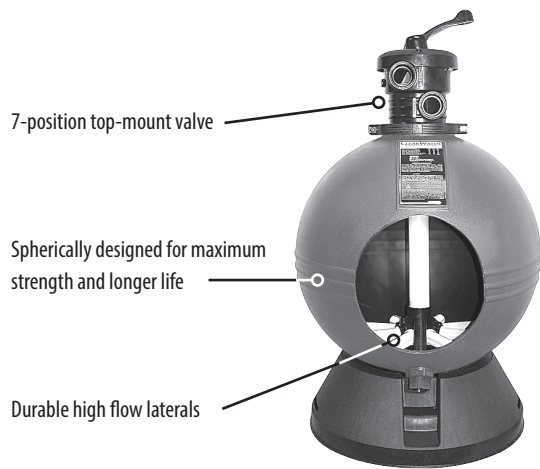


Filters / Filter Systems

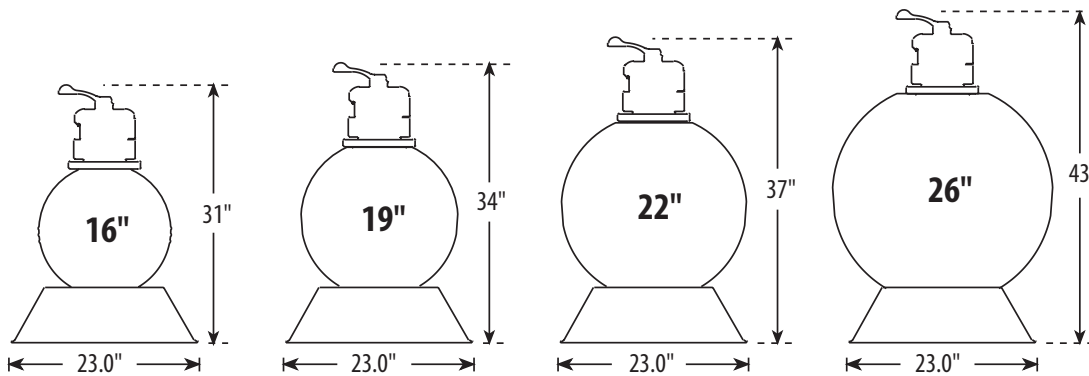
*Rugged, corrosion proof, high filtration area, and one-piece body. The ClearWater Sand filter features a seven-function top mount valve for maximum control over the filter system, and full flow, self cleaning laterals with large surface area for maximum flow. This filter is an excellent choice for above ground or in-ground pools.*

**Features:**

- Durable roto-molded tank body is spherical to evenly distribute pressure, resulting in greater strength and longer life of the filter
- Corrosion-proof body
- High Flow internal diffuser for even water distribution
- 7-function top-mount 1 1/2" FPT multi-port valve with split-nut lock union
- 1 1/2" drain port
- Mounting base included



*For replacement parts, see page 236-237.  
For equipment bases, see page 35.*



**Sand Required**

16" - 50 lbs.

19" - 100 lbs.

22" - 150 lbs.

26" - 200 lbs.

**ClearWater Sand Filter**

Part No.	Description	Filtration Area	Flow Rate	Pool Turnover (6 hrs.)	Pool Turnover (8 hrs.)	Weight (lbs.)
<b>FS016</b>	16" diameter Filter	1.4 sq. ft.	35 GPM	12,600	16,800	25
<b>FS019</b>	19" diameter Filter	2.0 sq. ft.	45 GPM	16,200	21,600	28
<b>FS022</b>	22" diameter Filter	2.6 sq. ft.	55 GPM	19,800	26,400	34
<b>FS026</b>	26" diameter Filter	3.5 sq. ft.	70 GPM	25,200	33,600	43

*1 1/2" FPT split-nut style clamp included.*





**Features:**

- Large filtration sand filter with durable, high flow laterals
- Hi-Flo II high performance single and dual speed pump
- Large 6" pump trap with 2-piece lid
- Union connection on multi-port for easy installation
- Two 1 1/2" diameter hoses with clamps



*Complete your Sand filtration system with the high performance Waterway Hi-Flo II Pump and accessories. The Sand Filter and Pump Pack provides homeowners with everything they need to get their system up and running. It assures them of matched components and optimal performance with years of dependable service.*

Filters / Filter Systems

**ClearWater Sand Standard System with Hi-Flo II**

Part No.	Diameter	Pump Description	HP SPL	Cord
520-5207-3S	16"	Hi-Flo II, 1 speed	1.0	3 ft. Twist Lock
520-5207-6S	16"	Hi-Flo II, 1 speed	1.0	3 ft. NEMA
520-5237-3S	19"	Hi-Flo II, 1 speed	1.5	3 ft. Twist Lock
520-5237-6S	19"	Hi-Flo II, 1 speed	1.5	3 ft. NEMA
520-5247-3S	22"	Hi-Flo II, 1 speed	1.5	3 ft. Twist Lock
520-5247-6S	22"	Hi-Flo II, 1 speed	1.5	3 ft. NEMA
522-5237-3S	19"	Hi-Flo II, 2 speed	1.5	3 ft. Twist Lock
522-5237-6S	19"	Hi-Flo II, 2 speed	1.5	3 ft. NEMA
522-5247-3S	22"	Hi-Flo II, 2 speed	1.5	3 ft. Twist Lock
522-5247-6S	22"	Hi-Flo II, 2 speed	1.5	3 ft. NEMA

**INCLUDES:**

- 2 hoses (1 1/2" x 6 ft.)
- Filter / pump hose with union adapters, hose fittings and hose clamps
- 3 ft. cord Twist-Lock plug (NEC/UL), or 3 ft. cord NEMA plug
- Standard system base





## Notes

Notes

---

---

---

---

---

---

---

---

---

---

---

---

---

---

---

---

---

---

---

---

---

---

---

---

---

---

---

---

---



**Comes complete with 2 Self-Aligning Pump Unions & Base**



Comes with base for IntelliFlo®

**Features:**

- Heavy duty and ultra quiet variable speed pump
- State-of-the-art, intuitive and easy to program and operate control panel
- Sturdy adaptor base provides for drop in replacement for Super Pump®, IntelliFlo® and most other pool pump brands
- Silicon carbide Viton Shaft Seals provide for superior wear, chemical and salt resistance
- Easy to service and maintain
- UL listed
- D.O.E. and C.E.C. Compliant
- Mustang 140 is energy star rated

**NEW!**



Model #: MS-140

International Pumps

**Coming Soon!**



Model #: MS-165

**NEW!**



Model #: MS-270



**Mustang Pumps**

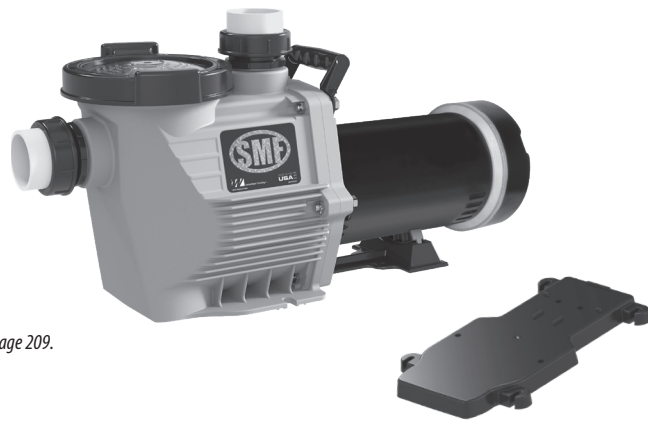
Part No.	Description
<b>MS-140</b>	Mustang Variable Speed, Dual Voltage, 1.40 HP for In-Ground Pools
<b>MS-165</b>	Mustang Variable Speed, 1.65 HP for In-Ground Pools
<b>MS-270</b>	Mustang Variable Speed, Dual Voltage, 2.70 HP for In-Ground Pools



## International & CSA / International SMF Pump / CSA Hi-Flo II Pump



### Comes complete with 2 Self-Aligning Pump Unions & Base

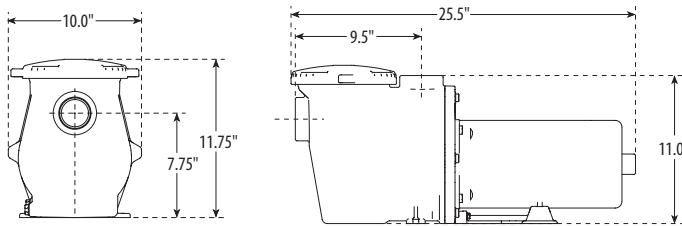


For replacement parts, see page 209.  
For pump base, see page 35.  
For unions, see page 38.

Comes with base for IntelliFlo®

#### FEATURES:

- Super quiet operation
- 2" self aligning unions included (Intake/Discharge)
- One piece pot and volute reduce noise
- Lower flow rates for more versatile installations
- 1.5" x 2" Bushings included
- Silicone carbide viton seals



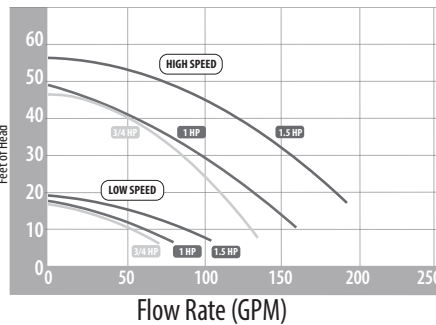
International & CSA Pumps

### SMF - 1-Speed Pumps

Part No.	Description	Volts	HP	Weight (lbs.)
<b>SMF-107I</b>	1-Speed	115/208-230	¾	38
<b>SMF-110I</b>	1-Speed	115/208-230	1.0	43
<b>SMF-115I</b>	1-Speed	115/208-230	1.5	47
<b>SMF-120I</b>	1-Speed	208-230	2.0	48



The Hi-Flo II above ground pump was designed for high performance. The Hi-Flo II pump features high flow rate performance for faster filtering cycles. This pump is ideal for new installations or as a replacement pump.



#### Features:

- 1 ½" union threads / 1 ½" FPT intake and 2" union threads / 1 ½" FPT discharge
- Weatherproof motor housing
- On / Off toggle switch
- Large 6" pump trap with 2-piece lid
- 25 ft. cord with 3-prong NEMA (regular) plug
- Meets Canadian Standard Association (CSA) requirements



For replacement parts, see page 210.

### CSA Hi-Flo II Side Discharge 48-Frame Above Ground Pool Pumps

Part No.	Description	Volts	HP	Amps	Weight (lbs.)
<b>PHC1100-25</b>	1-Speed - 25 ft. Cord	115	1.0	10.3	28
<b>PHC1100-25R</b>	1-Speed - 25 ft. Cord Horizontal	115	1.0	10.3	28



# CLEAR WATER II

**Features:**

- Small footprint cartridge filter
- Top of the line Hi-FloII high performance pump
- Extra large 7" pump trap with clear lid
- Two 1 1/2" diameter hoses with clamps
- Filter and pump mounting base
- Complete fitting package for all connections
- Meets Canadian Standard Association (CSA) requirements

**Includes:**

- 2 hoses (1 1/2" x 6 ft.)
- Filter / pump hose with union adapters, hose fittings and hose clamps
- Pump with 25 ft. cord with 3-prong NEMA (regular) plug
- One-piece base system



CSA Filter Systems

**CSA ClearWater II Cartridge Systems - 1-Speed Pump**

Part No.	Filter	Filtration Area	Pump	HP	Volts
520-5127-C255	FC1007	100 sq. ft.	PHC1100-25R	1.0	115
520-5167-C255	FC1507	150 sq. ft.	PHC1100-25R	1.0	115

# Carefree

**Standard System Features:**

- Large filter with extra sand-holding capacity
- Hi-Flo II high performance pump
- Large 6" pump trap with 2-piece lid
- Standard pump and filter base
- Fittings package for all connections
- Meets Canadian Standard Association (CSA) requirements

**Includes:**

- Filter
- Filter base
- Filter / pump hose with union adapters
- Hi-Flo pump with 25 ft. cord
- Pump base



**Carefree Sand CSA Standard System with Hi-Flo II 1-Speed Pump**

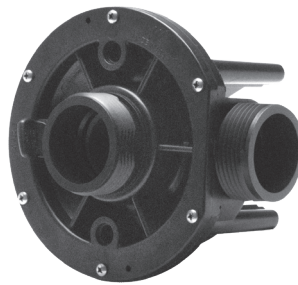
Part No.	Filter	Diameter	Pump	HP	Volts	Weight (lbs.)
520-5327-C255	FS019227	19"	PHC1100-25	1.0	115	77
520-5357-C255	FS022257	22"	PHC1150-25	1.5	115	88



310-5400



310-7700 SD



310-8200



310-7800

### 6" Leaf Traps

Part No.	Description	Case Quantity
<b>310-5400</b>	1 1/2" x 1 1/2"	5
<b>310-6500</b>	1 1/2" x 2"	5
<b>310-6600</b>	2" x 2"	5

Works with all Hi-Flo II and center discharge pumps.

### E-Series Center Discharge Wet Ends

Part No.	Description
<b>310-8200</b>	1/2 HP center discharge "E" wet end
<b>310-8210</b>	3/4 HP center discharge "E" wet end
<b>310-8220</b>	1 HP center discharge "E" wet end
<b>310-8230</b>	1 1/2 HP center discharge "E" wet end
<b>310-8240</b>	2 HP center discharge "E" wet end

Note: E-series center discharge wet ends are the same size as the standard series center discharge wet ends. See page 223.

### Spa Flo Wet Ends

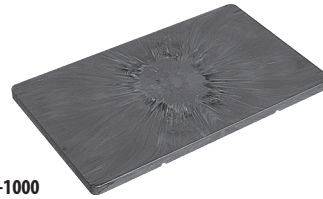
Part No.	Description
<b>310-7800</b>	2013 Spa Flo II / S/D 1/2 HP wet end 1.5" IN/DIS
<b>310-7810</b>	2013 Spa Flo II / S/D 3/4 HP wet end 1.5" IN/DIS
<b>310-7820</b>	2013 Spa Flo II / S/D 1 HP wet end 1.5" IN/DIS
<b>310-7830</b>	2013 Spa Flo II / S/D 1 1/2 HP wet end 1.5" IN/DIS
<b>310-7840</b>	2013 Spa Flo II / S/D 2 HP wet end 1.5" IN/DIS

### 2" Hi-Flo II Side Discharge Wet Ends

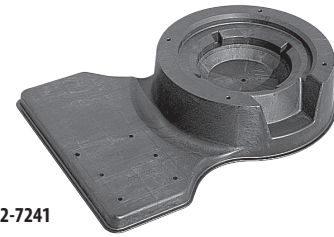
Part No.	Rating	Case Qty.
<b>310-7700SD</b>	1/2 HP	15
<b>310-7710SD</b>	3/4 HP	15
<b>310-7720SD</b>	1 HP	15
<b>310-7730SD</b>	1 1/2 HP	15
<b>310-7740SD</b>	2 HP	15



672-1010



672-1000



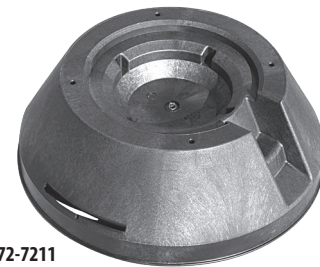
672-7241



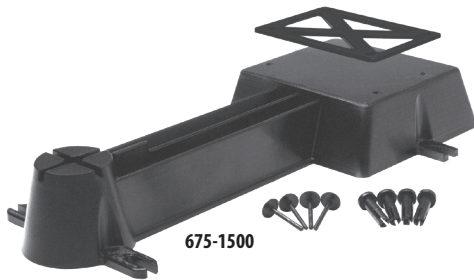
672-7401



672-7201



672-7211



675-1500

**NEW!**



672-1420



CABASE-V

### Bases

Part No.	Description
672-1010	¾" x 14 ½" x 15"
672-1000	1" x 15 ¼" x 26 ¼"
672-7241	ClearWater standard filter and pump base
672-7401	ClearWater II filter and pump base
672-7201	ClearWater modular pump base for Supreme/ WorkHorse pump
675-1500	CSA pump base, Supreme and Hi Flo pump
672-7211	ClearWater/Carefree modular filter base
CABASE-V	Modular feeder base (for use with frog mineral pack systems <sup>®</sup> )
672-1420	Pump base riser 2021 design with inserts

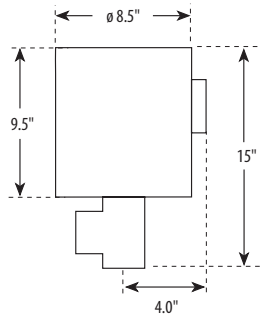




# Santanna II

**Features:**

- Side or bottom mount
- Heat-free due to an open air system that eliminates back pressure build-up
- Internal check valve resists water damage
- Mounting body is Hi-Temp material, eliminating the need for wall mounting
- Side/Bottom outlet is perfect for any outdoor installation and a slip plug is included for the outlet not in use
- Has been tested, certified and listed by UL to requirements of both UL and CSA standards
- Bracket on case for easy mounting



*Waterway's Santanna II Residential Air Blower is one of the best quiet running outdoor spa air blowers on the market today.*

**Air check valves**  
600-8140 (included) & 600-8160  
(U.L. listed SA8537)

1 1/2" slip, 2" spigot x 1 1/2" S - 2" spigot, 1/4 lb. spring

Number of Jets	Blower Size
4 - 7	1 HP
8 - 13	1 1/2 HP
14 +	2 HP



When using a blower to turbo charge jets, care must be taken in sizing and installation. It is important not to oversize the blower.

### Santanna II Air Blowers

Part No.	HP	Volts	Amps	Orifice Dia.	Air Flow (CFM)	PSI	Case Qty.
750-3101-280	1.0	110	7.0	2"	115	2.1	
750-3152-280	1.5	220	4.0	2"	108	2.1	
750-3201-280	2.0	110	9.0	2"	128	3.8	
750-3202-280	2.0	220	6.0	2"	119	4.2	

An external UL Listed check valve (sold separately) is available and can be plumbed into the air line.

# Stealth II

**Features:**

- High performance motor runs cooler and quieter
- High impact resistant construction
- Has been tested, certified and listed by UL to requirements of both UL and CSA standards

### Stealth II Blower Assemblies

Part No.	Description	Amps	Case Qty
700-3011-000	1.0 HP - 110V - 1 1/2" S / 2" spigot	6.7	6
700-3151-000	1.5 HP - 110V - 1 1/2" S / 2" spigot	7.6	6
700-3102-000	1.0 HP - 220V - 1 1/2" S / 2" spigot	4.0	6
700-3152-000	1.5 HP - 220V - 1 1/2" S / 2" spigot	4.2	6
700-3201-000	2.0 HP - 110V - 1 1/2" S / 2" spigot	8.8	6
700-3202-000	2.0 HP - 230V - 1 1/2" S / 2" spigot	5.8	6



See blower sizing on page 190 to calculate your required blower size.

Listed price is without cord. Please call Waterway for part number and pricing with cord.



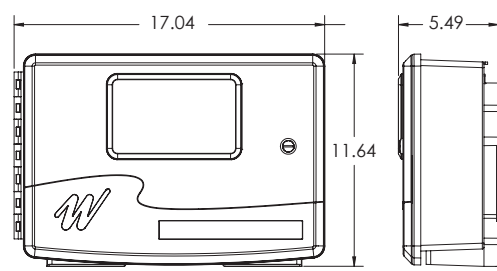
# OASIS

## POOL & SPA CONTROL



- Features:**
- 3.2" color screen
  - Wi-fi option
  - Variable speed, 1-speed, or 2-speed pump control
  - Controls up to 4 valve actuators and 6 standard relays
  - Rugged construction with UV resistant enclosure
  - Freeze protection
  - Complies to UL and CE requirements
  - Dimensions: 17" W x 11.5" H x 5.25" D

Pool Control



**A Better Solution for Common Pool Applications**

- The most cost effective control for pool and spa applications.
- Simple to install, program and service
- Works with your existing equipment pad

**Free wi-fi app**

- From any smart phone, tablet or web device
- Free download from Apple® or Google Play™



*OASIS can operate onboard as well as relocatable user interfaces.*

**OASIS Pool & Spa Control System**

Part No.	Description
<b>770-1004-PSW</b>	Standard control + wi-fi
<b>770-1006-PSW2</b>	Standard control + 2 valve actuators & wi-fi
<b>770-0006</b>	OASIS control panel
<b>773-2400</b>	Valve actuator



**NEW!**



400-1431-2B

**Features:**

- 100% CPVC
- Includes o-ring (Teflon tape or Teflon paste not needed)
- Can be installed on all 2" suction or discharge sides of pump.



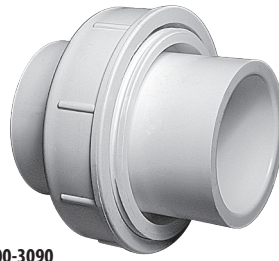
417-1411-CPVC-2

**High Temp Pump Unions and Adapters**

Part No.	Description	Per bag	Case Quantity
400-1431-2B	2" MPT X 2" slip, self aligning pump union	2pc	35 bags per box
417-1411-CPVC-2	2" NPT X 2" slip, male pump/heater adapter	2pc	35 bags per box



400-5090



400-3090



400-5200

**Self-Aligning Union Assemblies**

Part No.	Description	Case Weight	Case Quantity
400-5090	Self-aligning union assembly - 2" S x 2" S	19 lbs.	40
400-3090	Self-aligning union assembly - 1 1/2" S x 1 1/2" S	21 lbs.	40
400-5200	Self-aligning union assembly - 1 1/2" S x 2" S	34.8 lbs.	80



400-3070



400-4160



400-5080

**Union Assemblies**

Part No.	Description	Case Weight	Case Quantity
400-3070	Barbed union hose adapter - 1 1/2" NPT x 1 1/2" (includes cap for winterization)	10 lbs.	30
400-4160	Union assembly #23 - 1 1/2" FPT x 1 1/2" S	10.47 lbs.	25
400-5080	Union assembly - 2" S x 2" MPT	16 lbs.	30



400-1940



400-1990

### 1" Pump Union Assemblies

Part No.	Description	Case Quantity
400-1940	1" union nut with 3/4" RB tailpiece and o-ring	25
400-1990	1" S union nut with 1" slip tailpiece and o-ring	100

Unions



400-4060



400-2020



400-2010



400-4230



400-4240



400-9280

### 1 1/2" Pump Union Assemblies

Part No.	Description	Case Quantity
400-4060	1 1/2" union nut with 1 1/2" S tailpiece and o-ring	100
400-5640	1 1/2" union nut with 1 1/2" S tailpiece with gasket	100
400-2020	1 1/2" union nut with 1 1/2" spigot / 1" S tailpiece and o-ring	200
400-2017	1 1/2" union nut with 50mm S tailpiece and o-ring	70
400-4230	1 1/2" union nut with 1 1/2" FPT tailpiece and o-ring	100
400-4510	1 1/2" union nut with 1 1/2" FPT tailpiece and o-ring with gasket	200
400-4240	1 1/2" union nut with 1 1/2" spigot tailpiece and o-ring	50
400-9280	1 1/2" union nut with 1 1/2" / 1 1/4" hose adapter and o-ring	25



## Unions / Pump Union Assemblies

Unions



400-5570



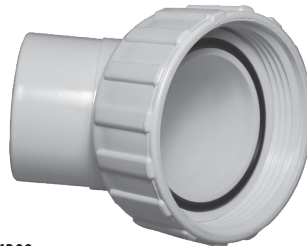
400-9240



400-5800



400-5660



400-4300



400-9230

### 2" Pump Union Assemblies

Part No.	Description	Case Quantity
400-5570	2" union nut with 2" S Tailpiece and O-Ring	70
400-5670	2" union nut with 2" S Tailpiece and O-Ring with gasket	70
400-9240	2" union nut with 1 1/2" hose adapter and o-ring	30
400-5800	2" union nut with 2" S sweep ell - 90° tailpiece	40
400-5660	2" union nut with 1 1/2" FPT nut tailpiece and o-ring	72
400-4300	2" union nut with 2" Spigot 45° tailpiece and o-ring	70
400-9230	2" union nut with 2" Spigot / 1 1/2" S Tailpiece and O-Ring	40
400-5680	2" union nut with 2" Spigot / 1 1/2" S tailpiece and o-ring with gasket	140



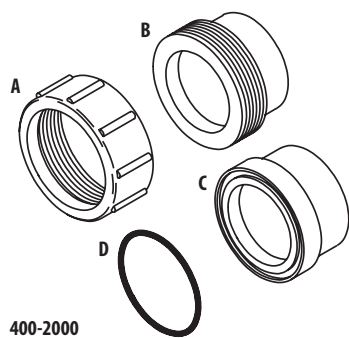
400-5990



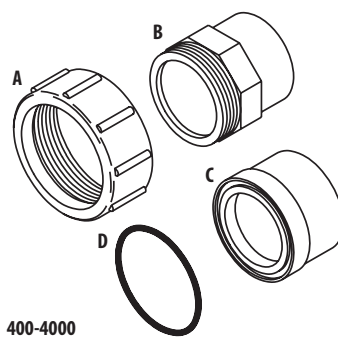
400-6010

### 2 1/2" Pump Union Assemblies

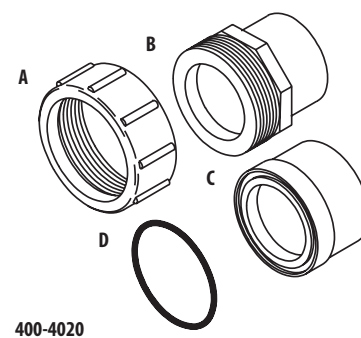
Part No.	Description	Case Quantity
400-5990	2 1/2" union nut with 2" S tailpiece and o-ring	50
400-6010	2 1/2" union nut with 2 1/2" S tailpiece and o-ring	36
400-6021B	2 1/2" union nut x 2 1/2" S - black (2 included with SVL56 pump)	72
400-5971B	2 1/2" union nut x 2" S - black (2 included with SVL56 pump)	72



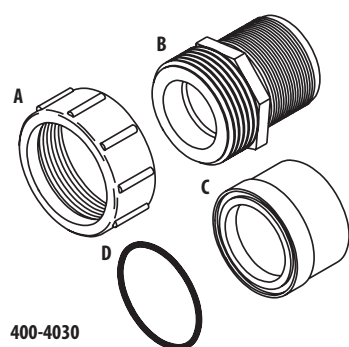
400-2000



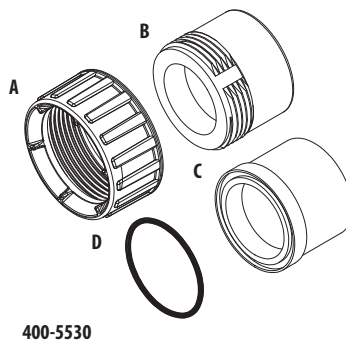
400-4000



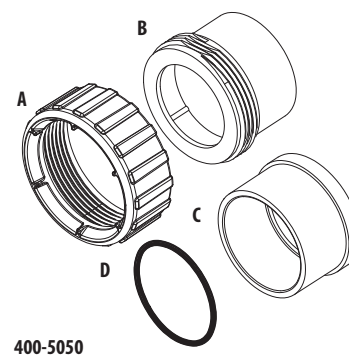
400-4020



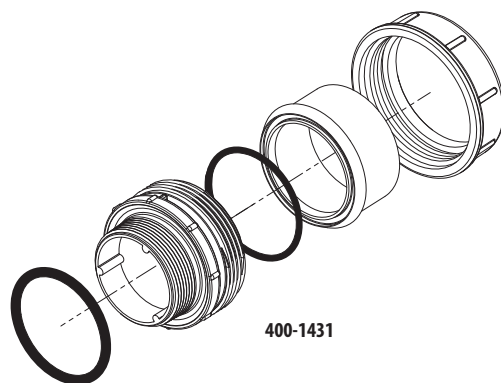
400-4030



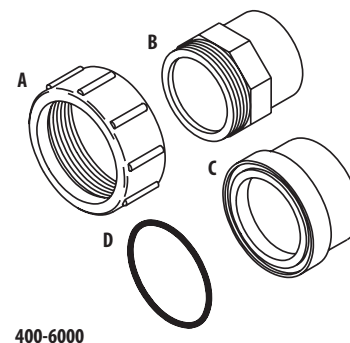
400-5530



400-5050



400-1431



400-6000

**Union Assemblies**

Part No.	Description	Part A	Part B	Part C	Part D	Case Quantity
400-2000	Union assembly - 1" S x 1" S	415-2000	417-2010	417-2020	805-0123	60
400-4000	Union assembly #1 - 1 1/2" S x 1 1/2" S	415-4000	417-4010	417-4000	805-0226	50
400-4020	Union assembly #3 - 1 1/2" S x 1 1/2" spigot	415-4000	417-4030	417-4000	805-0226	25
400-4030	Union assembly - 1 1/2" MPT x 1 1/2" S	415-4000	417-4060	417-4000	805-0226	25
400-5530	Union assembly - 2" spigot / 1 1/2" S x 1 1/2" S	415-4000	417-4000	417-5080	805-0226	40
400-5050	Union assembly #13 - 2" S x 2" S	415-5000	417-5040	417-5120	805-0229	25
400-6000	Union assembly - 2 1/2" S x 2 1/2" S	415-6000	417-6010	417-6000	805-0232	36
400-1431	2" MPT X 2" slip, self aligning pump union					35 bags per box

Standard color is white. All fittings meet or exceed A.S.T.M. Schedule 40 standards.





## Unions / 1 1/2" Union Components

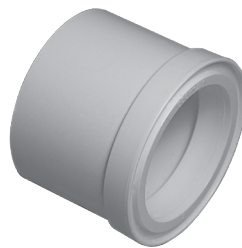
Unions



415-4000



417-4070



417-4000



417-4030



417-4060



417-4080



417-6041



417-4010



417-4020



417-5080



417-4110



805-0226



711-4000

### 1 1/2" Union Components

Part No.	Description	Case Quantity
415-4000	1 1/2" union nut	250
417-4070	1 1/2" flange x 1 1/2" FPT tailpiece	100
417-4000	1 1/2" flange x 1 1/2" S tailpiece	300
417-5500	1 1/2" flange x 50mm S tailpiece	100
417-4100	1 1/2" flange x 1 1/2" spigot	75
417-4030	1 1/2" buttress thread x 1 1/2" spigot tailpiece	230
417-4060	1 1/2" buttress thread x 1 1/2" MPT tailpiece	230
417-4080	1 1/2" flange x 1 1/2" S tailpiece - short	150
417-6041	1 1/2" flange x 1 1/2" / 1 1/4" hose adapter fitting	75
417-4010	1 1/2" buttress thread x 1 1/2" S tailpiece	250
417-4020	1 1/2" buttress thread x 1 1/2" S - short	50
417-5080	1 1/2" buttress thread x 1 1/2" S x 2" spigot tailpiece	75
417-4110	1 1/2" buttress x 1 1/2" S - short	150
711-4000	1 1/2" Union Gasket	500
805-0226	O-ring - 1 1/2" tailpiece	100

## Unions / 2" & 2 1/2" Union Components



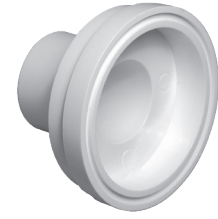
415-5000



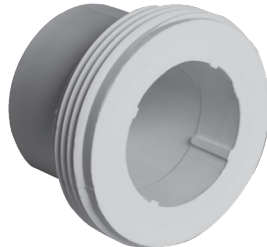
417-5120



417-5020



417-6030



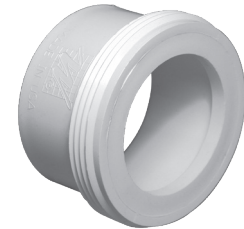
417-5260



417-4220



417-5040



417-6010



415-6000



417-6000



805-0145



805-0232



711-4010 / 711-4020

Unions

### 2" and 2 1/2" Union Components

Part No.	Description	Case Quantity
415-5000	2" union nut	180
417-5120	2" flange x 2" S tailpiece	50
417-5020	2" flange x 2" spigot / 1 1/2" S tailpiece	100
417-6050	2" flange x 1 1/2" / 1 1/4" hose adapter fitting	200
417-6030	2" flange x 1 1/2" hose adapter fitting	25
417-5260	2" buttress thread x 2" spigot / 1 1/2" S tailpiece	160
417-4220	2" flange x 2" MPT	50
417-5090	2" flange thread x 1 1/2" MPT tailpiece	25
417-5040	2" buttress thread x 2" S tailpiece	150
805-0145	O-ring - 2" heater tailpiece	100
805-0229	2" pump union (thick) O-ring	100
711-4010	2" flat union gasket	500
711-4020	2" x 1/4" thick union gasket	500
711-4030	2" ribbed o-ring union gasket	500
415-6000	2 1/2" union nut	50
417-6000	2 1/2" flange x 2 1/2" socket	50
417-5970	2 1/2" flange x 2" socket	50
417-6010	2 1/2" buttress thread x 2 1/2" socket	100
805-0232	O-ring - 2 1/2" heater tailpiece	100





## Pool Chlorinators & Accessories/ Chlorinators

### Above Ground Features:

- 1 1/2" x 6" extension adapter for easy installation on all filter choices
- A check valve to prevent back flow of water into chlorinator
- Includes 1 1/2" hose adapter
- Internal chamber designed for improved performance
- Holds four (4) - 3" tabs; 4 1/2 lbs of 1/2" tabs



For replacement parts, see page 258-259.

### Above Ground Chlorinators

Part No.	Description	Color	Case Weight	Weight (lbs.)	Case Qty.
<b>CAG004-W</b>	Above-ground chlorinator (fittings to install on sand filter multi-port included)	White	24.11 lbs.	3	20
<b>400-3090</b>	1 1/2" S self-aligning union for in-line	White	40.9 lbs.	21	40
<b>400-5200</b>	2" S self-aligning union for in-line	White	38.23 lbs.	20	40
<b>400-9820</b>	Chlorinator fitting - 1 1/2" MPT x 1 1/2" buttress	--	9.67 lbs.	--	20

\*Clear style chlorinators will lose clarity over time, depending on type of chlorine, weather conditions and usage.

### Advanced design ClearWaterVS in-line automatic chlorinator creates tablet saturation when using variable speed pumps at all speeds.

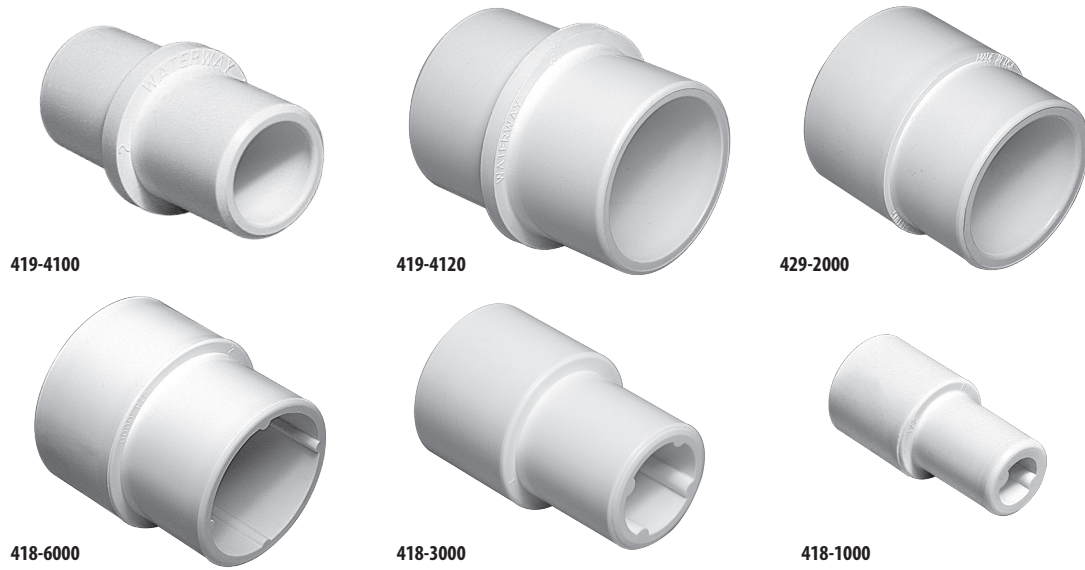
#### In-line Features:

- Now with 100% shut-off valve
- Easy to read accurate control valve
- Large chamber body (white or clear)
- Check valve to prevent back flow into chlorinator
- 2" socket x 2.5" spigot (1.5" socket reducers included)
- Enclosed internal saturation tube - provides optimal flow across chlorine tablets
- Twelve (12) tablet capacity
- Available in white or clear



### In-Line Chlorinators

Part No.	Description	Color	Case Weight	Weight (lbs.)	Case Qty.
<b>CLC012-W</b>	In-line - 12 tablet feeder - 2" socket (includes 1 1/2" socket reducer)	White	38 lbs.	5	1
<b>550-6700</b>	In-line chlorinator mounting bracket (fits Waterway above ground filter systems)	Black	28.27 lbs.	29	30



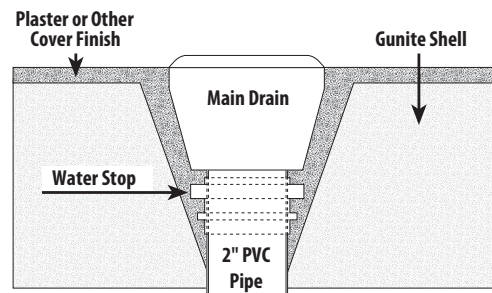
Ells / Tees / Wyes

Accessories			
Part No.	Description	Case Weight	Case Quantity
419-4100	1" inside coupler	16 lbs.	300
419-4110	1 1/2" inside coupler	12 lbs.	100
419-4120	2" inside coupler	9 lbs.	60 (bulk)
429-2000	1 1/2" fitting extender	8 lbs.	30
429-2010	2" fitting extender	10 lbs.	30 (bulk)
418-1000	1/2" pipe extender	7 lbs.	400 (bulk)
418-2000	3/4" pipe extender	7 lbs.	250 (bulk)
418-3000	1" pipe extender	14 lbs.	280 (bulk)
418-4000	1 1/4" pipe extender	15 lbs.	200 (bulk)
418-5000	1 1/2" pipe extender	6 lbs.	50 (bulk)
418-6000	2" pipe extender	4 lbs.	25 (bulk)
418-7000	2 1/2" pipe extender	13 lbs.	25 (bulk)



Waterstops - 1", 1 1/2", 2", 2 1/2"

Waterstops eliminate leaks due to expansion and contraction of plaster and/or other finish materials.



Waterstops			
Part No.	Description	Case Weight	Case Quantity
429-3000	1" waterstop	6 lbs.	100
429-3010	1 1/2" waterstop	15 lbs.	200
429-3020	2" waterstop	5 lbs.	50
429-3030	2 1/2" waterstop	6.98 lbs.	50



# Ells, Tees, & Wyes / Sweep Ells

Ells / Tees / Wyes



411-9100



411-9110



411-9120



411-9130



411-9140



411-9150



411-9160



411-9210

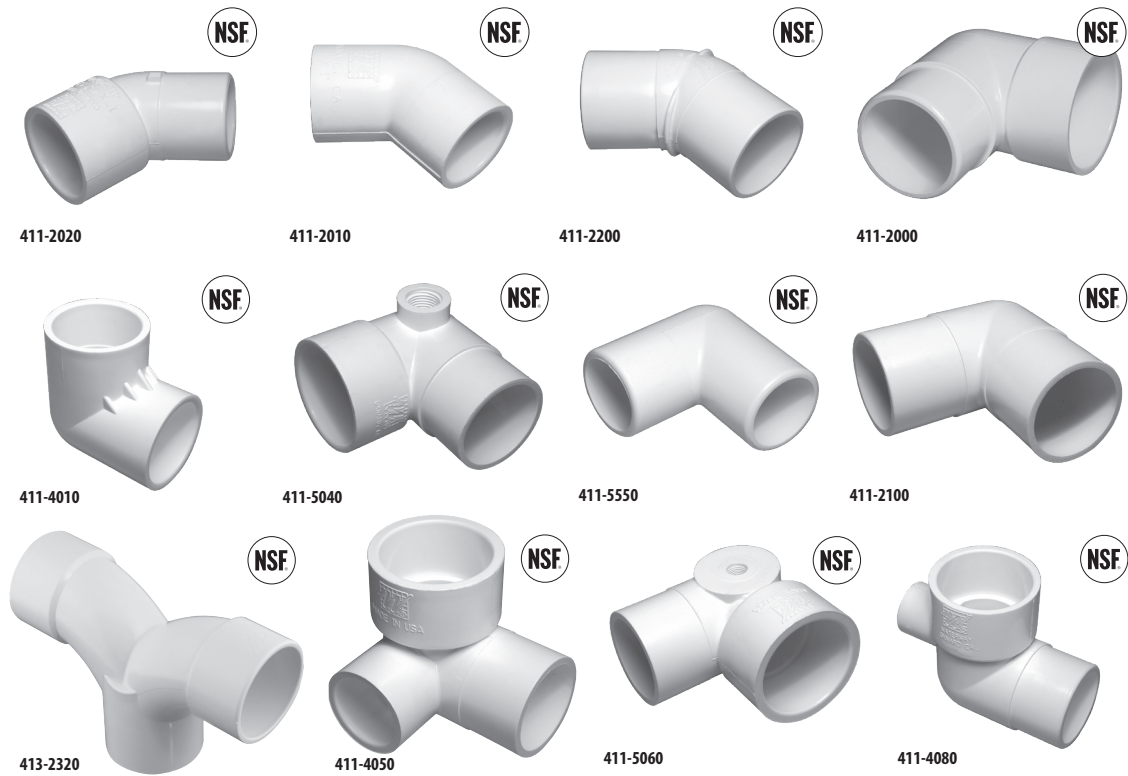


411-9200

## Sweep Ells

Part No.	Description	NSF Approved	Case Weight	Case Quantity
411-9100	1 1/2" spigot x 1 1/2" S	X	8 lbs.	25
411-9110	1 1/2" S x 1 1/2" S	X	8 lbs.	25
411-9120	2" spigot x 2" S	X	25 lbs.	60
411-9130	2" S x 2" S	X	25 lbs.	60
411-9140	2 1/2" spigot x 2 1/2" S	X	21 lbs.	30
411-9150	2 1/2" S x 2 1/2" S	X	22 lbs.	30
411-9160	2" spigot 90° x 2 1/2" S	X	22 lbs.	35
411-9200	3" S x 3" S	X	22 lbs.	17
411-9210	3" S x 3" spigot	X	26 lbs.	20

## Ells, Tees, & Wyes / 45° and 90° Ells



Ells / Tees / Wyes

### 45° and 90° Ells

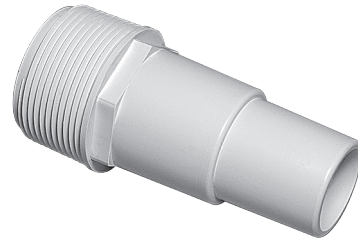
Part No.	Description	NSF Approved	Case Quantity
<b>411-2020</b>	45° street ell – 1" S x 1" spigot	X	50
<b>411-4040</b>	45° street ell – 1 ½" S x 1 ½" spigot		140
<b>411-5030</b>	45° street ell – 2" S x 2" spigot		90
<b>411-2010</b>	45° ell – 1" S x 1" S	X	150
<b>411-2200</b>	45° ell – 2" spigot x 2" spigot	X	80
<b>411-2000</b>	90° street ell – 1" S x 1" spigot	X	50
<b>411-4000</b>	90° street ell – 1 ½" S x 1 ½" spigot		130
<b>411-5080</b>	90° street ell – 2" S x 2" spigot		60
<b>411-4010</b>	90° ell – 1 ½" S x 1 ½" S	X	50
<b>411-5040</b>	90° street ell – 2" S x 2" spigot x ½" FPT left side outlet	X	60
<b>411-5050</b>	90° street ell – 2" S x 2" spigot x ¾" FPT left side outlet		25
<b>411-5550</b>	90° ell – 1 ½" spigot x 1 ½" spigot	X	50
<b>411-2100</b>	90° ell – 2" spigot x 2" spigot	X	60
<b>411-4050</b>	90° ell – 1 ½" S x 1 ½" spigot x 1" S side outlet	X	25
<b>411-5060</b>	90° street ell – 1 ½" S x 1 ½" spigot x ⅛" FPT side outlet	X	50
<b>411-4080</b>	90° street ell – 1 ½" S x 1 ½" spigot x ½" S outlet	X	50
<b>411-9170</b>	Ell – 2" S x 2" S x ¾" SB		50
<b>411-9180</b>	Ell – 2 ½" S x 2 ½" S x ¾" SB		30
<b>413-2320</b>	Wye 2 ½" S x 2 ½" S x 2 ½" S @ 22.50 R1 20.06		15



411-6520



411-6540



417-6060



417-6080



417-6140



417-6150

### Hose Adapters

Part No.	Description	Color	Case Weight	Case Quantity
411-6520	Barb ell - 1 1/2" MPT x 1 1/2" hose	White	28.35 lbs.	140 (bulk)
411-6540	Smooth ell - 1 1/2" MPT x 1 1/2" hose	White	29.35 lbs.	150 (bulk)
417-6060	Hose fitting adapter - 1 1/2" MPT x 1 1/4" hose	White	7.28 lbs.	70 (bulk)
417-6061	Hose fitting adapter - 1 1/2" MPT x 1 1/4" hose	Black	7.28 lbs.	70 (bulk)
417-6080	Hose fitting adapter - 1 1/2" Spigot x 1 1/4" hose	White	25.25 lbs.	230 (bulk)
417-6081	Hose fitting adapter - 1 1/2" Spigot x 1 1/4" hose	Black	25.25 lbs.	230 (bulk)
417-6140	Male smooth adapter - 1 1/2" MPT x 1 1/2" hose	White	24.47 lbs.	260 (bulk)
417-6141	Male smooth adapter - 1 1/2" MPT x 1 1/2" hose	Black	24.47 lbs.	260 (bulk)
417-6147	Male smooth adapter - 1 1/2" MPT x 1 1/2" hose	Gray	24.47 lbs.	260 (bulk)
417-6150	Male barb adapter - 1 1/2" MPT x 1 1/2" hose	White	28.85 lbs.	270 (bulk)
417-6151	Male barb adapter - 1 1/2" MPT x 1 1/2" hose	Black	28.85 lbs.	270 (bulk)
417-6157	Male barb adapter - 1 1/2" MPT x 1 1/2" hose	Gray	28.85 lbs.	270 (bulk)
417-6161	Male barb adapter - 2" MPT x 1 1/2" hose	Black	51.15 lbs.	25 (bulk)





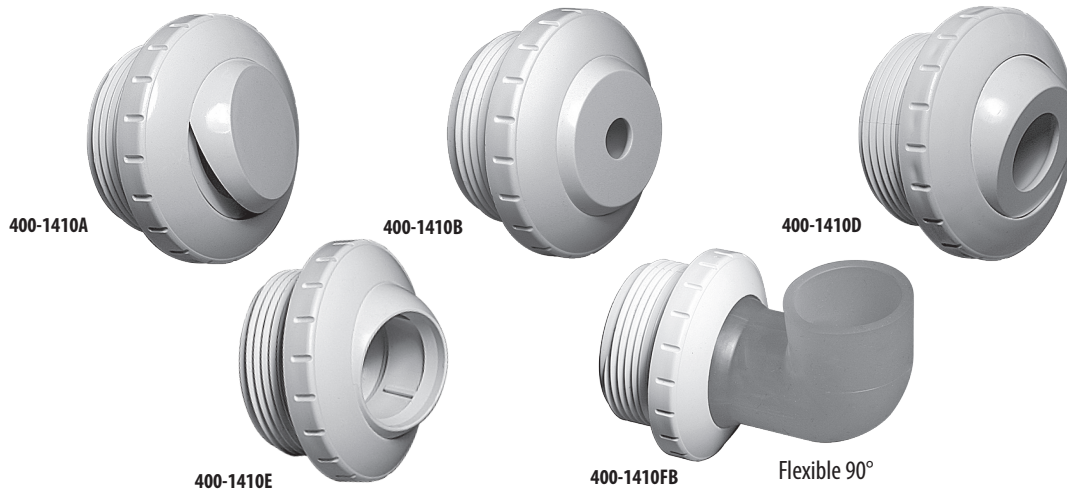
Fittings

**Return Wall Fittings**

Part No.	Description	Color	Case Weight	Case Quantity
<b>215-9170B</b>	Return wall fitting 1 1/2" FPT Thru	White	8 lbs.	50 (indiv.)
<b>215-9170</b>	Return wall fitting 1 1/2" FPT Thru	White	26.15 lbs.	200 (bulk)
<b>215-9171</b>	Return wall fitting 1 1/2" FPT Thru	Black	26.15 lbs.	200 (bulk)
<b>215-9177</b>	Return wall fitting 1 1/2" FPT Thru	Gray	26.15 lbs.	200 (bulk)
<b>215-9179-DKG</b>	Return wall fitting 1 1/2" FPT Thru	Dark Gray	26.15 lbs.	200 (bulk)
<b>215-9179-BEI</b>	Return wall fitting 1 1/2" FPT Thru	Beige	26.15 lbs.	200 (bulk)
<b>215-9880</b>	Return wall fitting 1 1/2" FPT x 1" S	White	30.05 lbs.	200 (bulk)
<b>215-9881</b>	Return wall fitting 1 1/2" FPT x 1" S	Black	30.05 lbs.	200 (bulk)
<b>215-9887</b>	Return wall fitting 1 1/2" FPT x 1" S	Gray	30.05 lbs.	200 (bulk)
<b>215-9889-DKG</b>	Return wall fitting 1 1/2" FPT x 1" S	Dark Gray	30.05 lbs.	200 (bulk)
<b>215-9150B</b>	Return wall fitting 1 1/2" FPT x 1 1/2" S	White	8 lbs.	50 (indiv.)
<b>215-9150</b>	Return wall fitting 1 1/2" FPT x 1 1/2" S	White	27.30 lbs.	200 (bulk)
<b>215-9151</b>	Return wall fitting 1 1/2" FPT x 1 1/2" S	Black	27.30 lbs.	200 (bulk)
<b>215-9157</b>	Return wall fitting 1 1/2" FPT x 1 1/2" S	Gray	27.30 lbs.	200 (bulk)
<b>215-9159-DKG</b>	Return wall fitting 1 1/2" FPT x 1 1/2" S	Dark Gray	27.30 lbs.	200 (bulk)
<b>215-9159-BEI</b>	Return wall fitting 1 1/2" FPT x 1 1/2" S	Beige	27.30 lbs.	200 (bulk)
<b>215-9159-DKB</b>	Return wall fitting 1 1/2" FPT x 1 1/2" S	Dark Blue	27.30 lbs.	200 (bulk)
<b>215-9890</b>	Return wall fitting 1 1/2" FPT x 2" insider (fits inside 2" pipe)	White	5.47 lbs.	60 (bulk)
<b>215-9891</b>	Return wall fitting 1 1/2" FPT x 2" insider (fits inside 2" pipe)	Black	5.47 lbs.	60 (bulk)
<b>215-9897</b>	Return wall fitting 1 1/2" FPT x 2" insider (fits inside 2" pipe)	Gray	5.47 lbs.	60 (bulk)
<b>215-9899-DKG</b>	Return wall fitting 1 1/2" FPT x 2" insider (fits inside 2" pipe)	Dark Gray	5.47 lbs.	60 (bulk)
<b>400-9170B</b>	Return wall fitting assembly with nut and gasket 1 1/2" FPT thru	White	13 lbs.	50 (indiv.)
<b>400-9171B</b>	Return wall fitting assembly with nut and gasket 1 1/2" FPT thru	Black	13 lbs.	50 (indiv.)
<b>400-9177B</b>	Return wall fitting assembly with nut and gasket 1 1/2" FPT thru	Gray	13 lbs.	50 (indiv.)
<b>400-9170</b>	Return wall fitting assembly with nut and gasket 1 1/2" FPT thru	White	12 lbs.	50 (bulk)
<b>400-9171</b>	Return wall fitting assembly with nut and gasket 1 1/2" FPT thru	Black	12 lbs.	50 (bulk)
<b>400-9177</b>	Return wall fitting assembly with nut and gasket 1 1/2" FPT thru	Gray	12 lbs.	50 (bulk)
<b>400-9150B</b>	Return wall fitting assembly with nut and gasket 1 1/2" FPT x 1 1/2" S	White	13 lbs.	50 (indiv.)
<b>400-9150</b>	Return wall fitting assembly with nut and gasket 1 1/2" FPT x 1 1/2" S	White	13 lbs.	50 (bulk)
<b>400-9151</b>	Return wall fitting assembly with nut and gasket 1 1/2" FPT x 1 1/2" S	Black	13 lbs.	50 (bulk)
<b>400-9157</b>	Return wall fitting assembly with nut and gasket 1 1/2" FPT x 1 1/2" S	Gray	13 lbs.	50 (bulk)



## Fittings / Threaded Eyeball Fittings



### Threaded Eyeball Fittings - 1 1/2" MPT

Part No.	Description	Color	Case Weight	Case Quantity
<b>400-1410AB</b>	Slotted eyeball opening ( <i>bagged</i> )	White	10.50 lbs.	100 (indiv.)
<b>400-1417AB</b>	Slotted eyeball opening ( <i>bagged</i> )	Gray	10.50 lbs.	100 (indiv.)
<b>400-1410A</b>	Slotted eyeball opening	White	12.55 lbs.	125 (bulk)
<b>400-1411A</b>	Slotted eyeball opening	Black	12.55 lbs.	125 (bulk)
<b>400-1417A</b>	Slotted eyeball opening	Gray	12.55 lbs.	125 (bulk)
<b>400-1419A-DK</b>	Slotted eyeball opening	Dark Gray	12.55 lbs.	125 (bulk)
<b>400-1410BB</b>	3/8" eyeball opening ( <i>bagged</i> )	White	10.75 lbs.	100 (indiv.)
<b>400-1410B</b>	3/8" eyeball opening	White	12.45 lbs.	125 (bulk)
<b>400-1411B</b>	3/8" eyeball opening	Black	12.45 lbs.	125 (bulk)
<b>400-1417B</b>	3/8" eyeball opening	Gray	12.45 lbs.	125 (bulk)
<b>400-1419B-DK</b>	3/8" eyeball opening	Dark Gray	12.45 lbs.	125 (bulk)
<b>400-1410CB</b>	1/2" eyeball opening ( <i>bagged</i> )	White	10.70 lbs.	100 (indiv.)
<b>400-1410C</b>	1/2" eyeball opening	White	12.55 lbs.	125 (bulk)
<b>400-1411C</b>	1/2" eyeball opening	Black	12.55 lbs.	125 (bulk)
<b>400-1417C</b>	1/2" eyeball opening	Gray	12.55 lbs.	125 (bulk)
<b>400-1419C-DK</b>	1/2" eyeball opening	Dark Gray	12.55 lbs.	125 (bulk)
<b>400-1410DB</b>	3/4" eyeball opening ( <i>bagged</i> )	White	10.35 lbs.	100 (indiv.)
<b>400-1411DB</b>	3/4" eyeball opening ( <i>bagged</i> )	Black	10.35 lbs.	100 (indiv.)
<b>400-1417DB</b>	3/4" eyeball opening ( <i>bagged</i> )	Gray	10.35 lbs.	100 (indiv.)
<b>400-1410D</b>	3/4" eyeball opening	White	11.65 lbs.	125 (bulk)
<b>400-1411D</b>	3/4" eyeball opening	Black	11.65 lbs.	125 (bulk)
<b>400-1417D</b>	3/4" eyeball opening	Gray	11.65 lbs.	125 (bulk)
<b>400-1419D-DK</b>	3/4" eyeball opening	Dark Gray	11.65 lbs.	125 (bulk)
<b>400-1419D-BEI</b>	3/4" eyeball opening	Beige	11.65 lbs.	125 (bulk)
<b>400-1410EB</b>	1" eyeball opening ( <i>bagged</i> )	White	10.55 lbs.	100 (indiv.)
<b>400-1411EB</b>	1" eyeball opening ( <i>bagged</i> )	Black	10.55 lbs.	100 (indiv.)
<b>400-1417EB</b>	1" eyeball opening ( <i>bagged</i> )	Gray	10.55 lbs.	100 (indiv.)
<b>400-1410E</b>	1" eyeball opening	White	11.77 lbs.	125 (bulk)
<b>400-1411E</b>	1" eyeball opening	Black	11.77 lbs.	125 (bulk)
<b>400-1417E</b>	1" eyeball opening	Gray	11.77 lbs.	125 (bulk)
<b>400-1419E-DK</b>	1" eyeball opening	Dark Gray	11.77 lbs.	125 (bulk)
<b>400-1419E-BEI</b>	1" eyeball opening	Beige	11.77 lbs.	125 (bulk)
<b>400-1419E-DKB</b>	1" eyeball opening	Dark Blue	11.77 lbs.	125 (bulk)
<b>400-1410FB</b>	1" 90° return eye ( <i>bagged</i> )	White	12 lbs.	125 (indiv.)
<b>400-1410F</b>	1" 90° return eye	White	9.05 lbs.	70 (bulk)



## Fittings / Insert Inlet Eyeball Fitting & In-Floor Return



400-1420E

**Available in:**

- White
- Gray
- Dark Gray
- Black

### Insert Inlet Eyeball Fittings - 1 1/2"

Part No.	Description	Color	Case Weight	Case Quantity
<b>400-1420DB</b>	3/4" eyeball opening ( <i>bagged</i> )	White	8 lbs.	75 (indiv.)
<b>400-1420EB</b>	1" eyeball opening ( <i>bagged</i> )	White	7.7 lbs.	75 (indiv.)
<b>400-1420D</b>	3/4" eyeball opening	White	8.29 lbs.	75 (bulk)
<b>400-1421D</b>	3/4" eyeball opening	Black	8.29 lbs.	75 (bulk)
<b>400-1427D</b>	3/4" eyeball opening	Gray	8.29 lbs.	75 (bulk)
<b>400-1429D-DK</b>	3/4" eyeball opening	Dark Gray	8.14 lbs.	75 (bulk)
<b>400-1420E</b>	1" eyeball opening	White	8.36 lbs.	75 (bulk)
<b>400-1421E</b>	1" eyeball opening	Black	8.12 lbs.	75 (bulk)
<b>400-1427E</b>	1" eyeball opening	Gray	7.85 lbs.	75 (bulk)
<b>400-1429E-DK</b>	1" eyeball opening	Dark Gray	8.12 lbs.	75 (bulk)
<b>400-1420A</b>	Slotted opening	White	8 lbs.	75 (bulk)
<b>400-1427A</b>	Slotted opening	Gray	8 lbs.	75 (bulk)
<b>400-1429A-DK</b>	Slotted opening	Dark Gray	8 lbs.	75 (bulk)

Fittings



640-9000

**Features:**

- Comes with 2" Socket and 1 1/2" Reducer Fitting

### In-Floor Return

Part No.	Description	Color	Case Quantity
<b>640-9000</b>	Floor return	White	
<b>640-9007</b>	Floor return	Gray	



## Fittings / Fiberglass Wall Fitting / Aerators / Vac Lock Fitting



400-8300



400-8310



400-8320



400-9470

### Fiberglass Wall Fitting - Deep Socket

Part No.	Description	Case Quantity
400-8300	Fiberglass wall fitting, deep socket adapter - HWD version	
400-8310	Fiberglass wall fitting with eyeball, deep socket adapter - HA version	
400-8320	Gasket kit (can work with either kit)	
400-9470	1 pc fiberglass wall fitting LG third with eyeball	
400-9550	Fiberglass return wall fitting 2 FPT x 2" S dpn sckt assy, w/ 3/4" eyeball white	
400-9470	Fiberglass return wall fitting 2 FPT x 2" S dpn sckt assy, w/ 3/4" eyeball gray	

Fittings



217-0060

FRONT



BACK



715-1910

### Aerators

Part No.	Color	Dimensions	Case Quantity
715-1910	White	ø 1.62" W x 1.25" H	120 (bulk)
715-1911	Black	ø 1.62" W x 1.25" H	120 (bulk)
715-1917	Gray	ø 1.62" W x 1.25" H	120 (bulk)
217-0060	White	3/4" Aerator spray nozzle	200



600-2201



### Vac Lock Fittings

Part No.	Description	Color	Case Weight	Case Quantity
600-2200	Vac lock fitting - 1 1/2" MPT	White	9.57 lbs.	70
600-2201	Vac lock fitting - 1 1/2" MPT	Black	9.57 lbs.	70
600-2207	Vac lock fitting - 1 1/2" MPT	Gray	9.57 lbs.	70
600-2209-DKG	Vac lock fitting - 1 1/2" MPT	Dark Gray	9.57 lbs.	70
600-2209-BEI	Vac lock fitting - 1 1/2" MPT	Beige	9.57 lbs.	70

## Fittings / Vinyl Liner Fittings & Vinyl Wall Fitting



400-9160B



218-1430



218-1440



400-7380

### In-Ground Pool Vinyl Liner Return Fittings

Part No.	Description	Color	Case Weight	Case Quantity
400-9160B	Steel wall fitting assembly with combo spacer/locknut 1 1/2" FPT x 1 1/2" FPT	White	16 lbs.	25 (indiv.)
400-9167B	Steel wall fitting assembly with combo spacer/locknut 1 1/2" FPT x 1 1/2" FPT	Gray	16 lbs.	25 (indiv.)
400-9060B	Steel wall fitting assembly with combo spacer/locknut 1 1/2" FPT x 1 1/2" socket	White	17.91 lbs.	25 (indiv.)
400-9067B	Steel wall fitting assembly with combo spacer/locknut 1 1/2" FPT x 1 1/2" socket	Gray	17.91 lbs.	25 (indiv.)
218-1430	Faceplate for steel wall vinyl liner wall fitting with fitting assembly	White	26.75 lbs.	300
218-1437	Faceplate for steel wall vinyl liner wall fitting with fitting assembly	Gray	26.75 lbs.	300
218-1440	Wall fitting escutcheon	White	5.70 lbs.	200 (bulk)
218-1441	Wall fitting escutcheon	Black	5.70 lbs.	200 (bulk)
218-1447	Wall fitting escutcheon	Gray	5.70 lbs.	200 (bulk)
400-7390	V/L return w/f 1 1/2" FPT x 2 3/4" Ingt w/f combo nut	White	21.40 lbs	25 (indiv.)
400-7380	V/L return w/f 1.5" FPT x 2 3/4" Ingt w/f combo with disc washer	White	--	--
400-7387	V/L return w/f 1.5" FPT x 2 3/4" Ingt w/f combo with disc washer	Gray	--	--
400-7397	V/L return w/f 1 1/2" FPT x 2" Ingt w/f combo nut	Gray	21.40lbs	25 (indiv.)



550-9340



550-9330

### Above-Ground Pool Vinyl Liner Return Fittings

Part No.	Description	Color	Case Weight	Case Quantity
550-9340	Deluxe return fitting assembly 1" eyeball	White	13.55 lbs.	30 (bulk)
550-9347	Deluxe return fitting assembly 1" eyeball	Gray	13.55 lbs.	30 (bulk)
550-9330	Deluxe return fitting assembly 3/4" eyeball	White	35.15 lbs.	80 (bulk)
550-9337	Deluxe return fitting assembly 3/4" eyeball	Gray	35.15 lbs.	80 (bulk)



400-9010B

### In-Ground Pool Vinyl Wall Fitting - Concrete Poured Wall

Part No.	Description	Color	Case Wt.	Case Qty.
400-9010B	Concrete poured wall 1 1/2" FPT x 1 1/4" socket	White	12.31 lbs.	25



## Fittings / Rotating Eyeball Fittings



400-1360



400-1300

### Rotating Eyeball Fittings

Part No.	Description	Color	Case Weight	Case Quantity
<b>400-1360</b>	Pulsator eyeball fitting 1 1/2" insert inlet	White	32.91 lbs.	80
<b>400-1300</b>	Pulsator eyeball assembly	White	5.52 lbs.	75 (indiv.)

Fittings

#### Features:

- Replaces directional eyeball fittings in spas
- Great for therapy massage action!
- The pulsator fits these wall fittings:  
215-9150, 215-9170, 400-9190, 400-9160B



212-9170

### Spa Rotating Therapy Massage Fittings

Part No.	Description	Color	Case Weight	Case Quantity
<b>212-9170</b>	Pulsator - 1 1/2" MPT (fits 1 1/2" FPT wall fittings)	White	4.32 lbs.	50
<b>212-9171</b>	Pulsator - 1 1/2" MPT (fits 1 1/2" FPT wall fittings)	Black	4.32 lbs.	50
<b>212-9177</b>	Pulsator - 1 1/2" MPT (fits 1 1/2" FPT wall fittings)	Gray	4.32 lbs.	50
<b>212-9179-DKG</b>	Pulsator - 1 1/2" MPT (fits 1 1/2" FPT wall fittings)	Dark Gray	4.32 lbs.	50

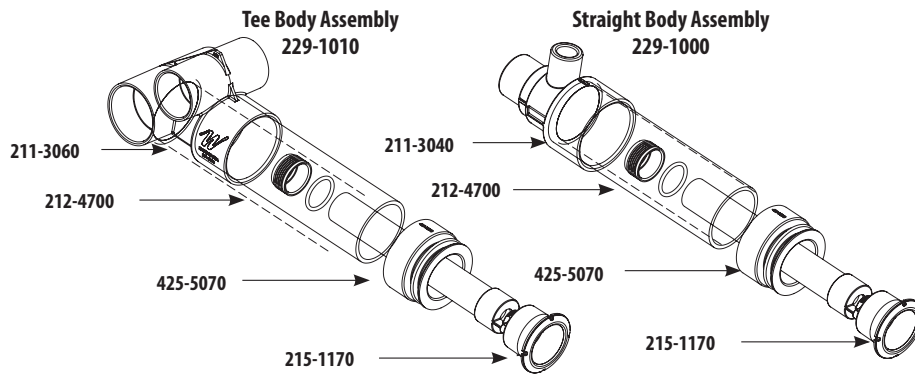


Return Fittings				
Part No.	Description	Color	Case Weight	Case Quantity
400-9180	Econ 1" return fitting insider inlet (fits inside 1" pipe)	White	7.23 lbs.	100
400-9181	Econ 1" return fitting insider inlet (fits inside 1" pipe)	Black	7.23 lbs.	100
400-9187	Econ 1" return fitting insider inlet (fits inside 1" pipe)	Gray	7.23 lbs.	100
400-9189-DKG	Econ 1" return fitting insider inlet (fits inside 1" pipe)	Dark Gray	7.23 lbs.	100
400-9190	Flush mount return fitting 1" socket (fits inside 1 1/2" pipe)	White	16.13 lbs.	100 (bulk)
400-9191	Flush mount return fitting 1" socket (fits inside 1 1/2" pipe)	Black	16.13 lbs.	100 (bulk)
400-9197	Flush mount return fitting 1" socket (fits inside 1 1/2" pipe)	Gray	16.13 lbs.	100 (bulk)
400-9199-DKG	Flush mount return fitting 1" socket (fits inside 1 1/2" pipe)	Dark Gray	16.13 lbs.	100 (bulk)
400-9199-BEI	Flush mount return fitting 1" socket (fits inside 1 1/2" pipe)	Beige	16.13 lbs.	100 (bulk)
400-9190P	Flush mount return fitting with plaster plug 1" socket (fits inside 1 1/2" pipe)	White	27 lbs.	220 (bulk)
400-9191P	Flush mount return fitting with plaster plug 1" socket (fits inside 1 1/2" pipe)	Black	27 lbs.	220 (bulk)
400-9197P	Flush mount return fitting with plaster plug 1" socket (fits inside 1 1/2" pipe)	Gray	27 lbs.	220 (bulk)
400-9199P-DK	Flush mount return fitting with plaster plug 1" socket (fits inside 1 1/2" pipe)	Dark Gray	27 lbs.	220 (bulk)
400-9390	Flush mount return fitting 1 1/2" socket	White	38.95 lbs.	190
400-9397	Flush mount return fitting 1 1/2" socket	Gray	38.95 lbs.	190
400-9390P	Flush mount return fitting with plaster plug 1 1/2" socket	White	43.68 lbs.	180
400-9397P	Flush mount return fitting with plaster plug 1 1/2" socket	Gray	43.68 lbs.	180
550-9230	Self-aligning return fitting 3/4" eye (fits inside 1 1/2" pipe)	White	6.42 lbs.	100 (indiv.)
550-9231	Self-aligning return fitting 3/4" eye (fits inside 1 1/2" pipe)	Black	6.42 lbs.	100 (indiv.)
550-9237	Self-aligning return fitting 3/4" eye (fits inside 1 1/2" pipe)	Gray	6.42 lbs.	100 (indiv.)
550-9239-DKG	Self-aligning return fitting 3/4" eye (fits inside 1 1/2" pipe)	Dark Gray	6.42 lbs.	100 (indiv.)
550-9240	Self-aligning return fitting 1" eye (fits inside 1 1/2" pipe)	White	8 lbs.	100 (bulk)
550-9247	Self-aligning return fitting 1" eye (fits inside 1 1/2" pipe)	Gray	8 lbs.	100 (bulk)
550-9249-DKG	Self-aligning return fitting 1" eye (fits inside 1 1/2" pipe)	Dark Gray	8 lbs.	100 (bulk)

Fittings

# Gunite Jets / Mini Storm Thread-In Gunite Jets

**Thread-in  
Gunite  
Jets**



## Mini Storm Thread-In Spa Jets

Part No.	Description	Color	Case Weight	Case Qty
229-1000	Mini Gunite Straight Body Assy. - 1/2" S, 1" SP x 1" S, 1/2" SP - Threaded Ring & Niche	White	32.08 lbs.	30
229-1010	Mini Gunite Tee Body Assy. - 1 1/2" S Air x 2" S Water - Threaded Ring & Niche	--	31.50 lbs.	30
215-1170	Wall Fitting - Mini Storm Gunite Threaded	--	4.04 lbs.	20
425-5070	Mini Gunite Jet Niche Adapter	White	7.93 lbs.	40
425-5077	Mini Gunite Jet Niche Adapter	Gray	7.93 lbs.	40
211-3040	Mini Gunite Poly and Power Straight Jet Body - 1" Spigot x 1 1/2" Spigot	--	30.0 lbs.	50
211-3060	Mini Gunite Poly and Power Tee Jet Body - 1 1/2" Air x 2" Water	--	20.75 lbs.	50
212-4700	Gunite Retainer Ring Assembly (with O-ring)	--	15.2 lbs.	500

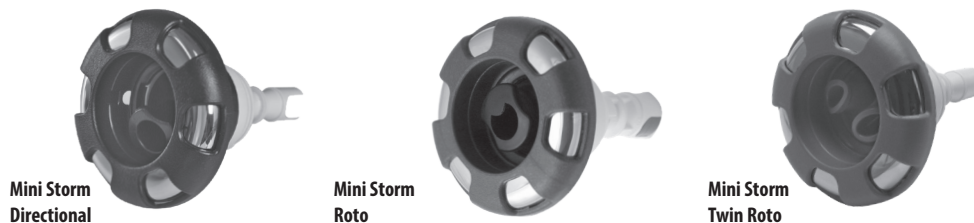
\* 1" and 2 1/2" pipes not included

**Thread-in  
Gunite  
Jets**



## Mini Storm Gunite Jet Internals

Part No.	Jet Type	Eyeball	Size	Style	Case Qty.
229-7920	Mini-Storm	Directional	3"	5-Scallop	250
229-7930	Mini-Storm	Roto	3"	5-Scallop	250
229-7950	Mini-Storm	Twin Roto	3"	5-Scallop	250
218-1960A	Air Pipe Measuring Tool	--	--	--	60



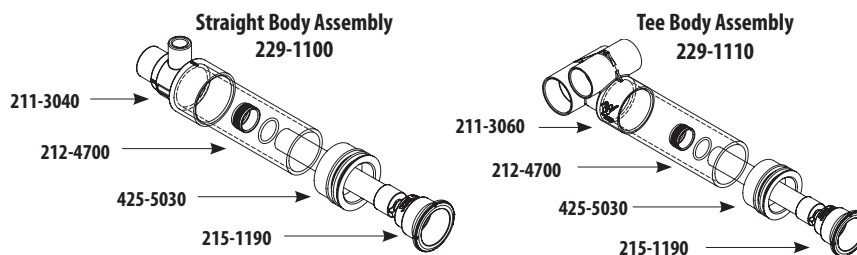
## Mini Storm Thread-In Gunite Internals

Part No.	Jet Type	Eyeball	Size	Color	Case Qty.
229-8630S	Mini Storm	Directional	3 5/16"	White	180
229-8640S	Mini Storm	Roto	3 5/16"	White	200
229-8650S	Mini Storm	Twin Roto	3 5/16"	White	200

See our wide variety of Thread-in Spa Jets in the Spa section of our catalog pages 98 - 109  
**Note:** Replace the final # in the part number with the color of your choice, 0 - white, 1 - black, 7 - gray  
 Products shown may be covered under patents US8458825, CA2644557, 5920925.



**Thread-in  
Gunite  
Jets**



### Poly Storm Thread-In Gunite Body Assemblies

Part No.	Description	Color	Case Weight	Case Quantity
<b>229-1100</b>	Straight Body Assembly - 1" Spigot Air x 1 1/2" Spigot Water – Niche	White	32.81 lbs.	30
<b>229-1110</b>	Tee Body Assembly - 1 1/2" S Air x 2" S Water - Threaded Ring and Niche	White	22.67 lbs.	15
<b>211-3040</b>	Straight Body Only	White	30.8 lbs.	50
<b>211-3060</b>	Tee Body Only	White	20.75 lbs.	20
<b>212-4700</b>	Threaded Retainer Ring with O-Ring	White	15.2 lbs.	500
<b>425-5030</b>	Poly Gunite Jet Niche Adapter	White	6.17 lbs.	30
<b>215-1190</b>	Wall Fitting	White	21.84 lbs.	100
<b>215-1197</b>	Wall Fitting	Gray	21.84 lbs.	100

\* 1" and 2 1/2" pipes not included



**Poly Storm Directional**

**Poly Storm Roto**

**Poly Storm Twin Roto**

**218-1960A**

**Poly Storm Hand Held Thread-In 229-3350**

### Poly Storm Gunite Jet Internals

Part No.	Type	Style	Color	Case Quantity
<b>229-8050</b>	Directional	5-Scallop	White	130
<b>229-8010</b>	Roto	5-Scallop	White	150
<b>229-8120</b>	Twin Roto	5-Scallop	White	130
<b>218-1960A</b>	Air Pipe Measuring Tool			60
<b>229-3350</b>	Poly Storm Hand Held Thread-In			



**Poly Storm Directional**

**Poly Storm Roto**

**Poly Storm Twin Roto**

### Poly Storm Thread-In Gunite Internals

Part No.	Jet Type	Eyeball	Size	Color	Case Qty.
<b>229-8590S</b>	Poly Storm	Directional	3 5/8"	White	100
<b>229-8570S</b>	Poly Storm	Roto	3 5/8"	White	100
<b>229-8580S</b>	Poly Storm	Twin Roto	3 5/8"	White	100

For Revo, refer to pages 107. See our wide variety of Thread-In Spa Jets in the Spa section of our catalog on pages 98 - 109.

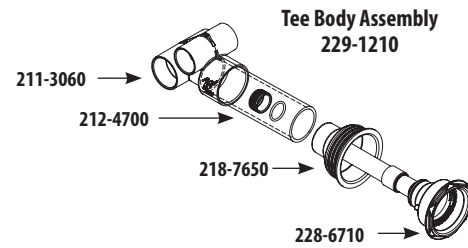
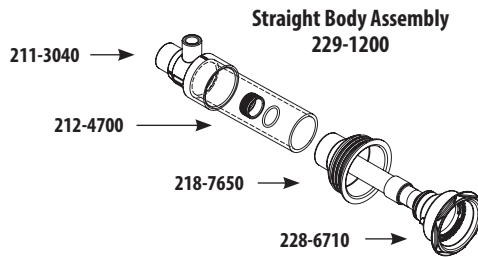
**Note:** Replace the final # in the part number with the color of your choice, 0 - white, 1 - black, 7 - gray

Products shown may be covered under patents US8458825, CA2644557, 5920925, D574964, D591863.



## Gunite Jets / Power Storm Thread-In Gunite Jets

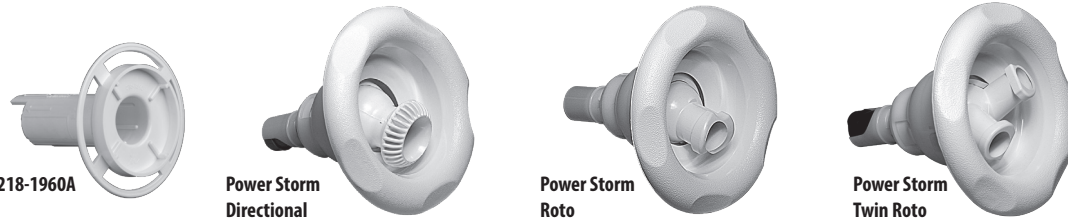
**Thread-in  
Gunite  
Jets**



### Power Storm Thread-In Gunite Body Assemblies

Part No.	Description	Color	Case Weight	Case Quantity
<b>229-1200</b>	Straight Body Assembly - 1" Spigot Air x 1 1/2" Spigot Water	White	24 lbs.	12
<b>229-1210</b>	Tee Body Assembly - 1 1/2" S Air x 2" S Water	White	24 lbs.	12
<b>211-3040</b>	Straight Body Only	White	30.8 lbs.	50
<b>211-3060</b>	Tee Body Only	White	20.75 lbs.	20
<b>212-4700</b>	Threaded Retainer Ring with O-Ring	White	15.2 lbs.	500
<b>218-7650</b>	Plaster Niche	White	17.34 lbs.	50
<b>218-7657</b>	Plaster Niche	Gray	17.34 lbs.	50
<b>228-6710</b>	Wall Fitting, Thread-in	White	20.8 lbs.	40

\* 1" and 2 1/2" pipes not included



### Power Storm Thread-In Gunite Internals

Part No.	Type	Style	Color	Case Weight	Case Quantity
<b>229-7630G</b>	Directional	5-Scalloped	White	18 lbs.	50
<b>229-7600G</b>	Roto	5-Scalloped	White	20 lbs.	50
<b>229-7610G</b>	Twin Roto	5-Scalloped	White	20 lbs.	50
<b>218-1960A</b>	Air Pipe Measuring Tool			7.03 lbs.	25



### Power Storm Thread-In Gunite Internals

Part No.	Type	Style	Color	Case Weight	Case Quantity
<b>229-7570SG</b>	Directional	6-Spoke	White	18 lbs.	45
<b>229-7550SG</b>	Roto	6-Spoke	White	20 lbs.	45
<b>229-7560SG</b>	Twin Roto	6-Spoke	White	20 lbs.	45

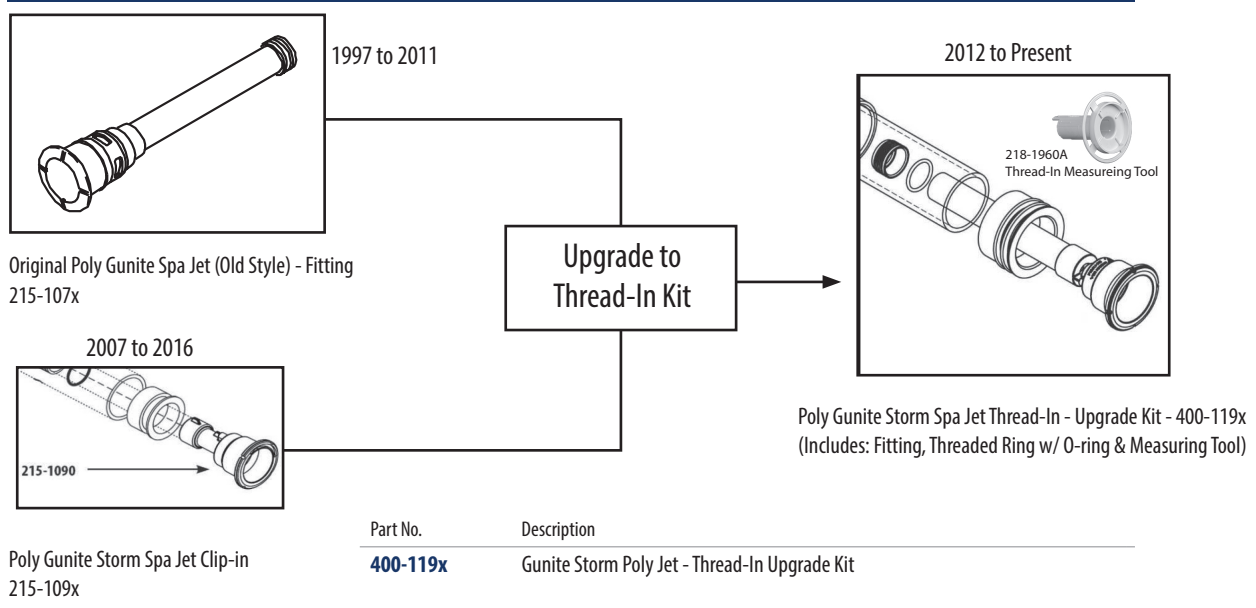
**Note:** All part numbers are for the new thread-in style jet internals

To order snap-in internals; change the part number prefix to 212-xxxx

**Note:** Replace the final # in the part number with the color of your choice, 0 - white, 1 - black, 7 - gray

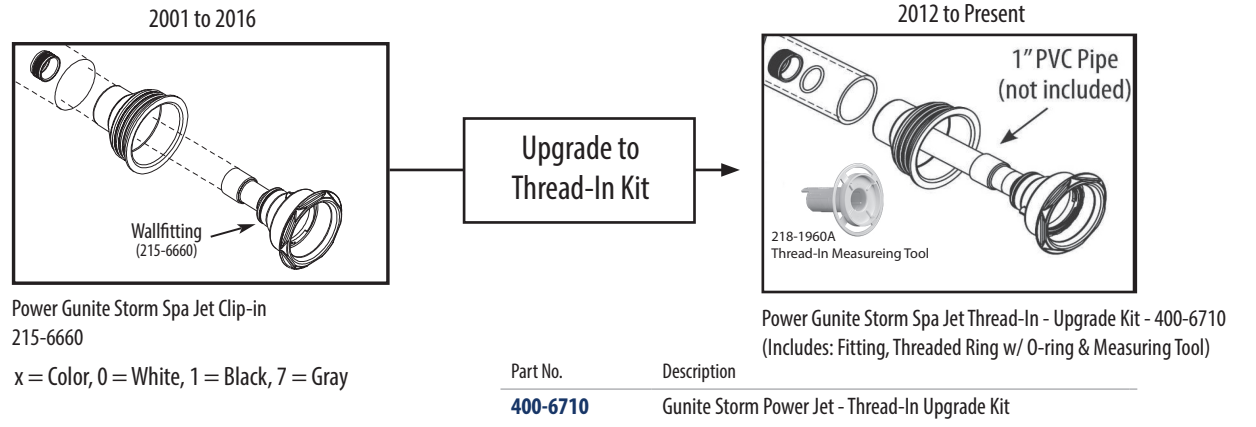
**Note:** Products shown may be covered under patents US8458825, CA2644557, 5920925, D574964.

**Gunite Storm Poly Jet - Thread-In Upgrade Kit**



Gunite Jets

**Gunite Storm Power Jet - Thread-In Upgrade Kit**





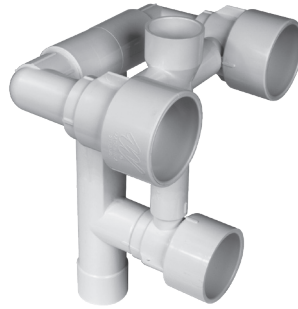
# Gunite Jets / Thread-in Jet Manifolds & AquaShapes Storm Jet Systems

Patent # US9,377,147

## NEW!



210-3440G



210-3420G

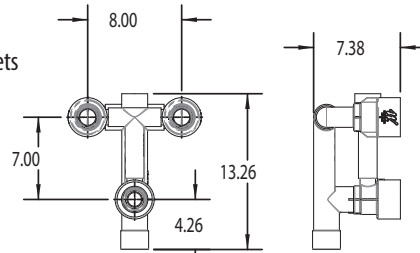
## Thread-in Gunite Jets



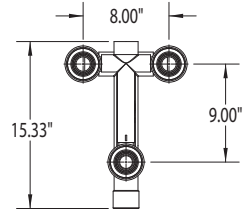
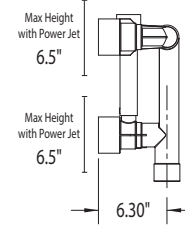
210-3450G

### Features:

- Pre-Plumbed Air and Water Connections: one connection for water and one for air for all three jets
- All three jet bodies accommodate Waterway's popular Poly Storm Gunite or Power Storm Gunite jets
- 2" Spigot fitting for water
- 1 1/2" S fitting for air
- Saves time and money



7" Gunite - 3-Jet Manifold



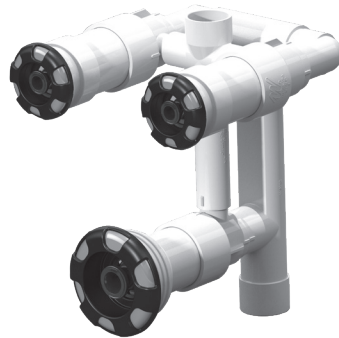
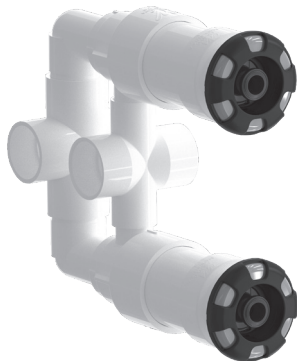
9" Gunite - 3-Jet Manifold

### 3-Jet Thread-In Manifold - Power Seat

Part No.	Description	Color	Case Weight	Case Quantity
210-3410G	9" Gunite Power Seat Kit - 3-Jet Manifold for Poly and Power Storm	White	15.22 lbs.	4
210-3420G	7" Gunite Power Seat Kit - 3-Jet Manifold for Poly and Power Storm	White	--	--
210-3430G	9" Gunite Power Seat Kit - 2-Jet Manifold for Poly and Power Storm	White	--	--
210-3440G	7" Gunite Power Seat Kit - 3-Jet Manifold for Poly and Power Storm	White	--	--
210-3450G	1-Jet Manifold for Poly and Power Storm	White	--	--

**Note:** Products shown may be covered under patents US8458825, CA2644557, 5920925, D574964, D591863 or pending patent.

## Aqua Shapes®



## Also available with jet internals

## NEW!

**NEW!**



**Replaces Legacy Poly Gunite Thread-In Jets!**

**Features:**

- Easier to install
- Utilizes less parts
- More affordable versions of our legacy poly gunite jets
- Available in black, white & gray
- Greater variety of flow for more massage options
- Available in three internal styles

Gunite Jets

Poly Gunite II Jet Internals			
Part No.	Description	Style	Case Quantity
229-1800	Directional	Scalloped	--
229-1810	Roto	Scalloped	--
229-1820	Twin Roto	Scalloped	--



210-6550



210-6540



210-6080



210-6170



210-6190



210-6180\*

Legacy Poly Gunite Jet Internals (Old Style)			
Part No.	Type	Style	Case Quantity
210-6550	Directional	Textured - 5-Scallop	50
210-6540	Directional	Large Face - Textured - 5-Scallop	25
210-6080	Fixed Directional	Scalloped	50
210-6180*	Directional - Large Face	Scalloped	75
210-6170	Pulsator - Large Face	Scalloped	70
210-6190	Roto - Large Face	Scalloped	70

\*Note: Replace the final # in the part number with the color of your choice, 0 - white, 1 - black, 7 - gray



## Gunite Jets / Old Faithful Jets - Gunite & Vinyl Liner

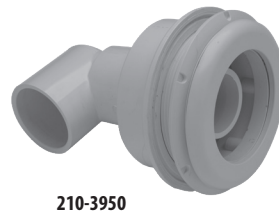
Gunite Jets



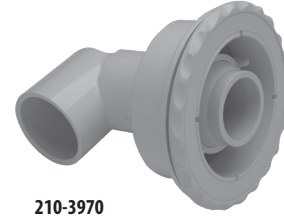
210-7350



210-3920G



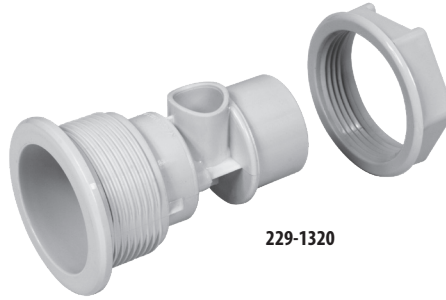
210-3950



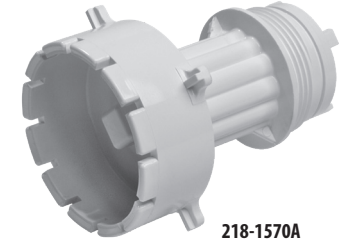
210-3970



400-9090



229-1320



218-1570A

### Gunite Old Faithful Jet

Part No.	Description	Color	Case Weight	Case Quantity
<b>210-3920G</b>	O/F Dir Strt Gunite - 2" S x 1/2" S W - 175 GPM & 90 GPM	White	10.35 lbs.	6
<b>210-7350</b>	O/F Vinyl Liner - 90° Body - 2" S x 1/2" S W - 175 GPM & 90 GPM	White	10.35 lbs.	6

**\*Note:** Replace the final x in the part number with the color of your choice, "x" = 0 - white, 1 - black, 7 - gray

### Vinyl Liner Old Faithful Jet

Part No.	Description	Color	Case Weight	Case Quantity
<b>210-3950</b>	O/F Vinyl Liner - 90° Body - 2" S x 1/2" S W - 175 GPM & 90 GPM	White	30.05 lbs.	500
<b>210-3970</b>	O/F Vinyl Liner - 2" S x 1/2" S W - 175 GPM & 90 GPM	White	30.05 lbs.	500

**\*Note:** Replace the final x in the part number with the color of your choice, "x" = 0 - white, 1 - black, 7 - gray

### Vinyl Liner Poly Storm Body

Part No.	Description	Color	Case Weight	Case Quantity
<b>400-9090</b>	Vinyl Liner Poly Storm Body - Threaded 1/2" S x 1 1/2" S (insert not included)	White	30.51 lbs.	50

**\*Note:** Replace the final x in the part number with the color of your choice, "x" = 0 - white, 1 - black, 7 - gray

**\*Note:** Poly Internals available on pgs. 62, 106 - 108

### Fiberglass Poly Storm Body

Part No.	Description	Color	Case Weight	Case Quantity
<b>229-1320</b>	Fiberglass Poly Storm Body 1/2" S x 1 1/2" Spg	White	--	--

**\*Note:** Replace the final x in the part number with the color of your choice, "x" = 0 - white, 1 - black, 7 - gray

**\*Note:** Poly Internals available on pgs. 62, 106 - 107





210-4100



210-4120



210-4130

### Hydro Gunite Spa Jets

Part No.	Description	Case Weight	Case Quantity
<b>210-4100</b>	Hydro gunite jet body - 1 1/2" S x 1 1/2" S x 2" FPT	28 lbs.	30
<b>210-4110</b>	Hydro gunite jet body - 1 1/2" S x 1 1/2" S x 1 1/2" S	28.45 lbs.	30
<b>210-4120</b>	Directional eye - 1 1/2" S x 1 1/2" S - white (also for fiberglass)	28 lbs.	50
<b>210-4130</b>	Roto eye - 1 1/2" S x 1 1/2" S - white (also for fiberglass)	28 lbs.	24

For Return Fittings, see page 49.

### Complete tee body assembly - 210-3400



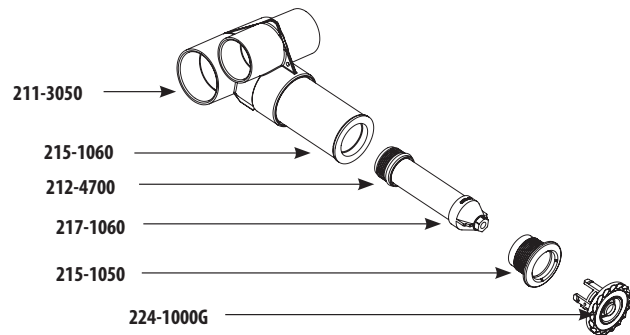
224-1000G



224-1040G



218-1500



### Mini Gunite Body Assembly

Part No.	Description	Color	Case Weight	Case Quantity
<b>210-3400</b>	Complete tee body assembly	White	22.74 lbs.	20
<b>218-1500</b>	Wrench - new style mini jet with S.S pins & hex	White	21.42 lbs.	65
<b>224-1040G</b>	Gunite pulsator M/J eyeball assembly	White	6.91 lbs.	100
<b>211-3050</b>	Tee body only - 2" S x 1 1/2" S	White	22.34 lbs.	25
<b>215-1060</b>	Gunite wall fitting	White	8.24 lbs.	150
<b>212-4700</b>	Gunite retainer ring with o-ring	White	15.2 lbs.	500
<b>217-1060</b>	Gunite nozzle	White	10.38 lbs.	500
<b>215-1050</b>	Eyeball wall fitting	White	30.05 lbs.	500

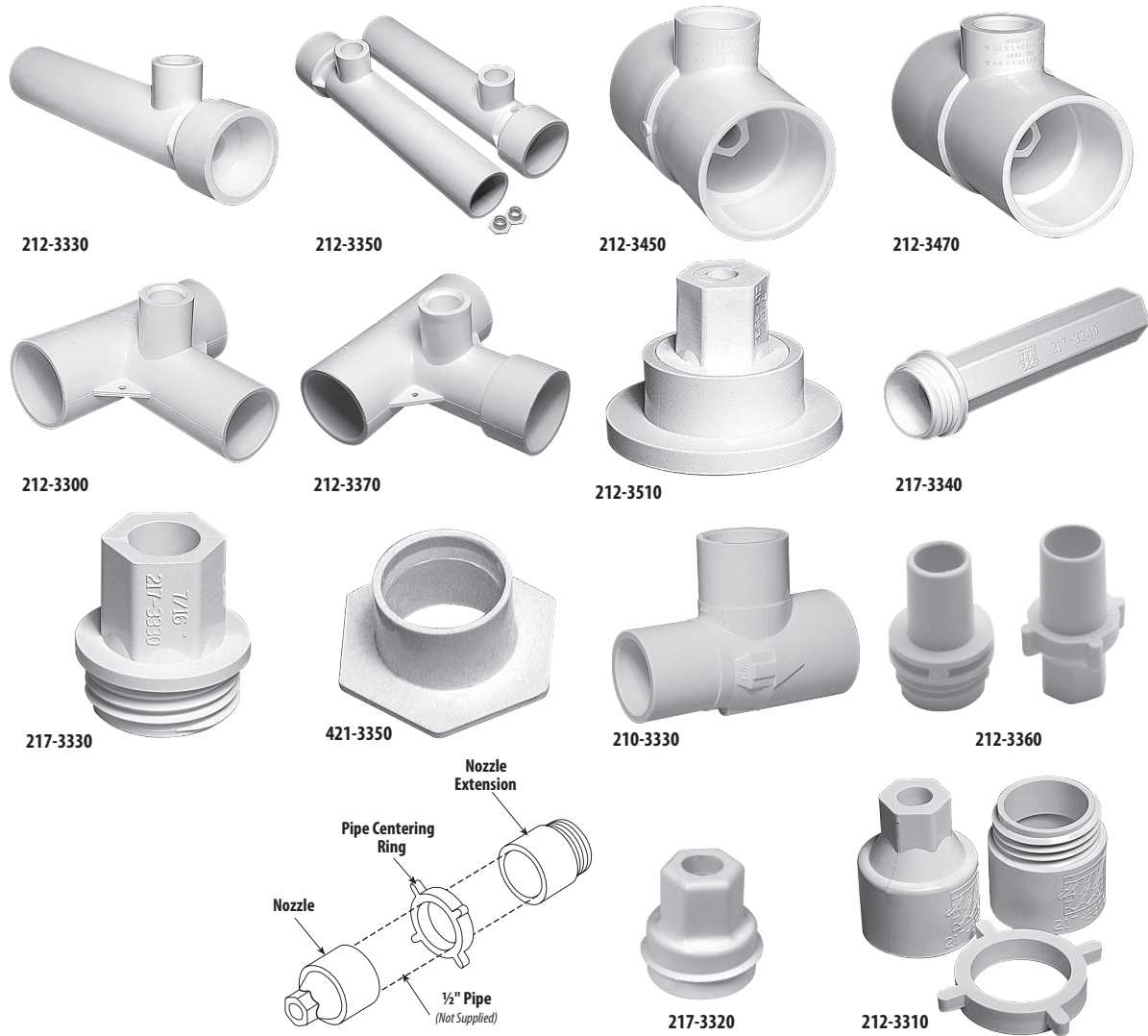
### Mini Gunite Jet Internals

Part No.	Type	Style	Color	Case Quantity
<b>224-1000G</b>	Directional	Scalloped	White	50
<b>224-1001G</b>	Directional	Scalloped	Black	50
<b>224-1007G</b>	Directional	Scalloped	Gray	50



# Gunite Jets / Gunite Venturi Tees

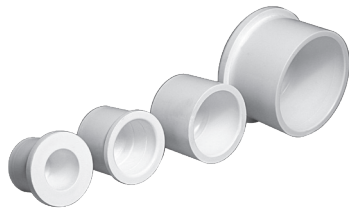
Gunite Jets



## Gunite Venturi Tees

Part No.	Description	Orifice	GPM	Case Weight	Case Quantity
212-3330*	10" tee - 1 1/2" S x 1/2" S - 3/4" spigot x 1 1/2" spigot	7/16"	17-20	32 lbs.	50 (2/bag)
212-3340*	10" tee - 1 1/2" S x 1/2" S - 1" spigot x 1 1/2" spigot	7/16"	17-20	32.26 lbs.	50 (2/bag)
212-3350*	10" tee - 1 1/2" S x 1/2" S - 1" spigot x 1 1/2" spigot	5/16"	10-12	32 lbs.	50 (2/bag)
212-3440	Tee with nozzle - 1 1/2" S / 2" spigot x 3/4" S / 1" spigot	7/16"	17-20	18.30 lbs.	50
212-3450	Tee with nozzle - 1 1/2" S / 2" spigot x 3/4" S / 1" spigot	1/4"	7-9	18 lbs.	50
212-3470	Tee with nozzle - 1 1/2" S / 2" spigot x 1/2" S / 1" spigot	7/16"	17-20	8 lbs.	50
212-3300	Gunite double tee body assembly - 1 1/2" spigot	5/16"	10-12	27.18 lbs.	45
212-3360	Nozzle extension kit for #7 tee	3/8"	14-16	5.82 lbs.	200
212-3370	Gunite double tee body assembly - 1 1/2" S	5/16"	10-12	24.77 lbs.	40
212-3510	Tee jet insert assembly - 7/16"	7/16"	17-20	17.55 lbs.	50
217-3340	4" nozzle (included with 10" tee)	7/16"	17-20	6.76 lbs.	125
217-3330	Venturi tee nozzle - 7/16"	7/16"	17-20	5.09 lbs.	400
217-3350	Venturi tee nozzle - 1/4"	1/4"	7-9	6.19 lbs.	400
421-3350	Orifice reducer (fits inside 7/16" orifice)	3/8"	14-16	1.00 lbs.	300
210-3330	Venturi tee #7 - 1" S x 1" spigot - 3/4" S (#7 nozzle included - not sold separately)	3/8"	14-16	11.70 lbs.	70
217-3320	Gunite venturi tee standard nozzle - 5/16"	5/16"	--	16.93 lbs.	1250
212-3310	Nozzle extension kit (fits all gunite venturi tees except #7 tee)	5/16"	10-12	8.79 lbs.	180

\* 4" nozzle and 3/8" orifice reducer included



Spigot plugs



400-4140



400-6600



715-1230



602-3167\*

### Plugs and Grate Inserts

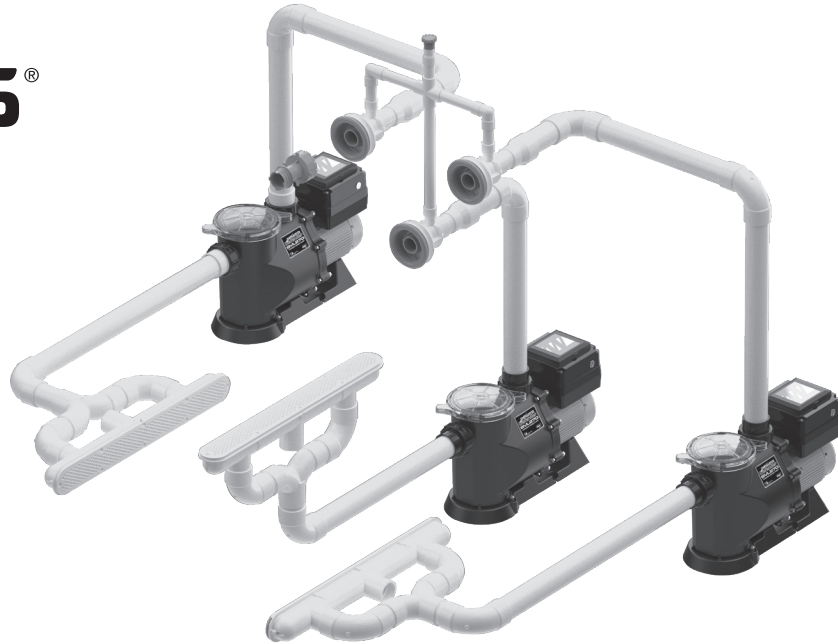
Part No.	Description	Color	Case Weight	Case Quantity
715-0000	Plug - 1/2" spigot	White	16.6 lbs.	800
715-9890	Plug - 3/4" spigot	White	19.71 lbs.	600
715-2000	Plug - 1" spigot	White	7.16 lbs.	200
715-4000	Plug - 1 1/2" spigot	--	7.67 lbs.	100
715-9880	Plug - 2" spigot	White	16.16 lbs.	100
400-4140	Flush plug - 1 1/2" MPT with gasket	White	6.16 lbs.	150 (indiv.)
400-4141	Flush plug - 1 1/2" MPT with gasket	Black	6.16 lbs.	150 (indiv.)
400-4147	Flush plug - 1 1/2" MPT with gasket	Gray	6.16 lbs.	150 (indiv.)
400-4149-BEI	Flush plug - 1 1/2" MPT with gasket	Beige	6.16 lbs.	150 (indiv.)
400-6600	Universal plug - 1 1/2" MPT with o-ring	White	9.32 lbs.	100 (indiv.)
400-6601	Universal plug - 1 1/2" MPT with o-ring	Black	9.32 lbs.	100 (indiv.)
400-6600-100	Universal plug - 1 1/2" MPT with o-ring	White	8.91 lbs.	100 (bulk)
400-6601-100	Universal plug - 1 1/2" MPT with o-ring	Black	8.91 lbs.	100 (bulk)
400-662xB	Drain assy. - universal plug 1 1/2" MPT with o-ring - long thread (new style)	--	--	--
400-6650	Universal plug - 2" NPT with o-ring	White	12.44 lbs.	100
400-6651	Universal plug - 2" NPT with o-ring	Black	12.44 lbs.	100
715-1230	Plug - 1 1/2" NPT	White	14.42 lbs.	240 (bulk)
715-9910	Plug - 2" NPT	White	13.89 lbs.	150
602-3160*	Grate insert - 1 1/2" MPT	White	3.69 lbs.	140
602-3161*	Grate insert - 1 1/2" MPT	Black	3.69 lbs.	140
602-3167*	Grate insert - 1 1/2" MPT	Gray	3.69 lbs.	140
602-3160B*	Grate insert - 1 1/2" MPT	White	--	--

\*Do not use as a suction cover

# AquaShapes®

**Features:**

- 2.70 HP high head pumps
- High powered jets
- Strip drains and air control
- Assorted plumbing fixtures



AquaShapes

### Swim Jet Kits

Part No.	Description	Color
545-9100	Swim Jet for Gunite	White
545-9107	Swim Jet for Gunite	Gray
545-9200	Swim Jet for Vinyl	White
545-9207	Swim Jet for Vinyl	Gray
545-9300	Swim Jet for Fiberglass	White
545-9307	Swim Jet for Fiberglass	Gray

**NEW!**



**Features:**

- A complete AquaShapes Deck Jet Kit contains two pop-up deck jets.
- AquaShapes Deck Jets “pop-up” when in use, and retract flush when off.
- Designed to insert into 1-1/2" Sch 40 pipe for easy installation and serviceability.
- AquaShapes Deck Jets operate at low flow, so no additional pumps are required.

### Deck Jet Kits

Part No.	Description	Color
675-0727-2B	2pk deck jet kit	Gray

## Pool Valves / TruSeal Diverter Valves / Swing Check Valves / 3" Check Valve



### FEATURES:

- Diverter valve seal is Teflon laminated silicone
- Unique manufacturing process called TruSeal results in a seal that never needs lubrication
- TruSeal valves have deeper sockets than other valves providing better glue joint bonding
- The exclusive click & lock handle has 72 locking positions / points for virtually any setting desired
- Exclusive flow labels give your plumbing a professional look and more value
- Universal shaft spline pattern adapts to most actuators
- Waterway manufacturers all TruSeal Diverter valves in the USA
- Valve seal lifetime warranty



600-0401



600-7100-CPVC



600-0451-CPVC

### TruSeal Diverter Valves

Part No.	Description	Case Qty.
600-0401	3-way - 2 1/2" socket x 3" spigot	
600-7100-CPVC	3-way - 2" socket x 2 1/2" spigot - CPVC	
600-7200-CPVC	3-way - 1 1/2" socket x 2" spigot - CPVC	
600-7060-CPVC	2-way straight - 2" socket x 2 1/2" spigot - CPVC	
600-7070-CPVC	2-way straight - 1 1/2" socket x 2" spigot - CPVC	
600-7040-CPVC	2-way 90° - 2" socket x 2 1/2" spigot - CPVC	
600-7050-CPVC	2-way 90° - 1 1/2" socket x 2" spigot - CPVC	
600-0451	2-way - 2.5" socket x 3" spigot - CPVC	

Valves

### FEATURES:

- Union lock ring allows for easy access - no screw holes to strip out (excludes 600-0111)
- Seal flapper is made of hi-tech thermoplastic polymer
- Corrosion proof pin and stainless steel spring
- Reversible flow
- CPVC body for most demanding applications
- Low back pressure and high flow characteristics make it perfect for hydraulically demanding applications

3" TruSeal  
Check Valve  
600-0111



600-7000



600-7010



### TruSeal Swing Check Valves & 3" Check Valve

Part No.	Description	Case Weight (lbs.)	Case Quantity
600-7010	2" Socket x 2 1/2" Spigot - Straight Body - CPVC	33.60	20
600-7030	1 1/2" Socket x 2" Spigot - Straight Body - CPVC	30.08	20
600-7000	2" Socket x 2 1/2" Spigot - 90° Body - CPVC	23.09	18
600-7020	1 1/2" Socket x 2" Spigot - 90° Body - CPVC	23.09	18
600-0111	2 1/2" S / 3" Spigot x 2 1/2" S / 3 SPG - ASSY	12.82	--





# Service Logic

**FEATURES:**

- Durable ABS body
- 7 functions:
  1. Filter
  2. Waste
  3. Backwash
  4. Recirculate
  5. Winterize
  6. Rinse
  7. Closed
- Collar style retrofits standard sand filter bodies

Valves

*Easy-glide action and lock-in-place handle simplifies filter maintenance. These valves feature 7 functions with hose fitting for waste water.*



**Hayward® Replacement (WVS009)**



**PRAHER® Style (WVD002)**



**Waterway (2002 to current) (WVS003)**



**PRAHER®/Doughboy® Replacement (WVS003-01B)**

## Top Mount Sand Filter Valves

Part No.	Description	Weight (lbs.)
<b>WVS002</b>	1 ½" Top-mount 7-function sand filter valve - collar style (previous to 2002)	6
<b>WVS003</b>	1 ½" Top-mount 7-function sand filter valve - split-nut style (2002 to present)	7
<b>WVS009</b>	Top mount multi-port sand filter valve Hayward® replacement	7
<b>WVD001</b>	2" FPT w/ PLM long top mount multi-port valve PRAHER® style	7
<b>WVD002</b>	2" Socket w/ PLM long top mount multi-port valve PRAHER®	7
<b>WVS003-01B</b>	1 ½" Top-mount 7-function sand filter valve PRAHER®/Doughboy®	7



# WARNING

Read and follow all instructions in the owner's manual for the equipment.  
Failure to follow instructions can cause injury and/or death.

**VGB  
2017**

All Waterway drains, grates and suctions are listed and certified and tested in strict accordance to the requirements of ASME A112.19.8-2007 and ASME A112.19.8a-2017 (as defined in CPSC letter dated April 8, 2011). Compliant to the latest Consumer Safety Product Commission Requirements (CPSC).



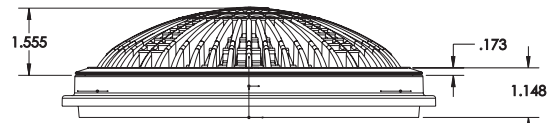
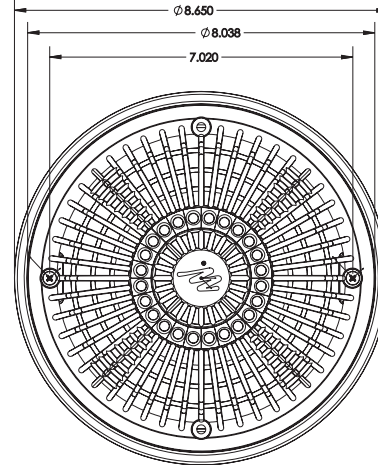
VGB  
2017



640-1800 V

**Specifications:**

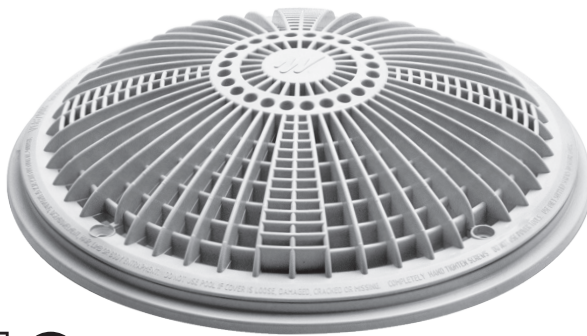
- Total open area: 14.8 sq. in.
- Frame size: 8" round
- Floor flow rate: 120GPM, 2" & 2.5" plumbing
- Wall flow rate: 80 GPM, 2" & 2.5" plumbing
- Flow rate @ 1.5 ft/sec: 68 GPM



**Tru Flo 8" Covers and Frames**

Part No.	Description	Case Weight	Case Quantity
640-180x V	8" Tru Flo cover & frame	25.88 lbs.	25

Replace the final x in the part number with the color of your choice (see page 4 for colors)



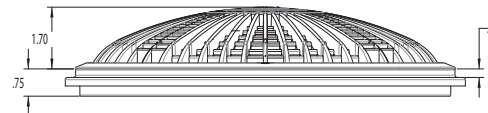
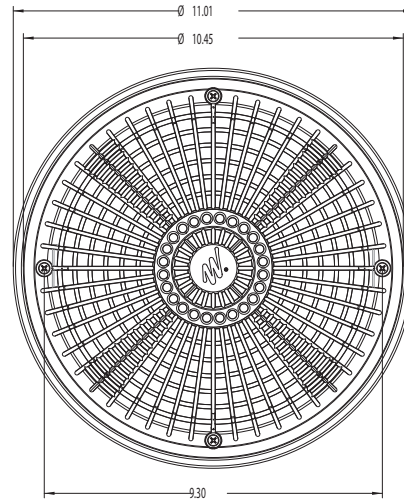
VGB  
2017



640-1900 V

**Specifications:**

- Total open area: 30.9 sq. in.
- Frame size: 10" round
- Floor flow rate: 200 GPM, 3" plumbing
- Wall flow rate: 136 GPM, 3" plumbing
- Flow rate @ 1.5 ft/sec: 143 GPM



**Tru Flo 10" Covers and Frames**

Part No.	Description	Case Weight	Case Quantity
640-190x V	10" Tru Flo cover & frame	22.75 lbs.	15

Replace the final x in the part number with the color of your choice (see page 4 for colors)

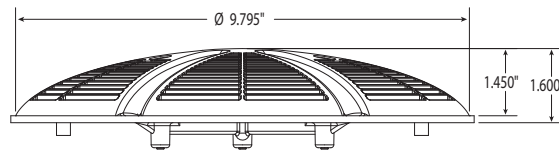
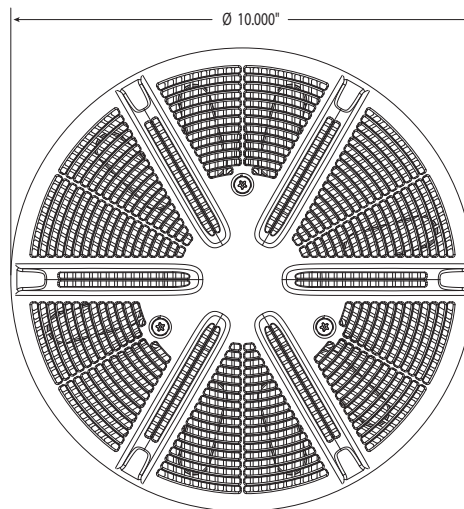
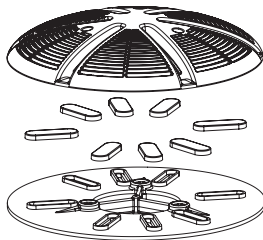


640-2130 V



**Specifications:**

- Total open area: 20 sq. in.
- Frame size: 10" round
- Floor flow rate: 178 GPM, 2" & 3" plumbing
- Wall flow rate: 132 GPM, 2" & 3" plumbing
- Flow rate @ 1.5 ft/sec: 95 GPM



**10" Ultra-Retro Drains**

Part No.	Description	Case Weight	Case Quantity
640-213x V	10" Ultra-Retro drain suction outlet	1.91 lbs.	1

Replace the final x in the part number with the color of your choice (see page 4 for colors).

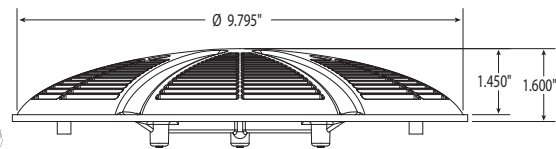
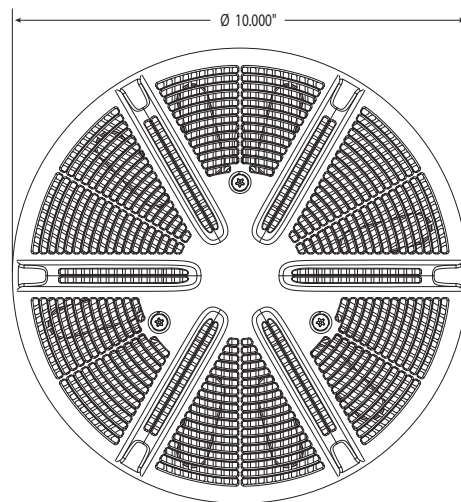
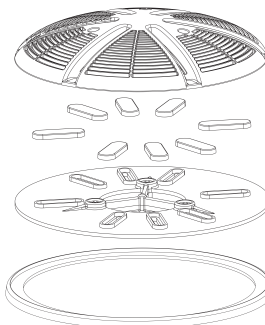


640-2140 V



**Specifications:**

- Total open area: 20.4 sq. in.
- Frame size: 10" round
- Floor flow rate: 178 GPM, 2" & 3" Plumbing
- Wall flow rate: 132 GPM, 2" & 3" Plumbing
- Flow rate @ 1.5 ft/sec: 95 GPM



**10" Ultra-Retro Drains - Vinyl**

Part No.	Description	Case Weight	Case Quantity
640-214x V	10" Ultra-Retro drain suction outlet - vinyl	2.08 lbs.	1

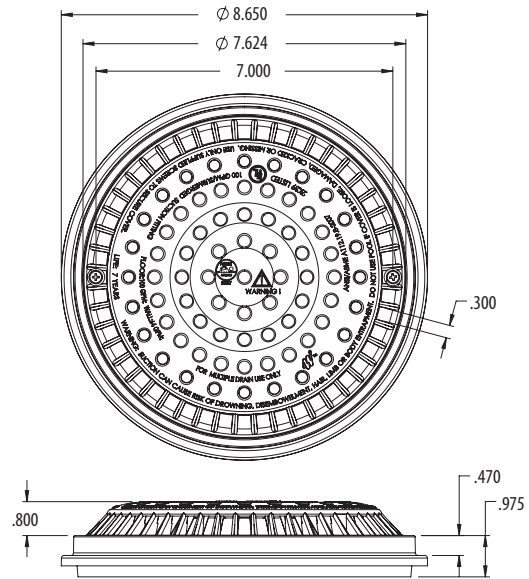
Replace the final x in the part number with the color of your choice (see page 4 for colors)



## Drains & Suctions / 8" Anti-Vortex Drains



640-2310 V



### Specifications:

- Total open area: 11.83 sq. in.
- Frame size: 9" round
- Floor flow rate: 100 GPM, 2" & 2.5" plumbing
- Wall flow rate: 64 GPM, 2" & 2.5" plumbing
- Flow rate @ 1.5 ft/sec: 55 GPM

Drains / Suctions

### 8" Covers and Frames

Part No.	Description	Case Weight	Case Quantity
640-231xV	8" anti-vortex cover & frame	18.82 lbs.	25

Replace the final x in the part number with the color of your choice (see page 4 for colors).

### Features:

- Improves flow
- Less turbulence
- Optimizes performance
- Meets Florida building code
- 8" diameter x 7" deep (8")  
(plus sockets)



413-2320

### Sanitary Tee

Part No.	Description	Case Quantity
413-2320	2 1/2" x 2 1/2" x 2 1/2"	15



## Drains & Suctions / Concrete Sump Bodies & Assemblies



674-2410



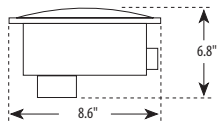
674-2500



640-8500 V



**Note:** Always use two or more drains per pump.



SIDE x BOTTOM

### Concrete Bodies and Assemblies - Side x Bottom w/ Plugs

Part No.	Description	Case Quantity
674-2410	8" sump body - concrete - 1 1/2" S	3
674-2510	8" sump body - concrete - 2" S	7
640-8300 V	8" sump assembly - concrete - 1 1/2" S - with 8" Tru Flo drain cover	1
640-8500 V	8" sump assembly - concrete - 2" S - with 8" Tru Flo drain cover	1

Replace the final x in the part number with the color of your choice (see page 4 for colors).

#### Features:

- Meets Florida building code
- 8" diameter x 7" deep (8") (plus sockets)



674-2600



640-2400 V



674-2900



**Note:** Always use two or more drains per pump.

### Deep Sump Bodies and Assemblies - Side x Bottom w/ Plugs

Part No.	Description	Case Quantity
674-2610	8" deep sump body - concrete - 2 1/2" S	1
640-2410 V	8" deep sump - 2 1/2" S - grated AV	1
640-7410 V	8" deep sump assembly - concrete - 2 1/2" S - with 8" Tru Flo drain cover	1
674-2710	10" deep sump body - concrete - 2 1/2" S	1
674-2910	10" deep sump body - concrete - 3" S	1
640-7510 V	10" deep sump assembly - concrete - 2 1/2" S - with 10" Tru Flo drain cover	1
640-7500 V	10" deep sump assembly - concrete - 2 1/2" FPT - with 10" Tru Flo drain cover	1
640-7610 V	10" deep sump assembly - concrete - 3" S - with 10" Tru Flo drain cover	1
640-7600 V	10" deep sump assembly - concrete - 3" FPT - with 10" Tru Flo drain cover	1

Replace the final x in the part number with the color of your choice (see page 4 for colors).



## Drains & Suctions / Vinyl Liner Sump Bodies & Assemblies



674-2430



674-2530



640-8400 V

### Vinyl Liner Sump Bodies & Assemblies - Side x Bottom w/ plugs

Part No.	Description	Case Quantity
674-2430	8" sump body - vinyl - 1 1/2" S	1
674-2420	8" sump body - vinyl - 1 1/2" FPT	1
674-2520	8" sump body - vinyl - 2" S	1
674-2530	8" sump body - vinyl - 2" FPT	1
640-8400 V	8" sump assembly - vinyl - 1 1/2" S - with 8" Tru Flo drain cover	1
640-8600 V	8" sump assembly - vinyl - 1 1/2" FPT - with 8" Tru Flo drain cover	1
640-8800 V	8" sump assembly - vinyl - 2" S - with 8" Tru Flo drain cover	1
640-8900 V	8" sump assembly - vinyl - 2" FPT - with 8" Tru Flo drain cover	1
640-226X V	8" sump assembly - vinyl liner Tru Flo cover kit	1

Replace the final x in the part number with the color of your choice (see page 4 for colors)



**Note:** Always use two or more drains per pump.

Drains / Suctions



674-2620

#### Features:

- Meets Florida building code
- 8" diameter x 7" deep (8") (plus sockets)



**Note:** Always use two or more drains per pump.

### Vinyl Liner Deep Sump Bodies & Assemblies - Side x Bottom

Part No.	Description	Case Quantity
674-2620	8" deep sump body - vinyl - 2 1/2" S	1

Replace the final x in the part number with the color of your choice (see page 4 for colors)



### Hydrostatic Relief Valve

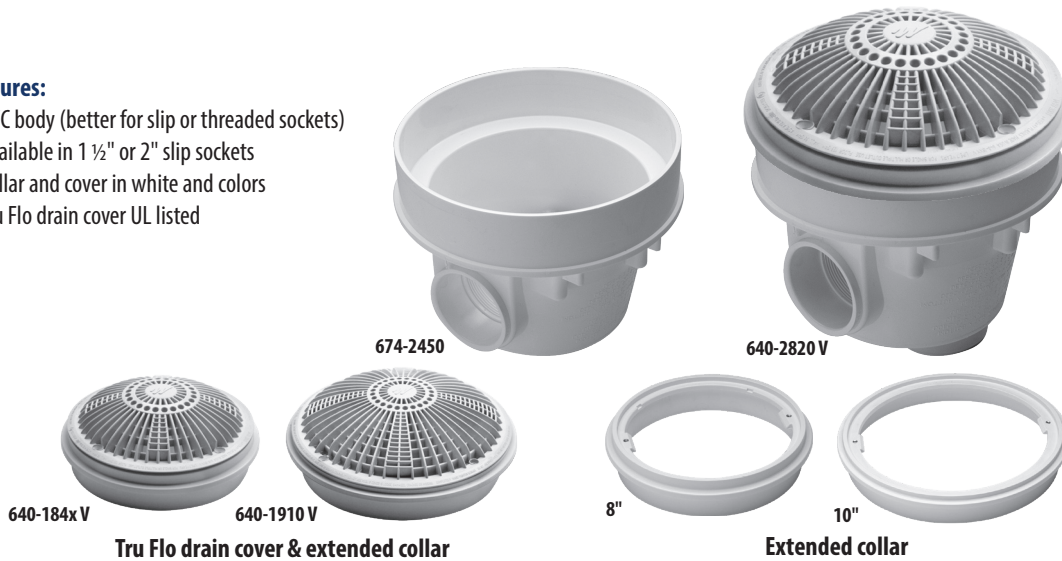
Part No.	Description	Case Qty
600-2100	1 1/2" Hydrostatic Relief Valve / 2" MPT	200
600-2140	2" Hydrostatic Relief Valve	200
600-2150B	2 1/2" Hydrostatic Adapter Kit	--
600-2160B	3" Hydrostatic Adapter Kit	--





**Features:**

- PVC body (better for slip or threaded sockets)
- Available in 1 1/2" or 2" slip sockets
- Collar and cover in white and colors
- Tru Flo drain cover UL listed



Waterway's wide selection of pool drains and drain covers simplifies installation for new or existing pools and spas. We manufacture our drain bodies in PVC for better glue joints or threaded connections. Always use two or more drains per pump.



**Note:** Always use two or more drains per pump.

Drains / Suctions

**Adjustable Collar Sump Bodies & Assemblies**

Part No.	Description	Case Qty
674-2450	8" sump body - adjustable collar - 1 1/2" S (side x bottom) (for color order w/640-234x V)	1
674-2550	8" sump body - adjustable collar - 2" S (side x bottom) (for color order w/640-234x V)	1
674-2560	8" sump body - adjustable collar - 2" S (side only) (for color order w/640-234x V)	1
640-292x V	8" sump assembly - adjustable collar - 2" S (side x bottom) - w/8" anti-vortex drain cover/white only	1
640-234x V	8" anti-vortex drain cover and extended collar assembly	1
640-184x V	8" Tru Flo drain cover and extended collar assembly	1
640-191x V	10" Tru Flo drain cover and extended collar assembly	1

Replace the final x in the part number with the color of your choice (see page 4 for colors)

**Features:**

- Meets Florida building code
- 8" diameter x 7" deep (8") (plus sockets)



**Adjustable Collar Deep Sump Bodies & Assemblies - Side x Bottom**

Part No.	Description	Case Qty
674-2640	8" deep sump body - adjustable collar - 2 1/2" S (for color order w/640-234x V)	1
640-7420 V	8" deep sump body - adjustable collar - 2 1/2" S - with 8" Tru Flo drain cover/white only	1
674-2720	10" deep sump body - adjustable collar - 2 1/2" S (for color order w/640-191x V)	1
674-2730	10" deep sump body - adjustable collar - 2 1/2" FPT (for color order w/640-191x V)	1
674-2920	10" deep sump body - adjustable collar - 3" S (for color order w/640-191x V)	1
640-722x V	10" deep sump body - adjustable collar - 2 1/2" S - with 10" Tru Flo drain cover/white only	1
640-723x V	10" deep sump body - adjustable collar - 2 1/2" FPT - with 10" Tru Flo drain cover/white only	1
640-732x V	10" deep sump body - adjustable collar - 3" S - with 10" Tru Flo drain cover/white only	1
640-733x V	10" deep sump body - adjustable collar - 3" FPT - with 10" Tru Flo drain cover/white only	1

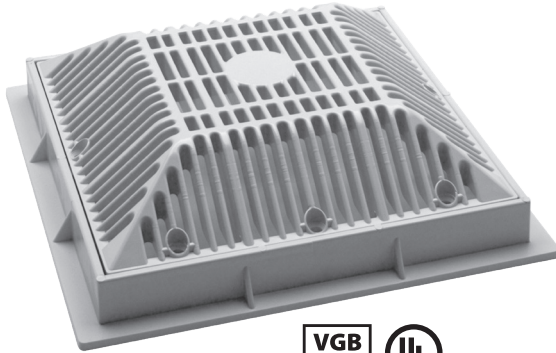
Replace the final x in the part number with the color of your choice (see page 4 for colors)



**Note:** Always use two or more drains per pump.



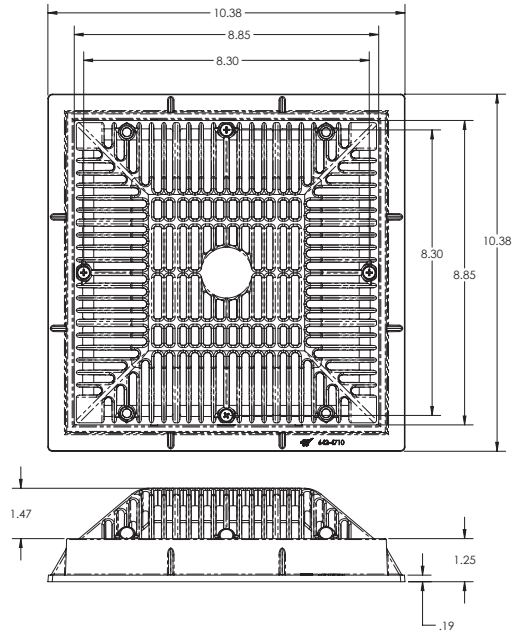
## Drains & Suctions / 9" x 9" & 12" x 12" Grate & Frame



**VGB**  
2017 640-4790 V

**Specifications:**

- Total open area: 43.6 sq. in.
- Frame size: 10.375" x 10.375"
- Floor flow rate: 240 GPM 3" plumbing
- Wall flow rate: 208 GPM 3" plumbing
- Flow rate @ 1.5 ft/sec: 203 GPM



### 9" x 9" Grate and Frame

Part No.	Description	Case Quantity
640-479x V	9" x 9" grate & frame	13

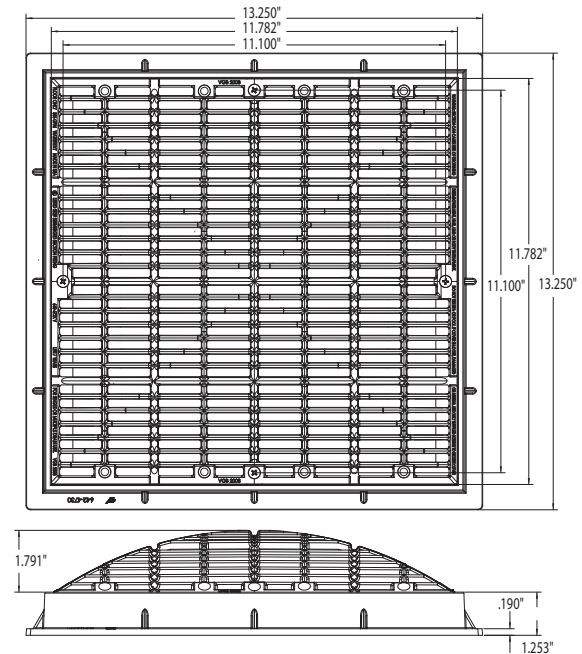
Replace the final x in the part number with the color of your choice (see page 4 for colors)



**VGB**  
2017 640-4720 V

**Specifications:**

- Total open area: 62.4 sq. in.
- Frame size: 13.250" x 13.250"
- Floor flow rate: 356 GPM, 4" plumbing
- Wall flow rate: 280 GPM, 4" plumbing
- Flow rate @ 1.5 ft/sec: 292 GPM

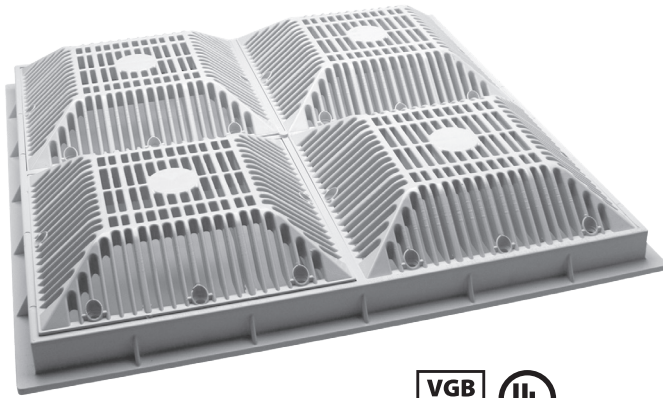


### 12" x 12" Grate and Frame

Part No.	Description	Case Quantity
640-472x V	12" x 12" grate & frame	10

Replace the final x in the part number with the color of your choice (see page 4 for colors)

# Drains & Suctions - Ratings You Can Trust / 18" x 18" & 24" x 24" Grate & Frame



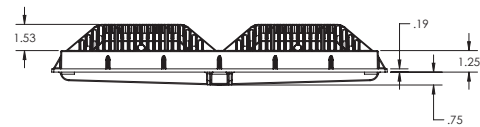
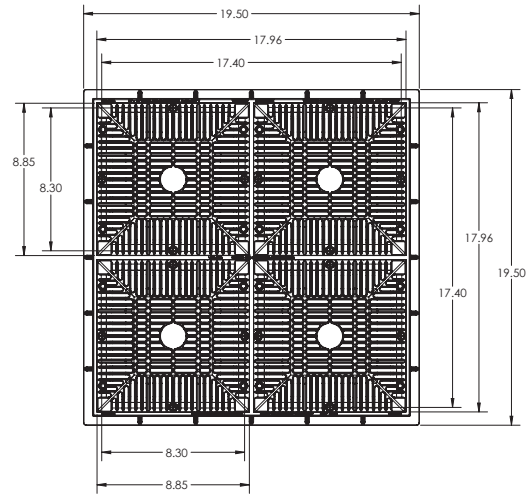
VGB  
2017



640-4770 V

**Features:**

- Total open area: 174.4 sq. in.
- Frame size: 19.5" x 19.5"
- Floor flow rate: 540 GPM, 6" plumbing
- Wall flow rate: N/A
- Flow rate @ 1.5 ft/sec: 812 GPM



## 18" x 18" Grate and Frame

Part No.	Description	Case Quantity
640-477x V	18" x 18" grate & frame	1

Replace the final x in the part number with the color of your choice (see page 4 for colors)



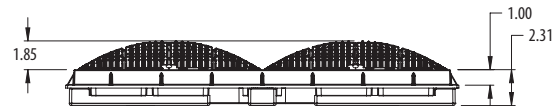
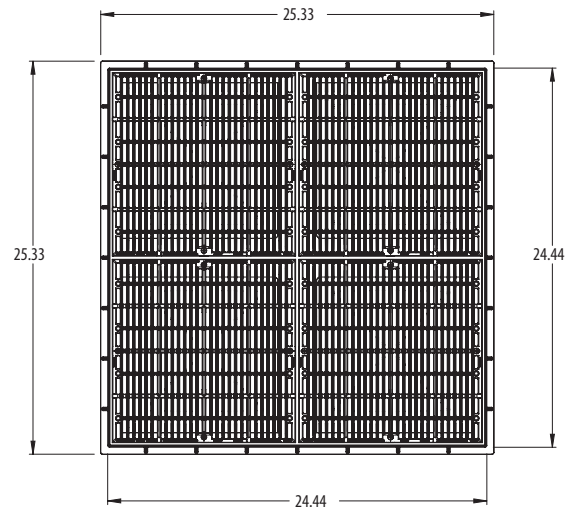
640-4760 V

VGB  
2017



**Features:**

- Total open area: 249.6 sq. in.
- Frame size: 25.33" x 25.33"
- Floor flow rate: 2035 GPM 8" plumbing
- Wall flow rate: N/A
- Flow rate @ 1.5 ft/sec: 1168 GPM



## 24" x 24" Grate and Frame

Part No.	Description	Case Quantity
640-476x V	24" x 24" grate & frame	1

Replace the final x in the part number with the color of your choice (see page 4 for colors)

Drains / Suctions





# Drains & Suctions / 32" Diamond Strip Drains

Drains / Suctions



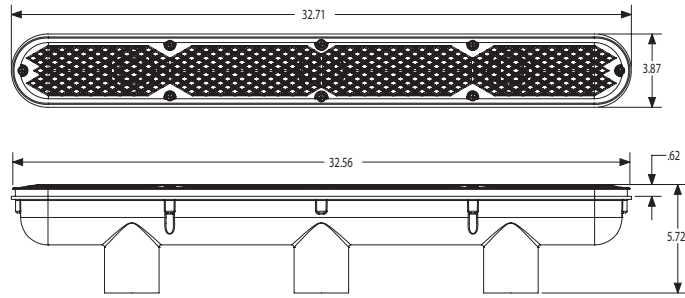
Hydrostatic valve available. See page 74

640-1360 V

### Specifications:

- Total open area: 37.7 sq. in.
- Frame size: 32" channel
- Floor flow rate (one port center): 280 GPM, 2.5" plumbing
- Floor flow rate (two ports): 320 GPM, 2.5" plumbing
- Wall flow rate (one port center): 216 GPM, 2.5" plumbing
- Wall flow rate (two ports): 216 GPM, 2.5" plumbing
- Flow rate @ 1.5 ft/sec: 110 GPM
- Ports - 2 1/2" SPG
- 2 - 2" MPT plugs included

**UNBLOCKABLE**



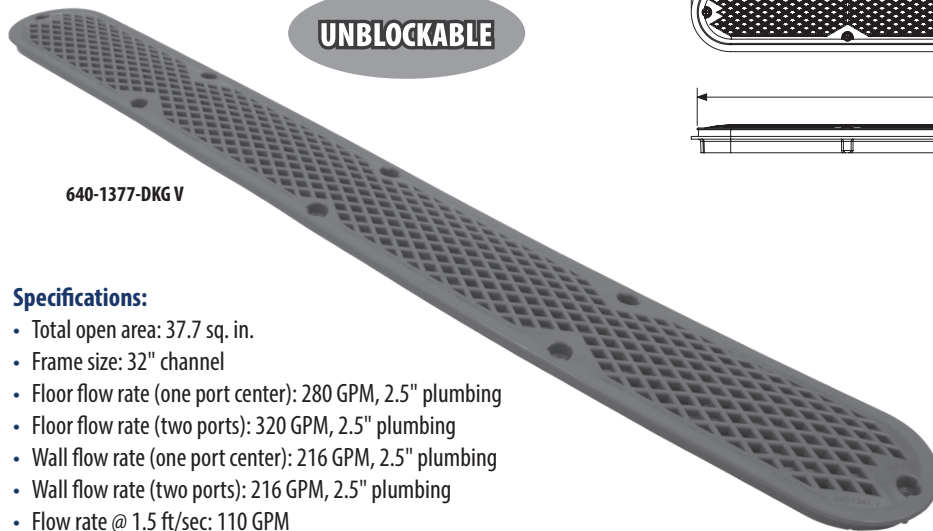
New cover design provides complete coverage for sump body!



## 32" Diamond Strip Drains - Concrete

Part No.	Description	Case Quantity
640-136x V	32" Diamond Strip Drain - concrete	1
642-1320	32" plaster body drain	1

Replace the final x in the part number with the color of your choice (see page 4 for colors)

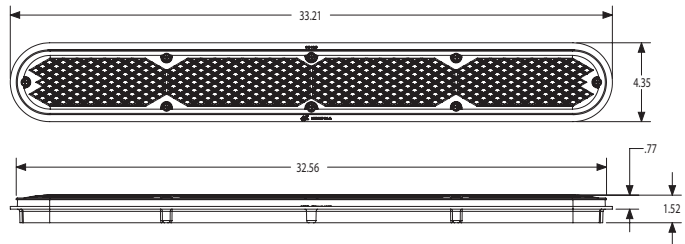


640-1377-DKG V

### Specifications:

- Total open area: 37.7 sq. in.
- Frame size: 32" channel
- Floor flow rate (one port center): 280 GPM, 2.5" plumbing
- Floor flow rate (two ports): 320 GPM, 2.5" plumbing
- Wall flow rate (one port center): 216 GPM, 2.5" plumbing
- Wall flow rate (two ports): 216 GPM, 2.5" plumbing
- Flow rate @ 1.5 ft/sec: 110 GPM

**UNBLOCKABLE**



New cover design provides complete coverage for sump body!

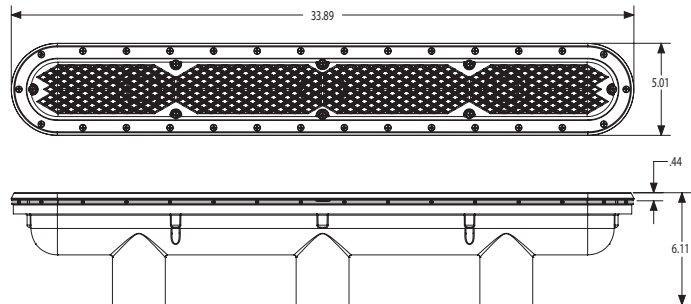
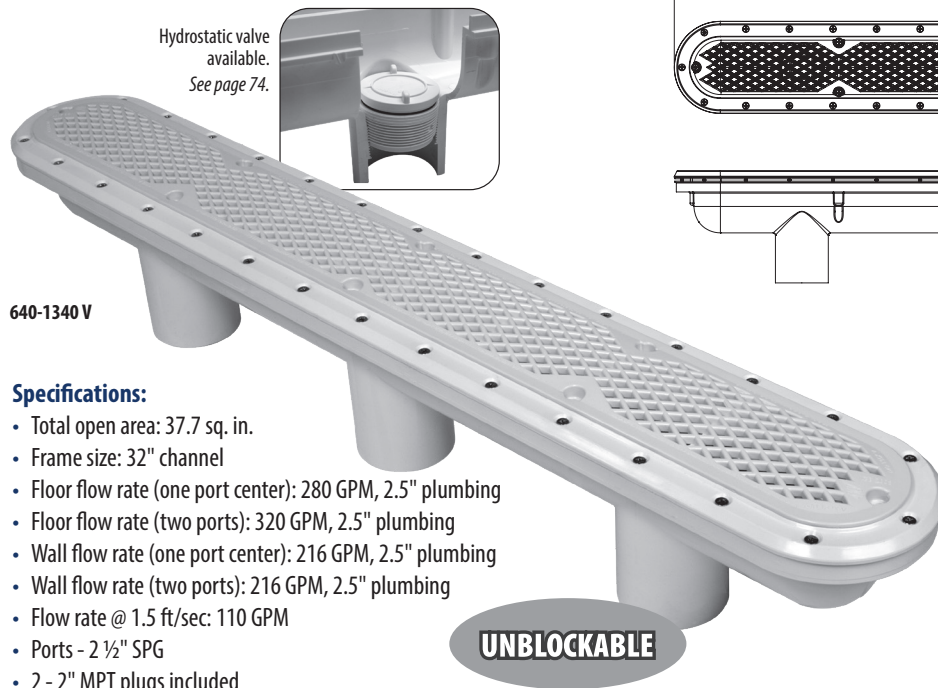


## 32" Diamond Strip Drains - Field Built Sumps

Part No.	Description	Case Quantity
640-137x V	32" Diamond Strip Drain - field built sumps	1

Replace the final x in the part number with the color of your choice (see page 4 for colors)

## Drains & Suctions - Vinyl / 32" Diamond Strip Drains



640-1340 V

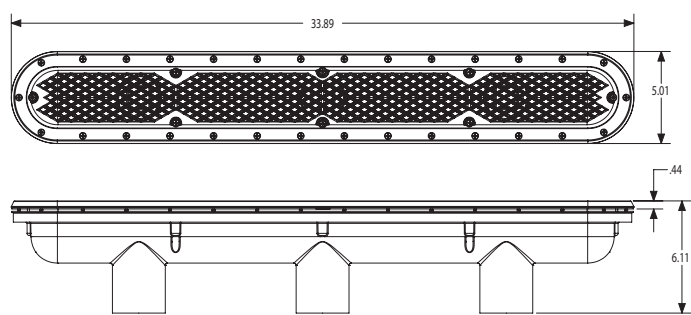
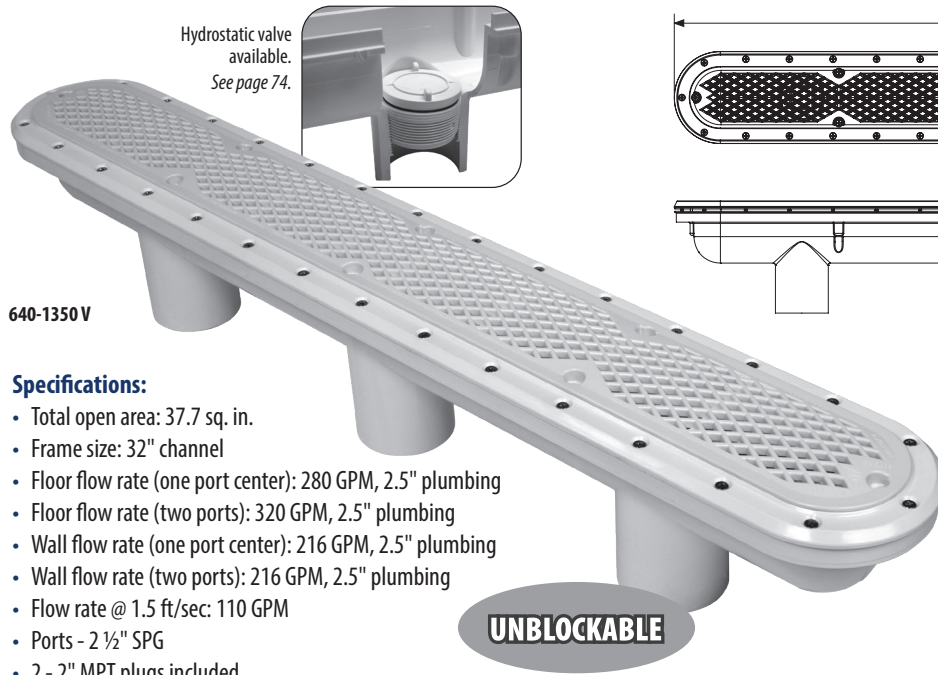
### Specifications:

- Total open area: 37.7 sq. in.
- Frame size: 32" channel
- Floor flow rate (one port center): 280 GPM, 2.5" plumbing
- Floor flow rate (two ports): 320 GPM, 2.5" plumbing
- Wall flow rate (one port center): 216 GPM, 2.5" plumbing
- Wall flow rate (two ports): 216 GPM, 2.5" plumbing
- Flow rate @ 1.5 ft/sec: 110 GPM
- Ports - 2 1/2" SPG
- 2 - 2" MPT plugs included

### 32" Diamond Strip Drains - Vinyl

Part No.	Description	Case Quantity
<b>640-134xV</b>	32" Diamond Strip Drain - vinyl	1

Replace the final x in the part number with the color of your choice (see page 4 for colors)



640-1350 V

### Specifications:

- Total open area: 37.7 sq. in.
- Frame size: 32" channel
- Floor flow rate (one port center): 280 GPM, 2.5" plumbing
- Floor flow rate (two ports): 320 GPM, 2.5" plumbing
- Wall flow rate (one port center): 216 GPM, 2.5" plumbing
- Wall flow rate (two ports): 216 GPM, 2.5" plumbing
- Flow rate @ 1.5 ft/sec: 110 GPM
- Ports - 2 1/2" SPG
- 2 - 2" MPT plugs included

### 32" Diamond Strip Drains - Fiberglass

Part No.	Description	Case Quantity
<b>640-135xV</b>	32" Diamond Strip Drain - fiberglass	1
<b>640-134xLGV</b>	32" Diamond Strip Drain for fiberglass spas	1
<b>642-1300</b>	32" plaster body drain	1

Replace the final x in the part number with the color of your choice (see page 4 for colors)

Drains / Suctions



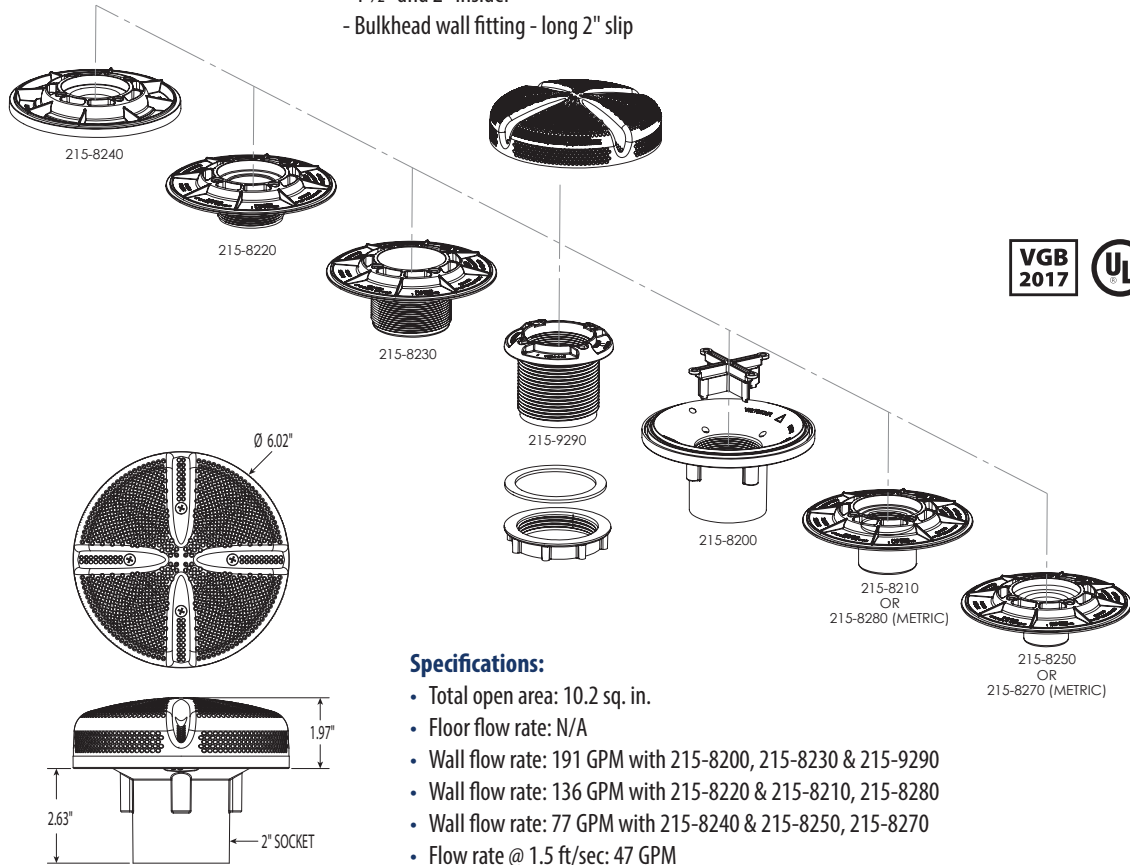
## Drains & Suctions / 6" Ultra Suction & Equalizer

### Features:

- Sumpless design: no sump body required
- Ultra versatile drain - can be used for a wide variety of applications: gunitite, fiberglass, tile, and steel pools & spas
- All Waterway adapter fittings are made of NSF Rated PVC and can be used with PVC cements (no expensive ABS/PVC transitional glue needed)
- Available with 7 different PVC wall fitting adapters for connection through:
  - 2" slip
  - 1 1/2", 2" and 2 1/2" threaded
  - 1 1/2" and 2" insider
  - Bulkhead wall fitting - long 2" slip



640-8290 V



### Specifications:

- Total open area: 10.2 sq. in.
- Floor flow rate: N/A
- Wall flow rate: 191 GPM with 215-8200, 215-8230 & 215-9290
- Wall flow rate: 136 GPM with 215-8220 & 215-8210, 215-8280
- Wall flow rate: 77 GPM with 215-8240 & 215-8250, 215-8270
- Flow rate @ 1.5 ft/sec: 47 GPM

### 6" Ultra Suction and Equalizer

Part No.	Description	Case Quantity
640-820x V	6" ultra suction (model 640-82XX V) with 2" equalizer wall fitting (215-8200)	15
640-823x V	6" ultra suction (model 640-82XX V) with 2 1/2" threaded wall fitting (215-8230)	20
640-822x V	6" ultra suction (model 640-82XX V) with 2" threaded wall fitting (215-8220)	25
640-821x V	6" ultra suction (model 640-82XX V) with 2" insider wall fitting (215-8210)	25
640-824x V	6" ultra suction (model 640-82XX V) with 1 1/2" threaded wall fitting (215-8240)	25
640-825x V	6" ultra suction (model 640-82XX V) with 1 1/2" insider wall fitting (215-8250)	25
640-8290 V	6" ultra suction, 2" bulkhead fitting deep socket - 2" S x 2.5" length - white	--
640-8297 V	6" ultra suction, 2" bulkhead fitting deep socket - 2" S x 2.5" length - gray	--
215-8200	Wall fitting for 6" ultra suction - 2" equalizer	40
215-8230	Wall fitting for 6" ultra suction - 2 1/2" threaded	40
215-8220	Wall fitting for 6" ultra suction - 2" threaded	40
215-8210	Wall fitting for 6" ultra suction - 2" insider	40
215-8280	Wall fitting for 6" ultra suction - 50.8mm insider (metric)	90
215-8240	Wall fitting for 6" ultra suction - 1 1/2" threaded	90
215-8250	Wall fitting for 6" ultra suction - 1 1/2" insider	90
215-8270	Wall fitting for 6" ultra suction - 38.1mm insider (metric)	100

Replace the final x in the part number with the color of your choice (see page 4 for colors)

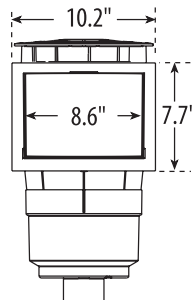


# Pool Skimmers and Skim Filters / Renegade Gunite In-Ground Skimmers

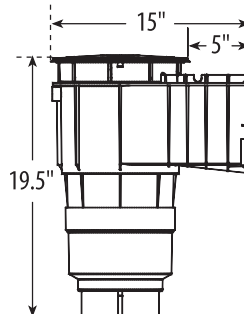


### Features:

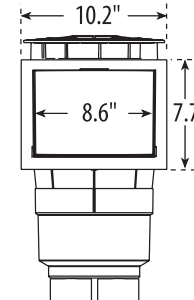
- NSF approved with flow rate of 75 GPM
- PVC sockets for better glue joints
- 2" socket is 2 1/2" spigot for more flow
- 1 1/2" socket is 2" spigot for easier plumbing
- 1/2" socket for overflow hose
- Large locking skimmer basket
- Easy access spring-loaded weir door simplifies replacement
- Optional float valve
- Optional skimmer test kit
- Non-commercial skimmers come with the reversible lid



Two Port



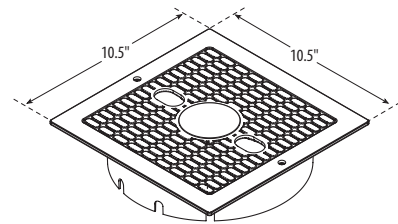
Two Port



Two Port Side-By-Side

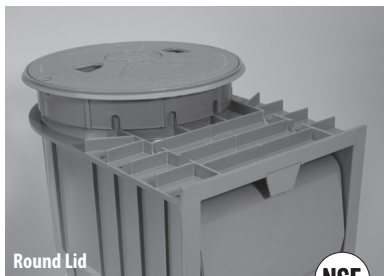


**IMPROVED  
SNAP LOCK-DOWN  
BASKET HANDLE!**

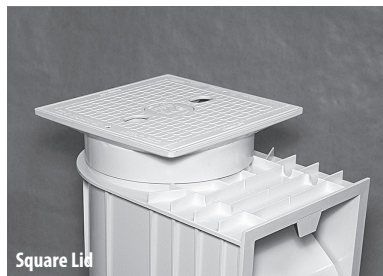


Square Lid

Skimmers / Skim Filters



Round Lid



Square Lid

For replacement parts, see page 245.



519-6480-R1

New vac plate  
(2014 & newer)

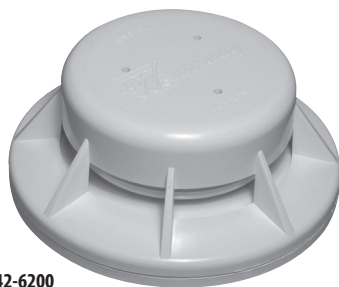
Waterway's Renegade Gunite Skimmer is designed for better and easier installation while maximizing flow. The large skimmer basket locks into place. High flow rate of 75 gallons per minute.



519-6560

### Mounting Extension Rings

Part No.	Description
519-6560	Vinyl liner mounting extension ring
519-6570B	Mounting extension ring



542-6200

Float valve



519-6480

Vac plate



540-6500

Skimmer test loop



## Pool Skimmers and Skim Filters / Renegade Gunite In-Ground Skimmers

### Renegade Gunite Skimmers - 2-Port - Round Lid

Part No.	Description	Color	Case Quantity
540-6430	1 ½" socket (2" spigot)	White	1
540-6630	1 ½" socket with float valve	White	1
540-6410	2" socket (2 ½" spigot)	White	1
540-6410-9B	2" socket (2 ½" spigot)	White/Beige lid	1
540-6411	2" socket (2 ½" spigot)	Black	1
540-6411-9B	2" Socket (2 ½" Spigot)	Black/Beige lid	1
540-6417	2" socket (2 ½" spigot)	Gray	1
540-6417-9B	2" socket (2 ½" spigot)	Gray/Beige lid	1
540-6419-BEI	2" socket (2 ½" spigot)	Beige	1
540-6419-DKG	2" socket (2 ½" spigot)	Dark Gray	1
540-6410G	2" socket (2 ½" spigot) - side-by-side	White	1
540-6610	2" socket (2 ½" spigot) with float valve	White	1
540-6610-9B	2" socket (2 ½" spigot) with float valve	White/Beige lid	1
540-6611	2" socket (2 ½" spigot) with float valve	Black	1
540-6617	2" socket (2 ½" spigot) with float valve	Gray	1
540-6617-9B	2" socket (2 ½" spigot) with float valve	Gray/Beige lid	1
540-6619-BEI	2" socket (2 ½" spigot) with float valve	Beige	1
540-6619-DKG	2" socket (2 ½" spigot) with float valve	Dark Gray	1

### Renegade Gunite Skimmers - 2-Port - Square Lid

Part No.	Description	Color	Case Quantity
540-6410-9SB	2" socket (2 ½" spigot)	White/Beige lid	1
540-6411-9SB	2" socket (2 ½" spigot)	Black/Beige lid	1
540-6417-S	2" socket (2 ½" spigot)	Gray	1
540-6417-9SB	2" socket (2 ½" spigot)	Gray/Beige lid	1

### Renegade Gunite Skimmers - Single Port - Round Lid

Part No.	Description	Color	Case Quantity
540-6510	2" socket (2 ½" spigot)	White	1
540-6510-9B	2" socket (2 ½" spigot)	White/Beige lid	1
540-6511	2" socket (2 ½" spigot)	Black	1
540-6511-9B	2" socket (2 ½" spigot)	Black/Beige lid	1
540-6517	2" socket (2 ½" spigot)	Gray	1
540-6517-9B	2" socket (2 ½" spigot)	Gray/Beige lid	1
540-6519-BEI	2" socket (2 ½" spigot)	Beige	1
540-6519-DKG	2" socket (2 ½" spigot)	Dark Gray	1

### Renegade Gunite Skimmers - Single Port - Square Lid

Part No.	Description	Color	Case Quantity
540-6410-S	2" socket (2 ½" spigot)	White	1
540-6510-9SB	2" socket (2 ½" spigot)	White/Beige lid	1

### Accessories

540-6010	Equalizer valve	White	50
542-6200	Float valve	White	25
519-6480	Vacuum plate	White	8
519-6560	Mounting extension ring	White	10
519-6561	Mounting extension ring	Black	10
519-6567	Mounting extension ring	Gray	10
519-6569-BEI	Mounting extension ring	Beige	10
519-6569-DKG	Mounting extension ring	Dark Gray	10
540-6500	Skimmer test loop kit	--	70
519-6480-R1	Pool skimmer gunite vacuum plate	White	70



**Gunite Skimmers without Lids**

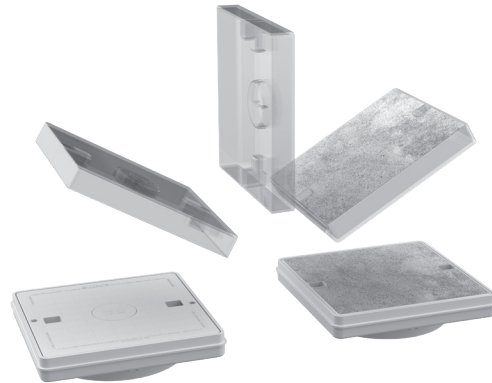
Part No.	Description	Color	Weight (lbs.)
540-6410-LL	Renegade Gunite Skimmer 2.5" SPG x 2" S x 2" NPT less lid	White	9.56
540-6411-LL	Renegade Gunite Skimmer 2.5" SPG x 2" S x 2" NPT less lid	Black	9.56
540-6417-LL	Renegade Gunite Skimmer 2.5" SPG x 2" S x 2" NPT less lid	Gray	9.56
540-6419BEI-LL	Renegade Gunite Skimmer 2.5" SPG x 2" S x 2" NPT less lid	Beige	9.56

**Renegade Skimmers with Square & Round Lid & Mounting Kit**

Part No.	Description	Color	Weight (lbs.)
540-6460WW	9" round Renegade skimmer lid & mounting ring assembly	White	1.18
540-6461WW	9" round Renegade skimmer lid & mounting ring assembly	Black	1.18
540-6467WW	9" round Renegade skimmer lid & mounting ring assembly	Gray	1.18
540-6469WW-B	9" round Renegade skimmer lid & mounting ring assembly	Beige	1.18
540-6469WW-D	9" round Renegade skimmer lid & mounting ring assembly	Dark Gray	1.18
540-6480WW	10" square Renegade skimmer lid & mounting ring assembly	White	1.75
540-6487WW	10" square Renegade skimmer lid & mounting ring assembly	Gray	1.75
540-6489WW-B	10" square Renegade skimmer lid & mounting ring assembly	Beige	1.75



**NEW!**



**Features:**

- Lid comes standard with all round skimmers, no need for multiple SKU's
- Waterway's unique design gives ultimate flexibility
- Fillable side blends the skimmer lid to match any deck surface
- Available in white, gray, beige, black, dark gray and clear
- Lid is now available in square

**Reversible Skimmer Lid Square & Round Mounting Kit**

Part No.	Description	Color	Pieces
540-7800WW-10	Reversible round skimmer lid assembly kit	White	10pc
540-7801WW-10	Reversible round skimmer lid assembly kit	Black	10pc
540-7807WW-10	Reversible round skimmer lid assembly kit	Gray	10pc
540-7808WW-10	Reversible round skimmer lid assembly kit	Clear	10pc
540-7809WW-B10	Reversible round skimmer lid assembly kit	Beige	10pc
540-7809WW-D10	Reversible round skimmer lid assembly kit	Dark Gray	10pc
540-7900WW-8	Reversible square skimmer lid assembly kit	White	8pc
540-7901WW-8	Reversible square skimmer lid assembly kit	Black	8pc
540-7907WW-8	Reversible square skimmer lid assembly kit	Gray	8pc
540-7908WW-8	Reversible square skimmer lid assembly kit	Clear	8pc
540-7909WW-B8	Reversible square skimmer lid assembly kit	Beige	8pc
540-7909WW-D8	Reversible square skimmer lid assembly kit	Dark Gray	8pc

Skimmers / Skim Filters

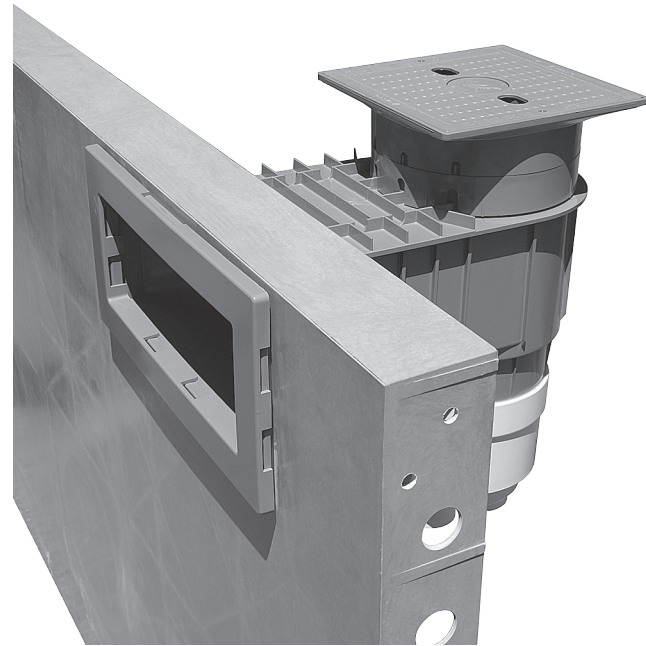


## Pool Skimmers and Skim Filters / Renegade Vinyl Liner and Fiberglass In-Ground Skimmers

The Renegade skimmer from Waterway is the best choice to make for your vinyl liner pool installations. The Renegade In-Ground Vinyl Pool Skimmer is designed to work with all existing vinyl liner steel, polymer or fiberglass pool walls. Available in a wide variety of models – either standard or wide-mouth, in your choice of white or gray, the Renegade includes a lock-down vacuum plate and one of the largest skimmer baskets available. It twist-locks to prevent floating and allow easy-access. Renegade's spring-loaded weir door makes replacements a snap.

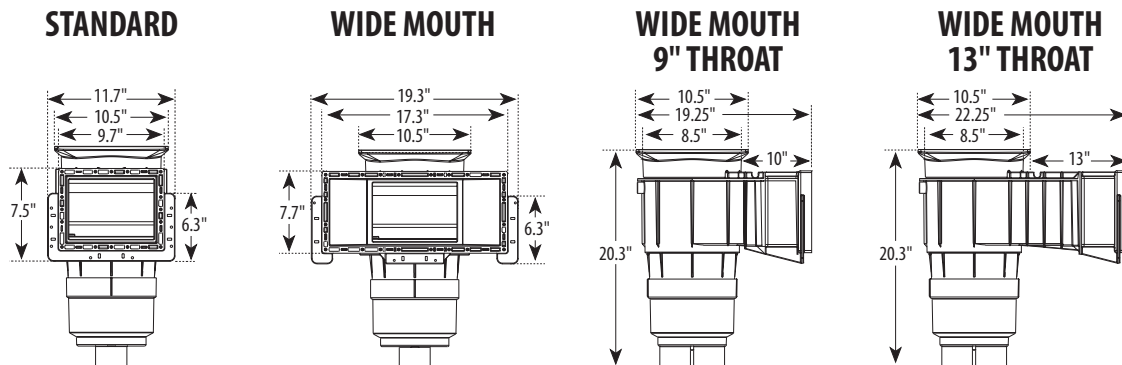
### Features:

- PVC sockets for better glue joints
- 2" socket is 2 1/2" spigot for more flow
- 1 1/2" socket is 2" spigot for easier plumbing
- 1/2" socket for overflow hose
- Large locking skimmer basket
- Easy access spring-loaded weir door simplifies replacement and installation
- High flow rate of 75 GPM
- Optional float valve
- Optional skimmer test kit
- Lock-down vacuum plate included
- Non-commercial skimmers come with the reversible lid



**Fits all currently manufactured steel and polymer walls!**

For replacement parts, see page 246 - 247



### Renegade Vinyl Liner Skimmers - 2-Port - Square Lid

Part No.	Description	Throat	Color
540-8400	Standard vinyl liner in-ground skimmer - 2" socket	--	White
540-8407	Standard vinyl liner in-ground skimmer - 2" socket	--	Gray
540-8430	Standard vinyl liner in-ground skimmer - 1 1/2" socket	--	White
540-8437	Standard vinyl liner in-ground skimmer - 1 1/2" socket	--	Gray
540-8500	Wide-mouth vinyl liner in-ground skimmer - 2" socket	9"	White
540-8507	Wide-mouth vinyl liner in-ground skimmer - 2" socket	9"	Gray
540-8530	Wide-mouth vinyl liner in-ground skimmer - 1 1/2" socket	9"	White
540-8537	Wide-mouth vinyl liner in-ground skimmer - 1 1/2" socket	9"	Gray
540-8550	Wide-mouth vinyl liner in-ground skimmer - 2" socket	13"	White
540-8557	Wide-mouth vinyl liner in-ground skimmer - 2" socket	13"	Gray
540-8580	Wide-mouth vinyl liner in-ground skimmer - 1 1/2" socket	13"	White
540-8587	Wide-mouth vinyl liner in-ground skimmer - 1 1/2" socket	13"	Gray

### Renegade Vinyl Liner Skimmers - 2-Port - Round Lid

Part No.	Description	Color
540-8460	Standard vinyl liner in-ground skimmer - 1 1/2" socket	White



**Renegade Vinyl Liner Skimmers - Single Port - Square Lid**

Part No.	Description	Color
<b>540-8700</b>	Wide-mouth vinyl liner in-ground skimmer - 2" socket	White
<b>540-8830</b>	Wide-mouth vinyl liner in-ground skimmer - 1 1/2" socket	White

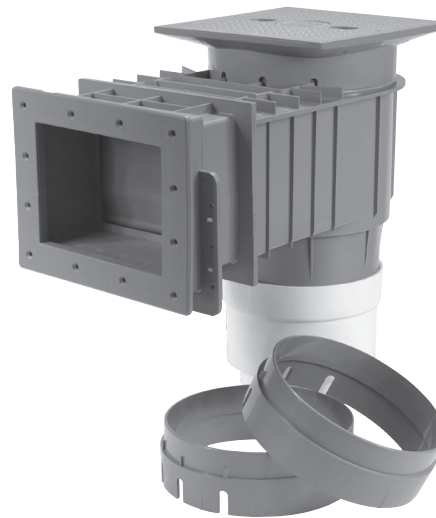
**Accessories**

Part No.	Description	Color	Case Weight (lbs.)	Case Quantity
<b>519-9520</b>	Standard vinyl liner trim plate	White	17.43	40
<b>519-9521</b>	Standard vinyl liner trim plate	Black	17.43	40
<b>519-9527</b>	Standard vinyl liner trim plate	Gray	17.43	40
<b>519-9540</b>	Wide-mouth vinyl liner trim plate	White	16.16	20
<b>519-9547</b>	Wide-mouth vinyl liner trim plate	Gray	16.16	20
<b>519-6560</b>	Mounting extension ring - new style	White	6.85	10
<b>519-6567</b>	Mounting extension ring - new style	Gray	6.85	10
<b>519-6550</b>	Mounting extension ring	White	10.15	10
<b>519-9510</b>	Vinyl liner square collar	White	10.15	10
<b>519-9490</b>	Vinyl liner square collar - new style	White	10.15	10
<b>542-6200</b>	Float valve	White	28.25	25
<b>519-6480</b>	Lock-down vacuum plate	White	6.86	8
<b>540-6500</b>	Skimmer test loop kit	White	24.29	70
<b>542-3240</b>	Basket assembly	White	10.45	20
<b>550-0020</b>	Additional mounting tabs - composite wall vinyl liner	White	9.87	25

Skimmers / Skim Filters

**Features:**

- PVC sockets for better glue joints
- Longer screws for one-piece fiberglass pools
- 2" socket is 2 1/2" spigot for more flow
- 1 1/2" socket is 2" spigot for easier plumbing
- 1/2" socket for overflow hose
- Large locking skimmer basket
- Easy access spring-loaded weir door simplifies replacement and installation
- High flow rate of 75 GPM
- Optional float valve
- Optional skimmer test kit
- Lock-down vacuum plate and 2 extension collars are included
- Non-commercial skimmers come with the reversible lid



*For replacement parts, see page 247.*

**Renegade Fiberglass Only Skimmers**

Part No.	Description	Color
<b>540-8610</b>	Standard 1-piece fiberglass only in-ground skimmer - 2" S	White
<b>540-8617</b>	Standard 1-piece fiberglass only in-ground skimmer - 2" S	Gray

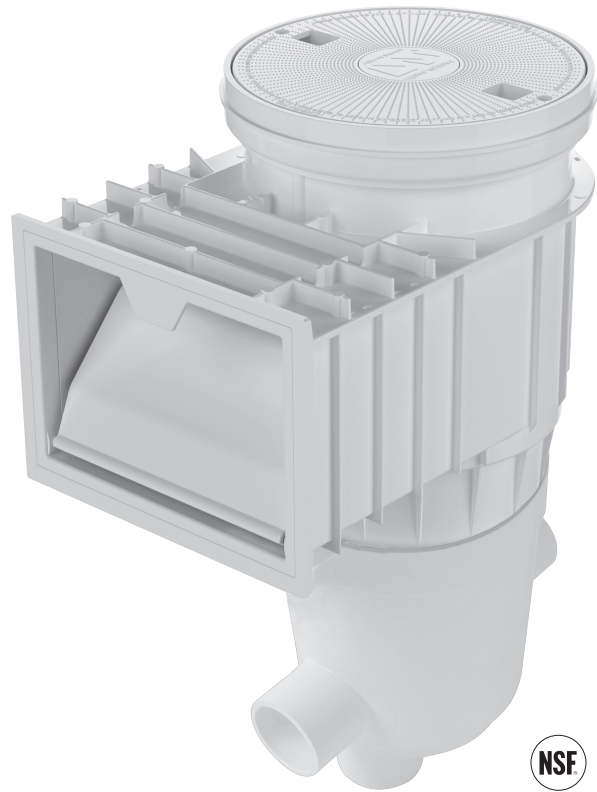
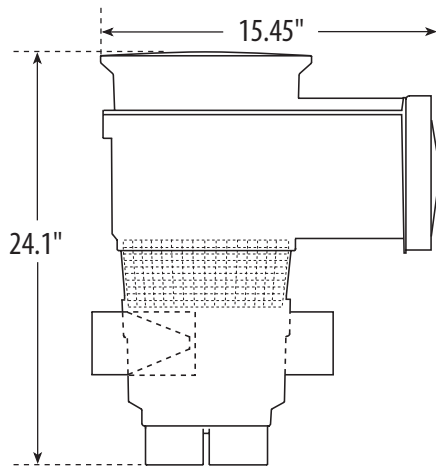




## Pool Skimmers and Skim Filters / Renegade Venturi In-Ground Skimmers

### Features:

- By using a Venturi, this skimmer doubles the cleaning power without increasing energy costs
- Massive 9" deep basket (twice the size of standard skimmer baskets), can hold 289 cubic inches of debris
- Basket and vacuum plate lock into place instead of floating up when the pump is off
- Weir door is spring-loaded for easy removal – no screws
- NSF approved for 75 GPM – highest in the industry
- Non-commercial skimmers come with the reversible lid

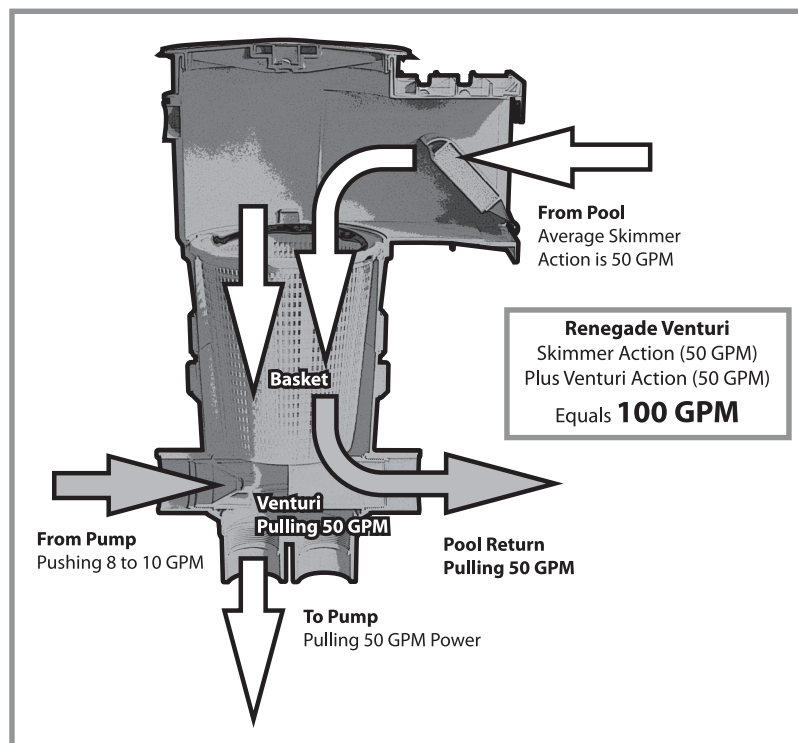


For replacement parts, see page 245.

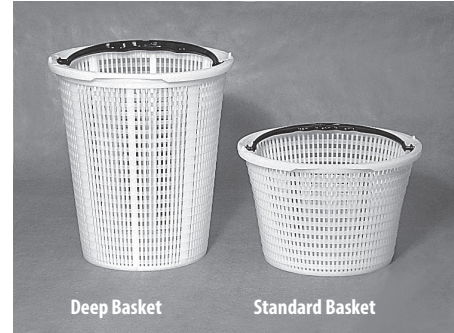
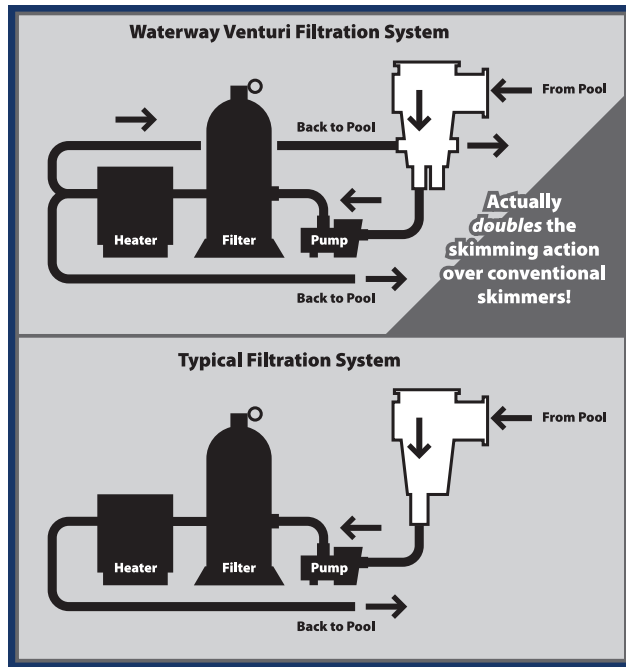
The Waterway Venturi skimmer pulls as much water as the pump, doubling the skimming action while NOT increasing energy costs.

*The skimmer is a very important part of the filtration system on a swimming pool. The skimmer is permanently installed to skim the top of the pool to collect dirt and debris before they have a chance to sink to the bottom of the pool.*

*The Waterway Renegade Venturi Skimmer has the latest in high tech features and "Service-Ease" design making this the ultimate pool skimmer!*







The basket for the Venturi skimmer and the deep basket skimmer is 9" deep, making the Waterway basket the largest in the industry for extra leaf and debris holding capacity.

Skimmers / Skim Filters

**Renegade Gunite Venturi In-Ground Skimmer**

Part No.	Description	Color
540-5300*	2" socket	White
540-5301	2" socket	Black
540-5307	2" socket	Gray
540-5309-BEI	2" socket	Beige
540-5300-9B	2" socket	White/Beige lid

\*NSF

**Renegade Vinyl Liner Venturi In-Ground Skimmer**

Part No.	Description	Color
540-5700	2" socket	White
540-5710*	2" socket with wide mouth	White
540-5717	2" socket with wide mouth	Gray

\*NSF

**Renegade Gunite In-Ground Skimmer - Deep Basket without Venturi**

Part No.	Description	Color
540-5310*	2" socket	White
540-5311	2" socket	Black
540-5317	2" socket	Gray
540-5319-BEI	2" socket	Beige
540-5310-9B	2" socket	White/Beige lid
540-5320	2" socket with float valve	White

\*NSF

**Renegade Vinyl Liner In-Ground Skimmer - Deep Basket without Venturi**

Part No.	Description	Color
540-5720*	2" socket	White
540-5730*	2" socket with wide mouth	White
540-5737	2" socket with wide mouth	Gray

\*NSF



## Pool Skimmers and Skim Filters / Commercial & Bonded Renegade Skimmers

Waterway's Commercial Renegade Gunite Skimmer is designed for commercial or public pool installations. The large skimmer basket locks into place. High flow rate of 75 gallons per minute.

### Features:

- NSF approved with flow rate of 75 GPM
- PVC sockets for better glue joints
- 2" socket is 2 1/2" spigot for more flow
- 1/2" socket for overflow line
- Large locking skimmer basket
- Easy access spring-loaded weir door simplifies replacement
- Equalizer line for NSF commercial compliance
- Optional skimmer test kit



Skimmers / Skim Filters

### Commercial Renegade Gunite In-Ground Skimmers

Part No.	Description	Color	Weight (lbs.)
<b>540-6200</b>	Gunite skimmer with equalizer - 2 1/2" spigot x 2" S x 2" NPT	White	9.78
<b>540-6350</b>	Gunite skimmer with equalizer - 2 1/2" spigot x 2" NPT x 2" NPT	White	9.81
<b>540-6360</b>	Gunite skimmer with equalizer - 2 1/2" spigot x 2" NPT x 2 NPT with float valve	White	10.94
<b>541-6200</b>	Bonded commercial Renegade Gunite skimmer w/equalizer 2.5" Spg x 2" S x 2" NPT	White	



### Features:

- Includes models for gunite, fiberglass, vinyl and commercial pools
- Our bonded skimmers can be used on both residential and commercial swimming pools
- Industry leading NSF flow rating of 75 GPM
- Available in white & gray
- Come standard with the reversible round or square lid, except for commercial grade fiberglass pools

### Renegade Bonded Skimmers

Part No.	Description	Color
<b>541-8400</b>	Bonded standard vinyl liner in-ground skimmer 2" S	White
<b>541-8407</b>	Bonded standard vinyl liner in-ground skimmer 2" S	Gray
<b>541-8500</b>	Bonded wide mouth vinyl liner in-ground skimmer 2" S 9" throat	White
<b>541-8507</b>	Bonded wide mouth vinyl liner in-ground skimmer 2" S 9" throat	Gray
<b>541-6410</b>	Bonded Renegade Gunite Skimmer 2.5" Spg x 2" S x 2" NPT assembly	White
<b>541-6417</b>	Bonded Renegade Gunite Skimmer 2.5" Spg x 2" S x 2" NPT assembly	Gray
<b>541-8610</b>	Bonded standard 1-piece fiberglass (only) in-ground skimmer 2" S	White
<b>541-8617</b>	Bonded standard 1-piece fiberglass (only) in-ground skimmer 2" S	Gray



Skimmers / Skim Filters

**All Builder's Packs Come With The Following:**

- Skimmer (1 qty.)
- Trim plate (1 qty.)
- 1 ½" or 2" S vinyl main drain (same as skimmer)(2 qty.)
- 1 ½" S vinyl liner wall fitting assembly with combo locknut (3 or 6 qty.)
- 1" eyeball opening (3 or 6 qty.)
- Wall fitting escutcheon (3 or 6 qty.)

Renegade Vinyl Liner Skimmer - Builder's Packs			
Part No.	Included Parts (Quantity)	Color	Case Qty.
545-5700	Standard vinyl liner venturi in-ground skimmer builder's pack - 2 ½" spigot / 2" S	White	
545-5707	Standard vinyl liner venturi in-ground skimmer builder's pack - 2 ½" spigot / 2" S	Gray	
545-5710	Wide mouth vinyl liner venturi in-ground skimmer builder's pack - 2 ½" spigot / 2" S	White	
545-5717	Wide mouth vinyl liner venturi in-ground skimmer builder's pack - 2 ½" spigot / 2" S	Gray	
545-5750	Wide mouth long throat vinyl liner in-ground skimmer builder's pack - 2 ½" spigot / 2" S	White	
545-5757	Wide mouth long throat vinyl liner in-ground skimmer builder's pack - 2 ½" spigot / 2" S	Gray	
545-8400	Standard vinyl liner in-ground skimmer builder's pack - 2 ½" spigot / 2" S	White	
545-8407	Standard vinyl liner in-ground skimmer builder's pack - 2 ½" spigot / 2" S	Gray	
545-8410	Standard vinyl liner in-ground skimmer builder's pack - 2 ½" spigot / 2" S - 6 returns	White	
545-8417	Standard vinyl liner in-ground skimmer builder's pack - 2 ½" spigot / 2" S - 6 returns	Gray	
545-8500	Wide mouth short throat vinyl liner in-ground skimmer builder's pack - 2 ½" spigot / 2" S	White	
545-8507	Wide mouth short throat vinyl liner in-ground skimmer builder's pack - 2 ½" spigot / 2" S	Gray	
545-8510	Wide mouth vinyl liner in-ground skimmer builder's pack - 2 ½" spigot / 2" S - 6 returns	White	
545-8517	Wide mouth vinyl liner in-ground skimmer builder's pack - 2 ½" spigot / 2" S - 6 returns	Gray	
545-8550	Wide mouth long throat vinyl liner in-ground skimmer builder's pack - 2 ½" spigot / 2" S	White	
545-8557	Wide mouth long throat vinyl liner in-ground skimmer builder's pack - 2 ½" spigot / 2" S	Gray	

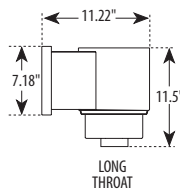
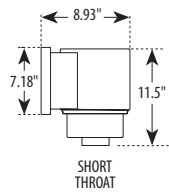
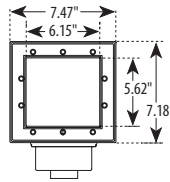


## Pool Skimmers and Skim Filters / Flo-Pro II Above Ground Skimmers

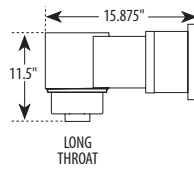
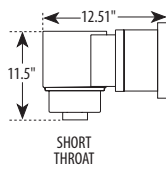
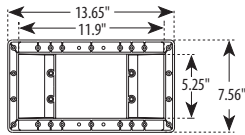
### Features:

- Deep body, larger locking basket
- Long or short throat
- Basket accessible from top or front
- Durable one-piece ABS (wide mouth is two piece)
- 1 1/2" FPT
- 1 1/2" hose adapter included

### STANDARD MOUTH



### WIDE MOUTH



Short Throat



Wide mouth/Short throat

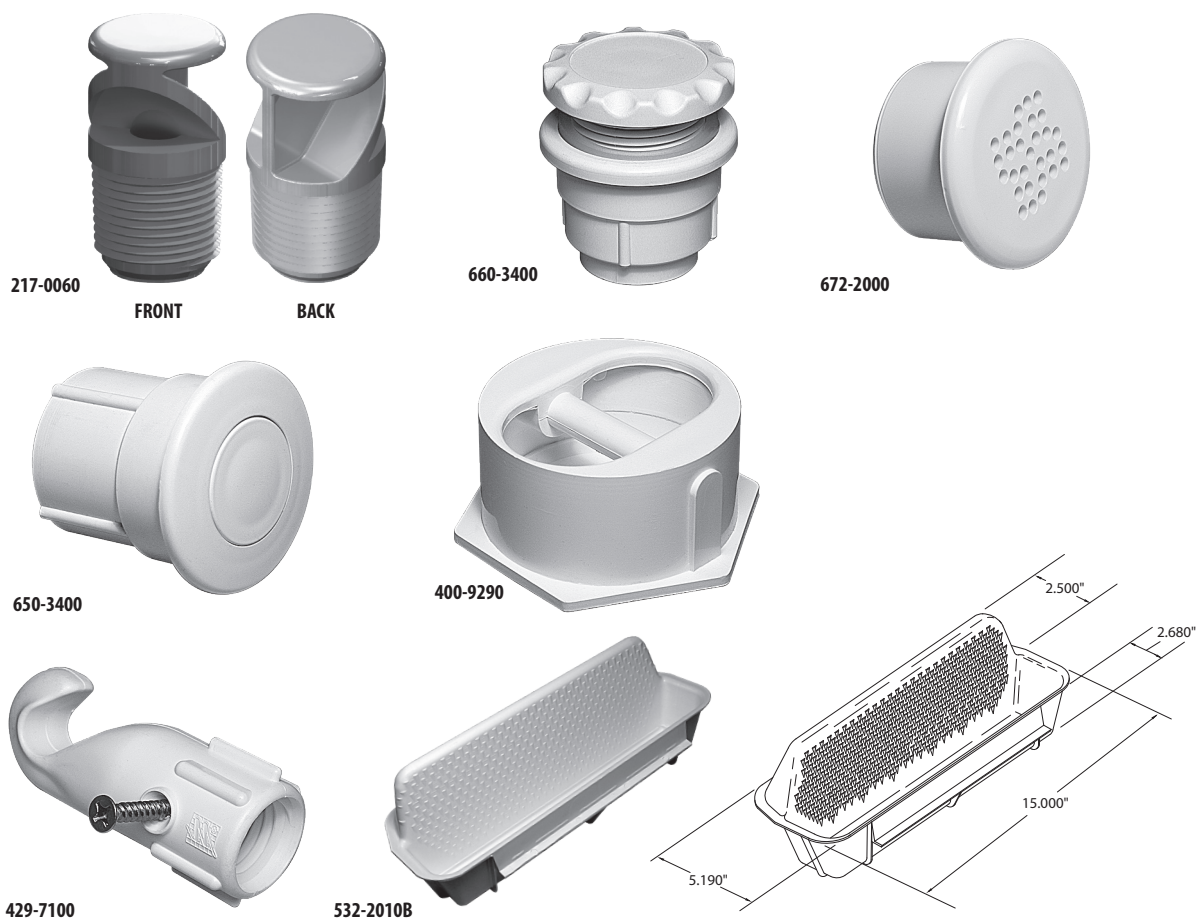
For replacement parts, see page 248.

### Flo-Pro II Above-Ground Skimmers

Part No.	Description	Color	Weight (lbs.)	Case Quantity
<b>560-C0A60S</b>	Short throat	White	4.69	
<b>560-C0A67S</b>	Short throat	Gray	4.69	
<b>560-C0C60S</b>	Short throat with return	White	5.16	
<b>560-C0C67S</b>	Short throat with return	Gray	5.16	
<b>560-D0A60S</b>	Long throat	White	5.28	
<b>560-D0A67S</b>	Long throat	Gray	5.28	
<b>560-D0C60S</b>	Long throat with return	White	5.86	
<b>560-D0C67S</b>	Long throat with return	Gray	5.86	

### Flo-Pro II Wide Mouth Above-Ground Skimmers

Part No.	Description	Color	Weight (lbs.)	Case Quantity
<b>560-C3A60L</b>	Short throat	White	7.10	
<b>560-C3C60L</b>	Short throat with return	White	8.24	
<b>560-C3C67L</b>	Long throat with return	Gray	8.24	
<b>560-D3C60L</b>	Long throat with return	White	8.55	



Misc / Accessories

Accessories				
Part No.	Description	Color	Case Weight	Case Quantity
<b>217-0060</b>	Aerator spray nozzle	White	6 lbs.	200
<b>660-3400</b>	Gunite air control "A" style (fits inside 1 1/2" pipe or 1/2" S)	White	6.71 lbs.	60 (bulk)
<b>660-3407</b>	Gunite air control "A" style (fits inside 1 1/2" pipe or 1/2" S)	Gray	6.71 lbs.	60 (bulk)
<b>672-2000</b>	Gunite air injector floor cap (fits inside 1 1/2" pipe)	White	5.5 lbs.	100 (bulk)
<b>672-2001</b>	Gunite air injector floor cap (fits inside 1 1/2" pipe)	Black	5.5 lbs.	100 (bulk)
<b>672-2002</b>	Gunite air injector floor cap (fits inside 1 1/2" pipe)	Bone	5.5 lbs.	100 (bulk)
<b>672-2007</b>	Gunite air injector floor cap (fits inside 1 1/2" pipe)	Gray	5.5 lbs.	100 (bulk)
<b>672-2009-DKG</b>	Gunite air injector floor cap (fits inside 1 1/2" pipe)	Dark Gray	5.5 lbs.	100 (bulk)
<b>650-3400</b>	Gunite air button (fits inside 1 1/2" pipe)	White	5.4 lbs.	75
<b>400-9290</b>	Rope anchor assembly	White	8.09 lbs.	50 (bulk)
<b>400-9291</b>	Rope anchor assembly	Black	8.09 lbs.	50 (bulk)
<b>400-9292</b>	Rope anchor assembly	Bone	8.09 lbs.	50 (bulk)
<b>400-9297</b>	Rope anchor assembly	Gray	8.09 lbs.	50 (bulk)
<b>400-9299-DKG</b>	Rope anchor assembly	Dark Gray	8.09 lbs.	50 (bulk)
<b>400-9299-BEI</b>	Rope anchor assembly	Beige	8.09 lbs.	50 (bulk)
<b>429-7100</b>	Plastic rope hook (with screws)	White	15.08 lbs.	100 (bulk)
<b>532-2010B</b>	Pool wall step (set of 3)	White	7.16 lbs.	3
<b>532-2011B</b>	Pool wall step (set of 3)	Black	7.16 lbs.	3
<b>532-2013B</b>	Pool wall step (set of 3)	Blue	7.16 lbs.	3
<b>532-2017B</b>	Pool wall step (set of 3)	Gray	7.16 lbs.	3
<b>532-2019B-DK</b>	Pool wall step (set of 3)	Dark Gray	7.16 lbs.	3





## Pool Miscellaneous & Accessories / Pool Accessories



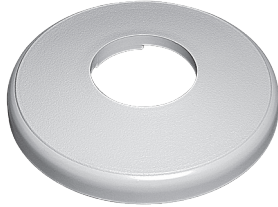
640-2900



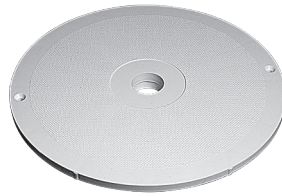
640-2800



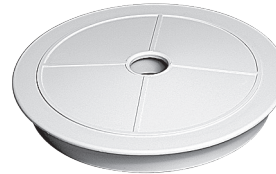
640-3000



429-4010



642-2130



672-4540



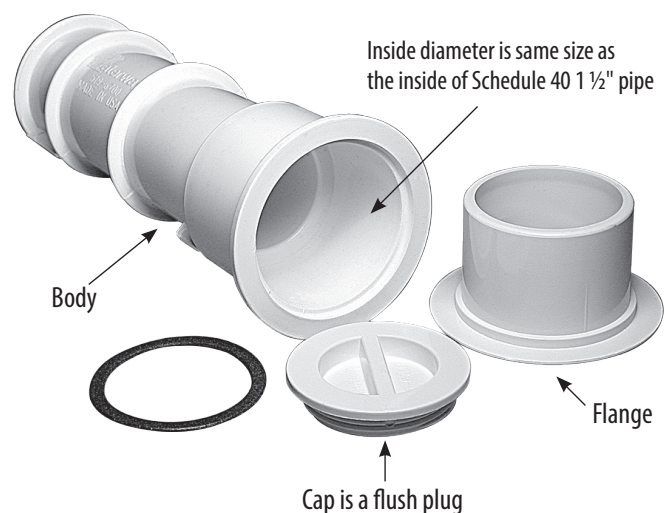
540-3160

Misc / Accessories

### Accessories

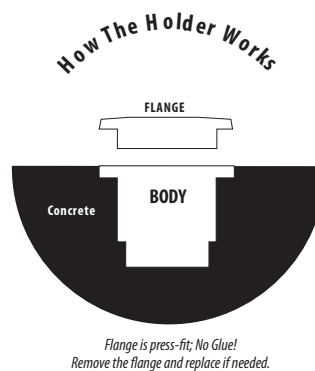
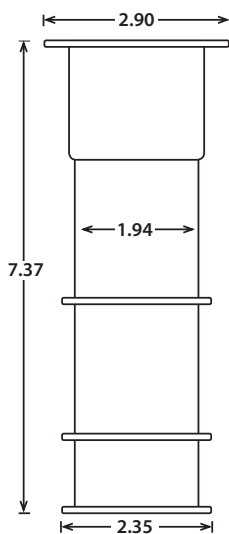
Part No.	Description	Color	Case Weight	Case Quantity
640-2900	2" x 4" deck/gutter drain - 2" S/FPT assembly	White	17.04 lbs.	40 (bulk)
640-2901	2" x 4" deck/gutter drain - 2" S/FPT assembly	Black	17.04 lbs.	40 (bulk)
640-2907	2" x 4" deck/gutter drain - 2" S/FPT assembly	Gray	17.04 lbs.	40 (bulk)
640-2909-DKG	2" x 4" deck/gutter drain - 2" S/FPT assembly	Dark Gray	17.04 lbs.	40 (bulk)
640-2909-BEI	2" x 4" deck/gutter drain - 2" S/FPT assembly	Beige	17.04 lbs.	40 (bulk)
640-2800	2" x 4" deck/gutter grate (with screws)	White	11.05 lbs.	150 (indiv.)
640-2801	2" x 4" deck/gutter grate (with screws)	Black	11.05 lbs.	150 (indiv.)
640-2807	2" x 4" deck/gutter grate (with screws)	Gray	11.05 lbs.	150 (indiv.)
640-2809-DKG	2" x 4" deck/gutter grate (with screws)	Dark Gray	11.05 lbs.	150 (indiv.)
640-2809-BEI	2" x 4" deck/gutter grate (with screws)	Beige	11.05 lbs.	150 (indiv.)
640-3000	2" x 4" deck/gutter 3-bar grate and frame assembly	White	11.45 lbs.	200 (bulk)
640-3001	2" x 4" deck/gutter 3-bar grate and frame assembly	Black	11.45 lbs.	200 (bulk)
640-3007	2" x 4" deck/gutter 3-bar grate and frame assembly	Gray	11.45 lbs.	200 (bulk)
540-3169-BEI	6" Valve niche assembly (cover and flange)	Beige	17.36 lbs.	30 (indiv.)
540-6460WW	9" round Renegade skimmer lid & mounting ring assembly	White	16.51 lbs.	13 (indiv.)
540-6461WW	9" round Renegade skimmer lid & mounting ring assembly	Black	16.51 lbs.	13 (indiv.)
540-6467WW	9" round Renegade skimmer lid & mounting ring assembly	Gray	16.51 lbs.	13 (indiv.)
540-6469WW-BEI	9" round Renegade skimmer lid & mounting ring assembly	Beige	16.51 lbs.	13 (indiv.)
540-6469WW-DKG	9" round Renegade skimmer lid & mounting ring assembly	Dark Gray	16.51 lbs.	13 (indiv.)
540-6480WW	10" square Renegade skimmer lid & mounting ring assembly	White	17.59 lbs.	9
540-6487WW	10" square Renegade skimmer lid & mounting ring assembly	Gray	17.59 lbs.	9
540-6489WW-BEI	10" square Renegade skimmer lid & mounting ring assembly	Beige	17.59 lbs.	9
429-4010	Escutcheon ladder flange (base plate)	White	19.79 lbs.	150 (bulk)
429-4017	Escutcheon ladder flange (base plate)	Gray	19.79 lbs.	150 (bulk)
429-4019-BEI	Escutcheon ladder flange (base plate)	Beige	19.79 lbs.	150 (bulk)
642-2130	Lid deck pac-fab 51-3030 replacement lid	White	31.31 lbs.	60 (bulk)
672-4540	6" Niche cover	White	4.62 lbs.	20
672-4541	6" Niche cover	Black	--	--
672-4547	6" Niche cover	Gray	4.62 lbs.	20
672-4549-BEI	6" Niche cover	Beige	4.62 lbs.	20
540-3160	6" Valve niche assembly (cover and flange) - 6" S	White	17.36 lbs.	30 (indiv.)
540-3161	6" Valve niche assembly (cover and flange) - 6" S	Black	17.36 lbs.	30 (indiv.)
540-3167	6" Valve niche assembly (cover and flange) - 6" S	Gray	17.36 lbs.	30 (indiv.)





Misc / Accessories

Volleyball Pole Holders				
Part No.	Description	Color	Case Weight	Case Quantity
<b>540-6700</b>	Volleyball pole holder assembly	White	20.95 lbs.	35 (indiv.)
<b>540-6701</b>	Volleyball pole holder assembly	Black	20.95 lbs.	35 (indiv.)
<b>540-6707</b>	Volleyball pole holder assembly	Gray	20.95 lbs.	35 (indiv.)
<b>540-6709-BEI</b>	Volleyball pole holder assembly	Beige	20.95 lbs.	35 (indiv.)
<b>519-6700</b>	Body only	White	22.37 lbs.	50
<b>519-6710</b>	Flange only	White	16.76 lbs.	250
<b>519-6711</b>	Flange only	Black	16.76 lbs.	250
<b>519-6717</b>	Flange only	Gray	16.76 lbs.	250
<b>519-6719-BEI</b>	Flange only	Beige	16.76 lbs.	250
<b>400-4140</b>	Flush plug 1 1/2" MPT with gasket	White	6.68 lbs.	100 (indiv.)
<b>400-4141</b>	Flush plug 1 1/2" MPT with gasket	Black	6.68 lbs.	100 (indiv.)
<b>400-4147</b>	Flush plug 1 1/2" MPT with gasket	Gray	6.68 lbs.	100 (indiv.)
<b>400-4149-BEI</b>	Flush plug 1 1/2" MPT with gasket	Beige	6.68 lbs.	100 (indiv.)
<b>540-6710</b>	Flange and plug assembly	White	16.84 lbs.	150
<b>540-6711</b>	Flange and plug assembly	Black	16.84 lbs.	150
<b>540-6717</b>	Flange and plug assembly	Gray	16.84 lbs.	150
<b>540-6719-BEI</b>	Flange and plug assembly	Beige	16.84 lbs.	150









*Spa hose part numbers ending in B or PB have a durometer that is designed specifically for Spa application.*


**AVAILABLE IN:**

- Clear Vinyl: 1/8", 1/4", 3/8", 3/4", and 3/4" x 1 1/16"
- White Vinyl: 3/8", 3/4", and 1" x 1 1/4"
- Shur-Grip: 3/4", 3/4" thin, 1 1/2", and 2"
- Flex: 1/2", 3/4", 1", 1 1/4", 1 1/2", 2", 2" thin, 2 1/2", and 3"

**Hose and Tubing - Individual Rolls (unwrapped)**

Part No.	Description	Color	Ft. / Roll
<b>110-0100B</b>	Vinyl - 1/8" x 1/4"	Clear (0), Red (R)	500
<b>110-0110B</b>	Vinyl - 1/4" x 3/8"	Clear (0), Red (4)	600
<b>110-0120B</b>	Vinyl - 3/8" x 9/16"	Clear (0), White (W)	500
<b>110-0140B</b>	Vinyl - 3/4" x 1"	Clear (0), White (W)	150
<b>110-0150B</b>	Vinyl - 3/4" x 1 1/16"	Clear	100
<b>110-016WB</b>	Vinyl - 1" x 1 1/4"	White	100
<b>120-0110B</b>	Flex - 1/2"	White (0), Black (1)	100
<b>120-0120B</b>	Flex - 3/4"	White (0), Black (1)	100
<b>120-0130B</b>	Flex - 1"	White (0), Black (1)	50
<b>120-0180B</b>	Flex - 1 1/4"	White (0), Black (1)	50
<b>120-0140B</b>	Flex - 1 1/2"	White (0), Black (1)	50
<b>125-0110B</b>	Flex - 1 1/2" x 100 ft.	White (0), Black (1)	100
<b>120-0150B</b>	Flex - 2"	White (0), Black (1)	50
<b>125-0120B</b>	Flex - 2" x 100 ft.	White (0), Black (1)	100
<b>120-0250B</b>	Flex - 2" thin	White (0), Black (1)	50
<b>120-0160B</b>	Flex - 2 1/2"	White (0), Black (1), Gray (7)	50
<b>130-0210B</b>	Shur-Grip - 3/4" thin	Clear/White (0), White (W)	100

**Hose and Tubing - Pallets (unwrapped)**

Part No.	Description	Color	Ft. / Pallet	Rolls / Pallet
<b>110-0110PB</b>	Vinyl - 1/4" x 3/8"	Clear (0), Red (4)	33,000	55
<b>110-0120PB</b>	Vinyl - 3/8" x 9/16"	Clear (0), White (W)	20,000	40
<b>110-0140PB</b>	Vinyl - 3/4" x 1"	Clear (0), White (W)	6,000	40
<b>110-0150PB</b>	Vinyl - 3/4" x 1 1/16"	Clear	4,000	40
<b>110-016WPB</b>	Vinyl - 1" x 1 1/4"	White	2,800	28
<b>120-0110PB</b>	Flex - 1/2"	White (0), Black (1)	6,800	68
<b>120-0120PB</b>	Flex - 3/4"	White (0), Black (1)	5,600	56
<b>120-0130PB</b>	Flex - 1"	White (0), Black (1)	2,800	56
<b>120-0180PB</b>	Flex - 1 1/4"	White (0), Black (1)	1,200	24
<b>120-0140PB</b>	Flex - 1 1/2"	White (0), Black (1)	1,200	24
<b>125-0110PB</b>	Flex - 1 1/2" x 100 ft.	White (0), Black (1)	1,200	12
<b>120-0150PB</b>	Flex - 2"	White (0), Black (1)	900	18
<b>125-0120PB</b>	Flex - 2" x 100 ft.	White (0), Black (1)	900	9
<b>120-0250PB</b>	Flex - 2" thin	White (0), Black (1)	900	18
<b>120-0160PB</b>	Flex - 2 1/2"	White (0), Black (1), Gray (7)	800	16
<b>130-0210PB</b>	Shur-Grip - 3/4" thin	Clear/White (0), White (W)	5,600	56

## Spa Jets / SGMS Micro Components & SGMS Ozone Cluster Jets



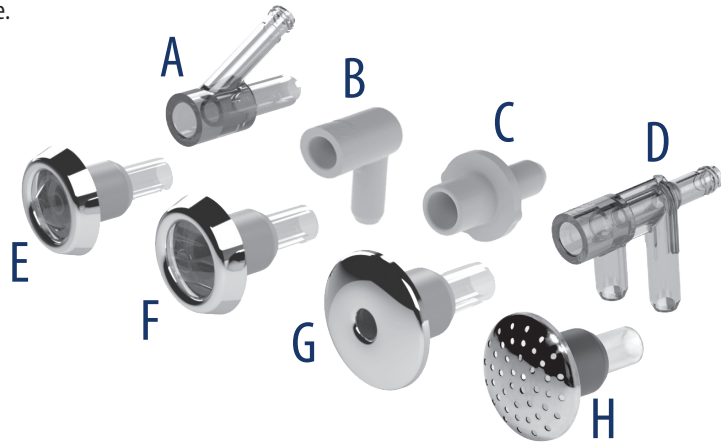
# SGMS Technology

Designed for both ultra-low cost and ease of assembly, Waterway's new micro components offers stimulating performance when used as a jet and an amazing display when used as a water feature.



### Features:

- Micro sized (just 1 ¼" in diameter)
- Ultra-easy to install (just drill hole, press in grommet, then jet)
- Triple purpose micro jet/water rope feature/air injector
- Micro fan feature
- Multiple body options (Including no body option)
- Available with stainless steel escutcheon
- Silicone & EPDM grommets available
- LED versions optional
- Very cost efficient
- Great air draw

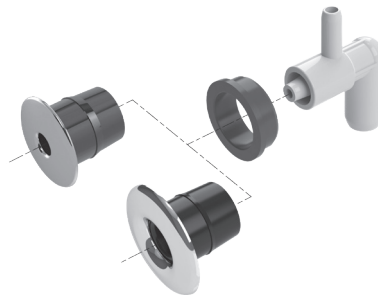


### SGMS Micro Components

Part No.	Description	Figure1	Color	Case Quantity
425-4030	3/8" in SB Straight Adaptor	C	White	500
425-6000	Micro 90° Ell Adaptor, 3/8" SB	B	White	1100
425-6038	Micro Jet Venturi, Same Side 3/8" SB with LED Port	D	Clear	800
425-6048	SGMS1" Micro Water Feature 30° Wye 3/8" SB with LED Port	A	Clear	1000
670-2709-DSG	SGMS 1 ¼" Micro Jet Assy ; ¼" Nozzle w/ injector & EPDM Grommet	G	DSG	200
670-2701S	SGMS 1 ¼" Micro Jet Assy ; ¼" Nozzle w/ injector & EPDM Grommet	G	Stainless	200
670-2708-SI	SGMS 1 ¼" Micro Jet Assy ; ¼" Nozzle w/ injector & Silicone Grommet:	G	Clear	200
670-2708S-SI	SGMS 1 ¼" Micro Jet Assy ; ¼" Nozzle w/ injector & Silicone Grommet:	G	Stainless	200
670-2718-SI	SGMS 1 ¼" Micro Small Nozzle 0.200" Jet Assy; with injector & Silicone Grommet	E	Clear	200
670-2718S-SI	SGMS 1 ¼" Micro Small Nozzle 0.200" Jet Assy; with injector & Silicone Grommet	E	Stainless	200
670-2588S-SI	SGMS 1 ¼" Micro Water Feature Fan Assy: With Feature & Silicone Grommet	F	Stainless	200
670-2778S	SGMS Micro Multi Air Injector with EPDM Grommet	H	Stainless	500

**Note:** All metal micro components are made with 316 Stainless Steel

# SGMS Technology



**NEW!**

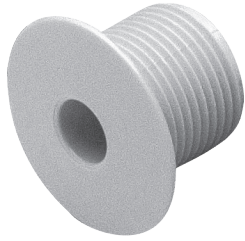


### SGMS Ozone Cluster Jets

Part No.	Description	Case Quantity
670-2900	SGMS Ozone Cluster Body 3/8" SB X 3/4" SB w/.200 Nozzle	100
670-2910	SGMS Ozone Cluster Body 3/8" SB X 3/4" SB w/.250 Nozzle	100
806-2200-EP	EPDM SGMS Ozone Cluster Grommet	
215-2249-DSG	SGMS Ozone Jet Internal; Regular Face 1-5/8" Diameter; DSG	100
215-2241S	SGMS Ozone Jet Internal; Regular Face 1-11/16" Diameter; Stainless	100
215-2259-DSG	SGMS Ozone Jet Internal; Large Face 2" Diameter; DSG	100
215-2251S	SGMS Ozone Jet Internal; Large Face 2-4/25" Diameter; Stainless	100



## Spa Jets / Cluster Jet Internals



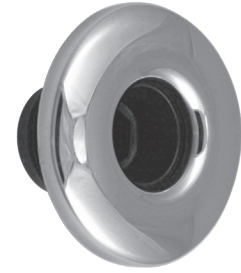
215-9860



212-9900S / 215-9907



215-9847



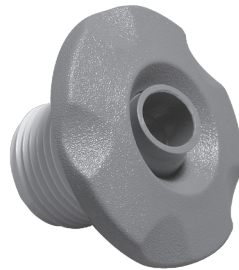
212-9890S



215-9837



212-8810



212-8837

### Cluster Jet Internals

Part No.	Description	Case Quantity
<b>215-9869-DSG</b>	Ozone Jet Internal; Uni-Directional; 1.5" Diameter; DSG	100
<b>212-9870</b>	Ozone Jet Internal; Uni-Directional; 1.5" Diameter; Stainless	500
<b>215-9959-DSG</b>	Ozone Jet Internal; Fixed Directional; 1.8" Diameter; DSG	500
<b>215-9840</b>	Ozone Jet Internal; Large Face 1" Diameter; Uni-Directional; .360 Orifice; 1.9" Diameter; White	65
<b>212-9899-DSGS</b>	Ozone Jet Internal; Thick Large Face Uni-Directional; 2.1" Diameter; Stainless	250
<b>215-9829-DSG</b>	Ozone Jet Internal; Smooth Thick Large Face Uni-Directional; 2" Diameter; DSG	500
<b>215-9839-DSG</b>	Ozone Jet Internal; 5-Scalloped Thick Large Face Uni-Directional; 2" Diameter; DSG	500
<b>212-8817</b>	Ozone Cluster Jet Internal; Smooth Large Face; Adj. Directional; 2" Diameter; Gray	250
<b>212-8837</b>	Ozone Cluster Jet Internal; 5-Scalloped Large Face; Adj. Directional; 2" Diameter; Gray	250
<b>215-9909-DSG</b>	Ozone Cluster Jet Internal; Smooth XL Face; Uni-Directional; 2.4" Diameter; DSG	250
<b>215-9921S</b>	Ozone Cluster Jet Internal; Smooth XL Face; Uni-Directional; 2.4" Diameter; Stainless	250



## Spa Jets / Ozone Cluster & Universal Cluster Jet Body



### Ozone Cluster Jet Body Assemblies

Part No.	Description	Case Quantity
<b>211-0380</b>	Cluster Ozone Straight Jet Body; 1/2" Slip X 3/8" SB	250
<b>212-0090</b>	EII Cluster EII Jet Body; 3/4" RB X 3/8" RB with Nozzle	200
<b>212-0540</b>	EII Body - No Air x 3/4" S Water with Nozzle	180
<b>212-0550</b>	EII Body - 3/8" SB Air x 3/4" SB Water with Nozzle	180
<b>212-0590</b>	EII Body - 3/8" RB Air x 3/4" S Water with Nozzle	180
<b>212-0690</b>	EII Cluster Jet Body; 3/4" SB X 3/8" SB with Kraton L-Gasket	180



### Universal Cluster Jets

Part No.	Description	Case Quantity
<b>212-0500</b>	Universal Cluster Jet Body Assembly - 3/4" RB x 90° EII - Flat Gasket	200

### Euro Blaster Jet Body and Wall Fitting Assembly

<b>212-4159-DSG</b>	3/4" RB x 3/8" SB - 1/2" Orifice - 25 GPM @ 15 PSI	200
---------------------	--	-----

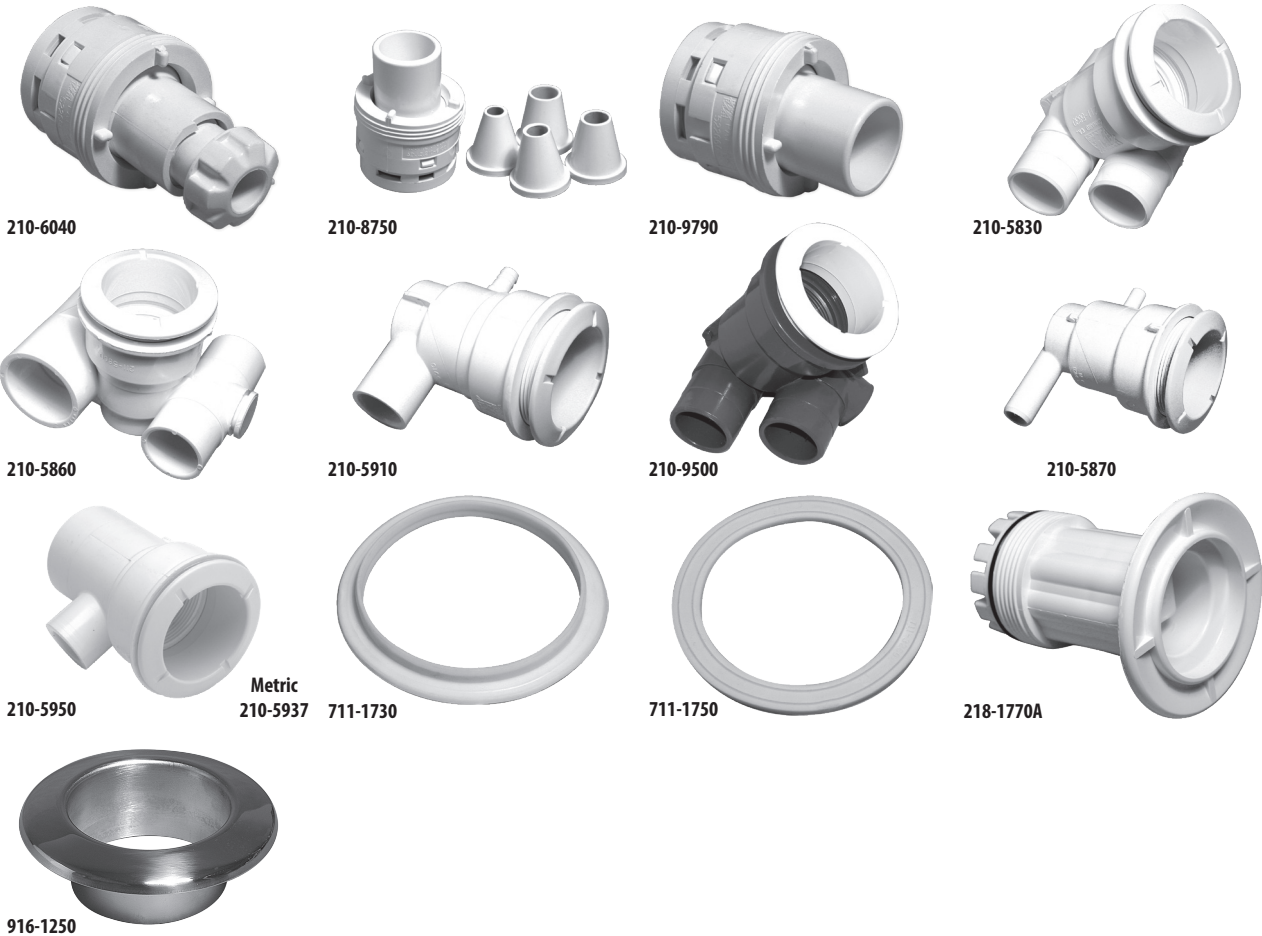
### Cluster Jet Accessories

Part No.	Description	Case Quantity
<b>711-9870</b>	Kraton Flat Gasket; Cluster Ozone Jet; Clear	500
<b>711-9860</b>	Kraton L-Gasket; Cluster Ozone Jet; Clear	500
<b>711-4070</b>	Kraton Gasket; Cluster Ozone Jet for O-Ring Groove	500





## Spa Jets / Poly Jets



Spa Jets

### Standard Poly Jets

Part No.	Description	Case Weight	Case Quantity
<b>210-6040</b>	Adjustable - Caged Style	11.6 lbs.	75
<b>210-8750</b>	Monster - Caged Style (5/16" - 3/8" - 7/16" - 1/2" Orifice)	8.39 lbs.	50
<b>210-9790</b>	Whirlpool - Caged Style (3/4" Orifice)	6.05 lbs.	50

### Poly Jet Body Assemblies

Part No.	Description	Case Quantity
<b>210-5830</b>	1" S Water x 1" S Air - No Top Plug	40
<b>210-5860</b>	Tee Body - 1 1/2" S Water x 1" S Air - with Top Plug	30
<b>210-5870</b>	Ell Body - 3/4" SB Water x 3/8" SB Air	60
<b>210-5910</b>	Ell Body - 3/4" S Water x 3/8" RB Air	60
<b>210-5950</b>	Straight Body - 1 1/2" S Water x 1/2" / 1" Spigot Air	60
<b>210-5937</b>	NEW Metric Jet Body - 50mm Water x 20mm Air	60
<b>210-9500</b>	32mm Water x 32mm Air	30

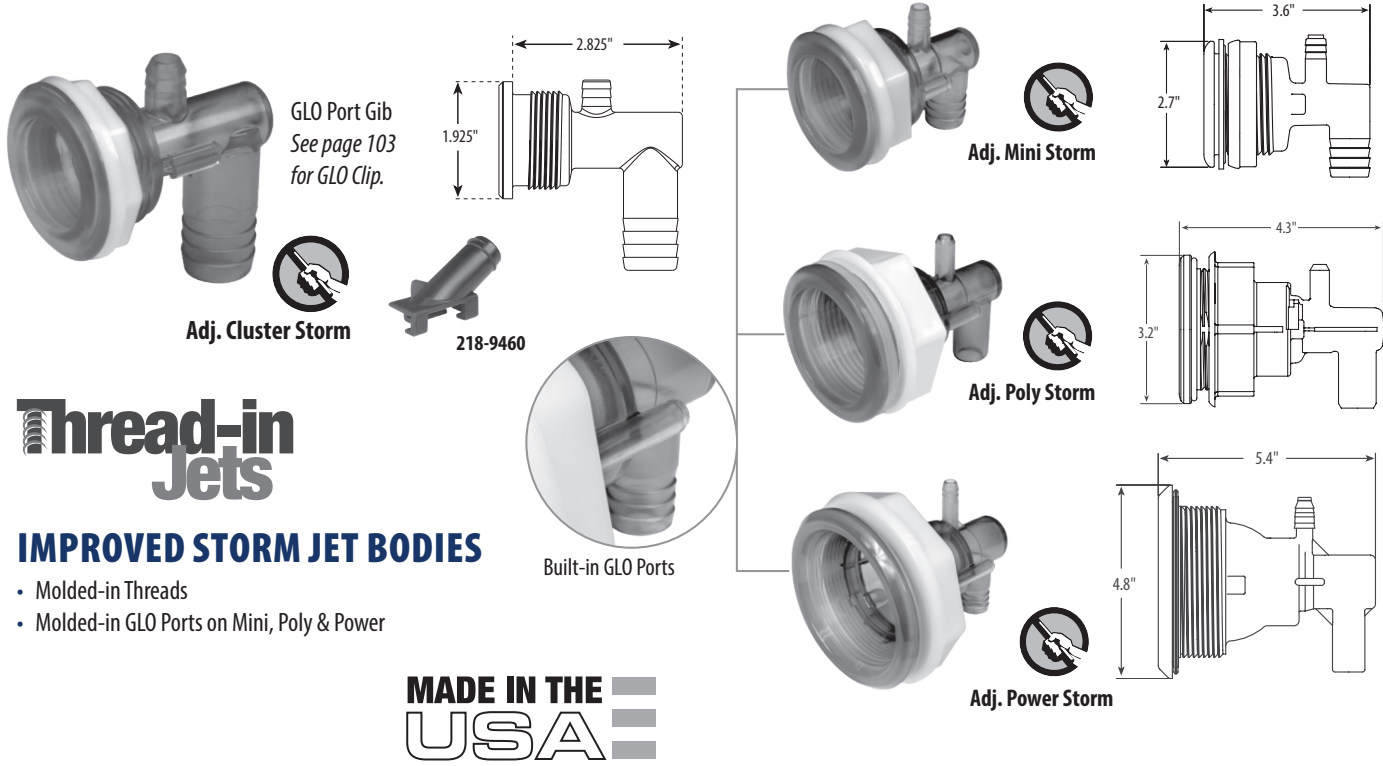
All Poly Jet body assemblies include a body and wall fitting.

### Poly Jet Accessories

Part No.	Description	Case Quantity
<b>711-1730</b>	L - Gasket	1400
<b>711-1750</b>	Standard Gasket (Thin)	500
<b>711-4750</b>	3/16" Gasket (Thick)	500
<b>916-1250</b>	Escutcheon - Stainless Steel (Standard Poly Jets only)	3
<b>218-1770A</b>	Wrench/Test Plug with O-Ring Assembly	150
<b>805-0132</b>	Wrench O-Ring	25

**Note:** Products shown may be covered under patents US8458825, CA2644557.

# Spa Jets / Storm Jet Body Assemblies



## Thread-in Jets

### IMPROVED STORM JET BODIES

- Molded-in Threads
- Molded-in GLO Ports on Mini, Poly & Power

**MADE IN THE USA**

#### Adjustable Cluster Storm Thread-In Jet Body Assemblies

Part No.	Description	Case Quantity
<b>228-1570G</b>	Body Assembly; 3/4" Slip X 3/8" RB; with Kraton L-Gasket & Nut	100
<b>228-1558G</b>	Body Assembly; 3/4" RB X 3/8" RB; with Kraton L-Gasket & Nut	100
<b>228-1568G</b>	Body Assembly; 3/4" SB X 3/8" SB; with Kraton L-Gasket & Nut	100
<b>228-1720G</b>	Body Assembly; 3/4" RB NO AIR; with Kraton L-Gasket & Nut	100

#### Mini-Storm Thread-In Jet Body Assemblies

Part No.	Description	Case Quantity
<b>228-0308G</b>	Body Assembly; 3/4" RB x 3/8" RB; with Kraton L-Gasket & Nut	100
<b>228-0338G</b>	Body Assembly; 3/4" SB x 3/8" SB; with Kraton L-Gasket & Nut	100
<b>228-0340GA</b>	Body Assembly; 3/4" RB NO AIR; with Kraton L-Gasket & Nut	100

#### Poly Storm Thread-In Jet Body Assemblies

Part No.	Description	Case Quantity
<b>228-0408G</b>	Body Assembly; 3/4" RB X 3/8" RB; with Kraton L-Gasket & Nut	70
<b>228-0438G</b>	Body Assembly; 3/4" SB X 3/8" SB; with Kraton L-Gasket & Nut	70
<b>228-0410G</b>	Body Assembly; 3/4" in slip X 3/8" RB; with Kraton L-Gasket & Nut	70

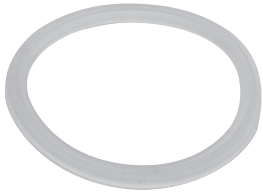
#### Power Storm Thread-In Jet Body Assemblies

Part No.	Description	Case Quantity
<b>228-0048G</b>	Body Assembly; 3/4" RB X 3/8" RB; with Kraton L-Gasket & Nut	25
<b>228-0010G</b>	Body Assembly; 3/4" SB X 3/8" SB; with Kraton L-Gasket & Nut	25
<b>228-0020</b>	Body Assembly; 3/4" slip X 3/8" RB; with Kraton L-Gasket & Nut	25

**Note:** Jet bodies include kraton L-Gaskets. Flat & L-Gaskets available in Kraton & EPDM.

**Note:** Products shown may be covered under patents US8458825, CA2644557.

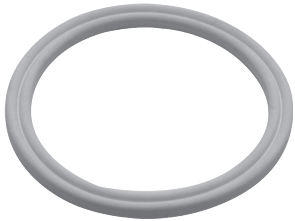
Spa Jets



711-6910

### Storm Jet Flat Kraton Gaskets

Part No.	Description
<b>711-6910</b>	Mini Storm Flat Gasket
<b>711-4410</b>	Poly Storm Flat Gasket
<b>711-6608</b>	Power Storm Flat Gasket



806-0011

### Storm Jet Flat EPDM Gaskets

Part No.	Description
<b>806-0010</b>	Cluster Storm EPDM Flat Gasket
<b>806-0011</b>	Mini Storm EPDM Flat Gasket
<b>806-0012</b>	Poly Storm EPDM Flat Gasket
<b>806-0013</b>	Power Storm EPDM Flat Gasket



711-6900

### Storm Jet Kraton L-Gaskets

Part No.	Description
<b>711-5140L</b>	Cluster Storm Kraton L-Gasket
<b>711-6900</b>	Mini Storm Kraton L-Gasket
<b>711-4400</b>	Poly Storm Kraton L-Gasket
<b>711-6500</b>	Power Storm Kraton L-Gasket



806-0021

### Storm Jet EPDM 55 Shore L-Gaskets

Part No.	Description
<b>806-0018</b>	Cluster Storm 55 Shore EPDM L-Gasket
<b>806-0021</b>	Mini Storm 55 Shore EPDM L-Gasket
<b>806-0022</b>	Poly Storm 55 Shore EPDM L-Gasket
<b>806-0023</b>	Power Storm 55 Shore EPDM L-Gasket



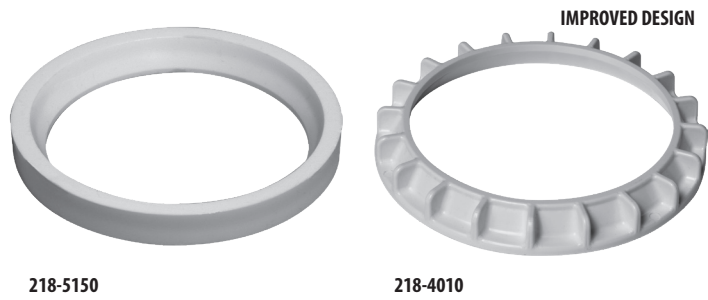
806-0061

### Storm Jet Silicone 45 Shore L-Gaskets

Part No.	Description
<b>806-0060</b>	Cluster Storm Silicone 45 Shore L-Gasket
<b>806-0062</b>	Poly Storm Silicone 45 Shore L-Gasket
<b>806-0063</b>	Power Storm Silicone 45 Shore L-Gasket

### Storm Jet Silicone 50 Shore L-Gaskets

Part No.	Description
<b>806-7800-S</b>	Cluster Storm 50 Shore L-Gasket
<b>806-7810-S</b>	Mini Storm 50 Shore L-Gasket
<b>806-7820-S</b>	Poly Storm 50 Shore L-Gasket
<b>806-7830-S</b>	Power Storm 50 Shore L-Gasket



Storm Jet Self-Alignment Rings		
Part No.	Description	Case Quantity
<b>218-5150</b>	Cluster Storm Self Alignment Ring	500
<b>718-6960</b>	Mini Storm Self Alignment Ring	700
<b>218-4010</b>	Poly Storm Self Alignment Ring	500
<b>218-6680</b>	Power Storm Self Alignment Ring	160
<b>218-6680T</b>	Power-Storm Self-Alignment Ring - Thin	160



LED Clips		
Part No.	Description	Case Quantity
<b>218-9460</b>	GLO LED Clip for Cluster Storm Body	2000

Spa Jets



## Spa Jets / Storm Jet Body Assemblies

**Sure-Seal**  
COLLECTION

### SGMS Technology



#### SGMS Storm Jet Body Assemblies

Part No.	Description	Case Qty.
<b>228-2408</b>	SGMS Cluster Storm Jet Body Assy; 3/4" RB X 3/8" RB; Grommet Included	100
<b>228-2418</b>	SGMS Cluster Storm Jet Body Assy; 3/4" SB X 3/8" SB; Grommet Included	100
<b>228-2448</b>	SGMS Cluster Storm Jet Body Assy; 3/4" RB No Air; Grommet Included	100
<b>228-3408</b>	SGMS Mini Storm Jet Body Assy; 3/4" RB X 3/8" RB; Grommet Included	100
<b>228-3418</b>	SGMS Mini Storm Jet Body Assy; 3/4" SB X 3/8" SB; Grommet Included	100
<b>228-4408</b>	SGMS Poly Storm Jet Body Assy; 3/4" RB X 3/8" RB; Grommet Included	70
<b>228-4418</b>	SGMS Poly Storm Jet Body Assy; 3/4" SB X 3/8" SB; Grommet Included	70
<b>228-5408</b>	SGMS Power Storm Jet Body Assy; 3/4" RB X 3/8" RB; Grommet Included	25
<b>228-5418</b>	SGMS Power Storm Jet Body Assy; 3/4" SB X 3/8" SB; Grommet Included	25

#### SGMS Storm Jet Body Grommets

Part No.	Description	Case Qty.
<b>806-0140</b>	EPDM Grommet; SGMS Cluster Storm Jet Body, Water Feature; Gray	--
<b>806-0141</b>	EPDM Grommet; SGMS Mini Storm Jet Body; Gray	--
<b>806-0142</b>	EPDM Grommet; SGMS Poly Storm Jet Body, 3in Light; Gray	--
<b>806-0143</b>	EPDM Grommet; SGMS Power Storm Jet; Gray	--

#### SGMS Storm Jet Body

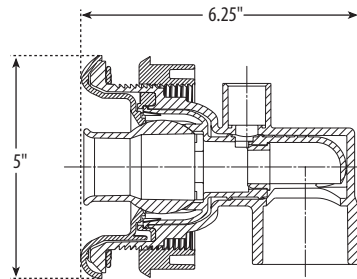
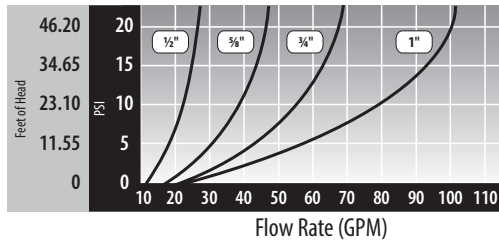
Part No.	Description	Case Qty.
<b>201-5208</b>	SGMS Cluster Storm Jet Body 3/4" RB X 3/8" RB	150
<b>201-5218</b>	SGMS Cluster Storm Jet Body 3/4" SB X 3/8" SB	150
<b>201-5220</b>	SGMS Cluster Storm Jet Body 3/4" RB X No Air	150
<b>201-5230</b>	SGMS Cluster Storm Jet Body 3/4" SB X No Air	150
<b>201-6878</b>	SGMS Mini Storm Jet Body 3/4" RB X 3/8" RB	180
<b>201-6888</b>	SGMS Mini Storm Jet Body 3/4" SB X 3/8" SB	180
<b>201-6890</b>	SGMS Mini Storm Body 3/4" SB X No Air	180
<b>201-4208</b>	SGMS Poly Storm Jet Body 3/4" RB X 3/8" RB	100
<b>201-4218</b>	SGMS Poly Storm Jet Body 3/4" SB X 3/8" SB	100
<b>201-6738</b>	SGMS Power Storm Jet Body 3/4" RB X 3/8" RB	40
<b>201-6758</b>	SGMS Power Storm Jet Body 3/4" SB X 3/8" SB	40



## Whirlpool Jets - Specifications

**FEATURES:**

- Adjustable flow control
- Large 1 1/2" socket intake
- Available in smooth face and 5-Scallop escutcheons
- Four water nozzle sizes to choose from: 1/2" - 5/8" - 3/4" and 1" (see flow chart)
- Self-alignment ring available for use without silicone (optional)
- Universal on/off control (on = counter clockwise / off = clockwise)
- Available as Glo Jets



## Whirlpool Bodies

Part No.	Description	Case Quantity
<b>228-2008</b>	GLO Whirlpool Jet Body Assy, 1 1/2" Slip X 1/2" Slip; W/Kraton Flat Gasket & Nut	25
<b>228-2008GA</b>	GLO Whirlpool Body Assy, 1 1/2" Slip X 1/2" Slip; W/Kraton L-Gasket & Nut	25

**Note:** For Glo Whirlpool Jet bodies, change the last number to 8. ie: 228-2008

## SGMS Whirlpool Bodies

Part No.	Description	Case Quantity
<b>228-6308</b>	GLO SGMS Whirlpool Jet Body Assembly; 1 1/2" Slip X 1/2" Slip W/EPDM Grommet	25

**Note:** Other styles available upon request

## Whirlpool Jet Internals

Part No.	Description	Case Quantity
<b>239-5709S-DSG</b>	Adjustable Whirlpool Omni Majestic Directional Internal; DSG/Stainless	40
<b>239-8809S-DSG</b>	Adjustable Whirlpool Omni Eclipse Directional Internal; DSG/Stainless	40

## Whirlpool Accessories

Part No.	Description	Case Quantity
<b>223-0010</b>	Air Check Valve Adapter - 3/8" SB x 1/2" Spigot	600



**223-0010**

Spa Jets

**SGMS  
Technology**

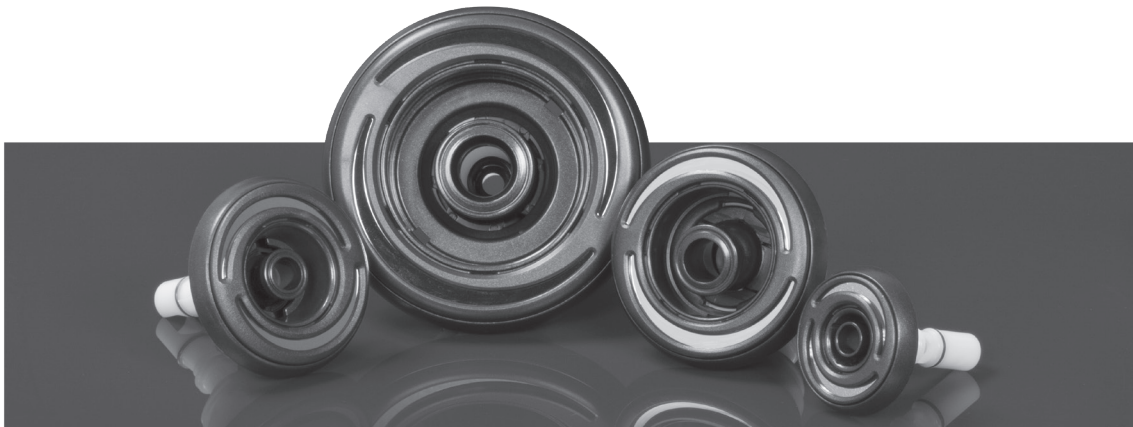


# Omni Storm Jets



## Omni Storm Jets - Orion

Part No.	Jet Type	Eyeball	Size	Style	Case Qty.
<b>239-4009S-DSG</b>	Cluster Storm	Directional	2 1/4"	DSG/Stainless	200
<b>239-4019S-DSG</b>	Cluster Storm	Twin Roto	2 1/4"	DSG/Stainless	200
<b>239-4209S-DSG</b>	Mini Storm	Directional	3 5/16"	DSG/Stainless	150
<b>239-4229S-DSG</b>	Mini Storm	Twin Roto	3 5/16"	DSG/Stainless	150
<b>239-4909S-DSG</b>	LG Poly Storm	Directional	4 3/8"	DSG/Stainless	70
<b>239-4929S-DSG</b>	LG Poly Storm	Twin Roto	4 3/8"	DSG/Stainless	70
<b>239-4969S-DSG</b>	Poly Storm	Directional	4.1"	DSG/Stainless	70
<b>239-4979S-DSG</b>	Poly Storm	Twin Roto	4.1"	DSG/Stainless	70
<b>239-4409S-DSG</b>	Power Storm	Directional	5 1/4"	DSG/Stainless	40
<b>239-4429S-DSG</b>	Power Storm	Twin Roto	5 1/4"	DSG/Stainless	40



## Omni Storm Jets - Eclipse

Part No.	Jet Type	Eyeball	Size	Style	Case Qty.
<b>243-8409S-DSG</b>	Cluster Storm	Directional	2.32"	DSG/Stainless	200
<b>243-8439S-DSG</b>	Cluster Storm	Twin Roto	2.32"	DSG/Stainless	200
<b>243-8509S-DSG</b>	Mini Storm	Directional	3.17"	DSG/Stainless	150
<b>243-8539S-DSG</b>	Mini Storm	Twin Roto	3.17"	DSG/Stainless	150
<b>243-8609S-DSG</b>	Poly Storm	Directional	3.61"	DSG/Stainless	70
<b>243-8659S-DSG</b>	Poly Storm	Twin Roto	3.61"	DSG/Stainless	70
<b>243-8709S-DSG</b>	Power Storm	Directional	5.24"	DSG/Stainless	40
<b>243-8739S-DSG</b>	Power Storm	Twin Roto	5.24"	DSG/Stainless	40

**Note:** Other eyeball types and colors available upon request

# Omni Storm Jets



## Omni Storm Jets - 4 Swirl

Part No.	Jet Type	Eyeball	Size	Style	Case Qty.
<b>243-9409S-DSG</b>	Cluster Storm	Directional	2.32"	DSG/Stainless	200
<b>243-9439S-DSG</b>	Cluster Storm	Twin Roto	2.32"	DSG/Stainless	200
<b>243-9509S-DSG</b>	Mini Storm	Directional	3.17"	DSG/Stainless	150
<b>243-9539S-DSG</b>	Mini Storm	Twin Roto	3.17"	DSG/Stainless	150
<b>243-9609S-DSG</b>	Poly Storm	Directional	3.61"	DSG/Stainless	70
<b>243-9639S-DSG</b>	Poly Storm	Twin Roto	3.61"	DSG/Stainless	70
<b>243-9809S-DSG</b>	Power Storm	Directional	5.24"	DSG/Stainless	40
<b>243-9839S-DSG</b>	Power Storm	Twin Roto	5.24"	DSG/Stainless	40



## Omni Storm Jets - Revo

Part No.	Jet Type	Eyeball	Size	Style	Case Qty.
<b>243-7009S-DSG</b>	Cluster Storm	Directional	2.32"	DSG/Stainless	200
<b>243-7039S-DSG</b>	Cluster Storm	Twin Roto	2.32"	DSG/Stainless	200
<b>243-7109S-DSG</b>	Mini Storm	Directional	3.17"	DSG/Stainless	150
<b>243-7139S-DSG</b>	Mini Storm	Twin Roto	3.17"	DSG/Stainless	150
<b>243-7209S-DSG</b>	Poly Storm	Directional	3.61"	DSG/Stainless	70
<b>243-7239S-DSG</b>	Poly Storm	Twin Roto	3.61"	DSG/Stainless	70
<b>243-7309S-DSG</b>	Power Storm	Directional	5.24"	DSG/Stainless	40
<b>243-7339D-DSG</b>	Power Storm	Twin Roto	5.24"	DSG/Stainless	40

**Note:** Other eyeball types and colors available upon request

**Spa Jets / Omni Storm Jets - Majestic & Smooth**

*Omni Storm Jets*



**Omni Storm Jets - Majestic**

Part No.	Jet Type	Eyeball	Size	Style	Case Qty.
<b>243-1609S-DSG</b>	Cluster Storm	Directional	2.32"	DSG/Stainless	200
<b>243-1639S-DSG</b>	Cluster Storm	Twin Roto	2.32"	DSG/Stainless	200
<b>243-2609S-DSG</b>	Mini Storm	Directional	3.17"	DSG/Stainless	150
<b>243-2639S-DSG</b>	Mini Storm	Twin Roto	3.17"	DSG/Stainless	150
<b>243-3609S-DSG</b>	Poly Storm	Directional	3.61"	DSG/Stainless	70
<b>243-3639S-DSG</b>	Poly Storm	Twin Roto	3.61"	DSG/Stainless	70
<b>243-5609S-DSG</b>	Power Storm	Directional	5.24"	DSG/Stainless	40
<b>243-5639S-DSG</b>	Power Storm	Twin Roto	5.24"	DSG/Stainless	40



**Omni Storm Jets - Smooth**

Part No.	Jet Type	Eyeball	Size	Style	Case Qty.
<b>243-3109S-DSG</b>	Cluster Storm	Directional	2.32"	DSG/Stainless	200
<b>243-3139S-DSG</b>	Cluster Storm	Twin Roto	2.32"	DSG/Stainless	200
<b>243-3209S-DSG</b>	Mini Storm	Directional	3.17"	DSG/Stainless	150
<b>243-3239S-DSG</b>	Mini Storm	Twin Roto	3.17"	DSG/Stainless	150
<b>243-3309S-DSG</b>	Poly Storm	Directional	3.61"	DSG/Stainless	70
<b>243-3339S-DSG</b>	Poly Storm	Twin Roto	3.61"	DSG/Stainless	70
<b>243-3409S-DSG</b>	Power Storm	Directional	5.24"	DSG/Stainless	40
<b>243-3439S-DSG</b>	Power Storm	Twin Roto	5.24"	DSG/Stainless	40

*Note: Other eyeball types and colors available upon request*



**NEW!**



**Air Max Jets**

Part No.	Jet Type Description
<b>239-8908-MTB</b>	Cluster Storm Air Max solo stream style
<b>239-8908S-MTB</b>	Cluster Storm Air Max solo stream style w/ metal
<b>239-8918-MTB</b>	Cluster Storm Air Max tri-stream style
<b>239-8918S-MTB</b>	Cluster Storm Air Max tri-stream style w/ metal
<b>239-8928-MTB</b>	Cluster Storm Air Max multi-stream style
<b>239-8928S-MTB</b>	Cluster Storm Air Max multi-stream style w/metal

**FEATURES:**

- Extra large 7 1/2" construction
- Available with adjustable flow control
- Easy through-wall installation
- 3/4" nozzle = 75 GPM flow
- Two ball bearings for added jet life
- 1 1/2" S x 1 1/2" S plumbing



**Master Massage Body Assemblies**

Part No.	Description	Case Quantity
<b>228-1108</b>	GLO Non-Adjustable Master Massage Jet Body Assembly; with 2 Glo Tubes, Kraton Flat Gasket & Nut	10
<b>228-1108EP</b>	GLO Non-Adjustable Master Massage Jet Body Assembly; with 2 Glo Tubes, EPDM Gasket & Nut	10
<b>228-1118</b>	GLO Adjustable Master Massage Jet Body Assembly; with 2 Glo Tubes, Kraton Flat Gasket & Nut	10
<b>228-1118EP</b>	GLO Adjustable Master Massage Jet Body Assembly; with 2 Glo Tubes, EPDM Gasket & Nut	10

**Load Washer Master Massage Bodies**

Part No.	Description	Case Quantity
<b>228-1148EP</b>	GLO Non-Adj. Load Washer Master Massage Jet Body Assy; with 2 Glo Tubes, Load Washer, EPDM Gasket & Nut	10

**Master Massage Internals**

Part No.	Description	Case Quantity
<b>239-1119S-DSG</b>	Non-Adj. Master Massage Smooth Internal, DSG/Stainless	15
<b>240-1118S</b>	GLO Non-Adj. Master Massage Smooth Internal; Clear/Stainless	15
<b>240-1128S</b>	GLO Adj. Master Massage Smooth Internal; Clear/Stainless	15

**Note:** For Glo Massage Jet, change the part number prefix to 235-xxxx.

# Spa Jets / Pulsar Foot Massage Jet / Turbo Jet

**NEW!**

**FEATURES:**

- Natural pulsations without any moving parts, rejuvenate, stimulate and soothe tired feet
- Low profile "Spa Pulse Generator" chamber/body can be mounted under the Spa footwell
- "Spa Pulse Generator" creates and dissolve fine bubbles into the water to enhance the massage and maximize oxygenation of the water
- With the sideway and super high output venturi and 14 active discharge orifices, one jet replaces a bank of several traditional jets



210-9859-DSG



210-9840

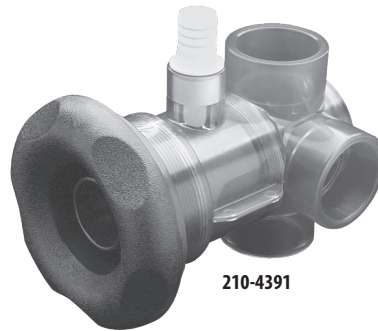
### Pulsar Foot Massage Jets

Part No.	Description	Case Quantity
210-9840	5" Pulsar Jet Assy with 1" Venturi	--
210-9859-DSG	6" Pulsar Jet Assy with 1.5" Venturi	16
210-9869-DSG	6" Pulsar Jet Assy with 1" Venturi	16

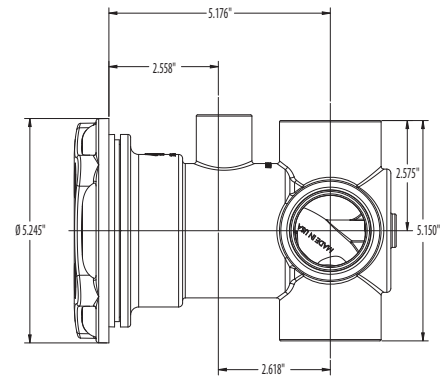
Spa Jets

**FEATURES:**

- Works as a valve to divert water to one or two locations
- Works as a high volume whirlpool jet
- Comes with a built in check valve
- Plumbing size is 1 1/2" S x 2" Spigot for all water ports and 3/4" RB air port



210-4391



HOLE SAW SIZE - 3.25"

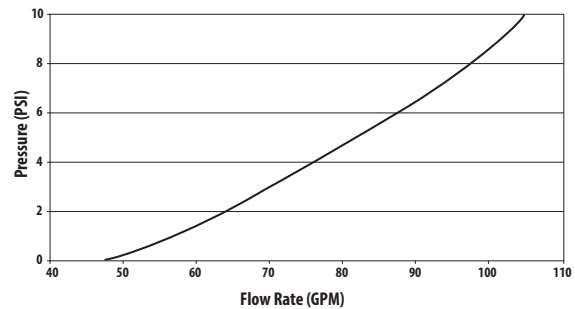


210-43905



218-4360

**Turbo Jet Performance**

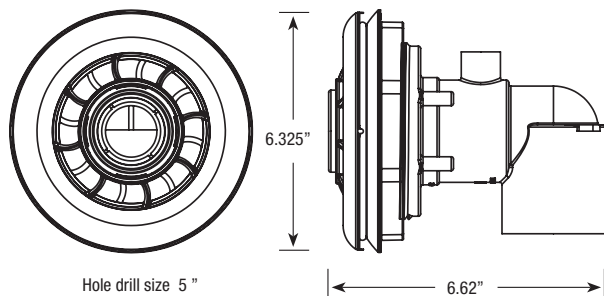


### Turbo Jet

Part No.	Description	Case Quantity
210-4391	1 1/2" S x 2" Spigot Water x 3/4" RB Air - 5 1/4" Flange Diameter	20
210-43995-DSG	1 1/2" S x 2" Spigot Water x 3/4" RB Air - 5 1/4" Flange Diameter - Stainless Steel	20
218-4360	Turbo Jet Wrench	--

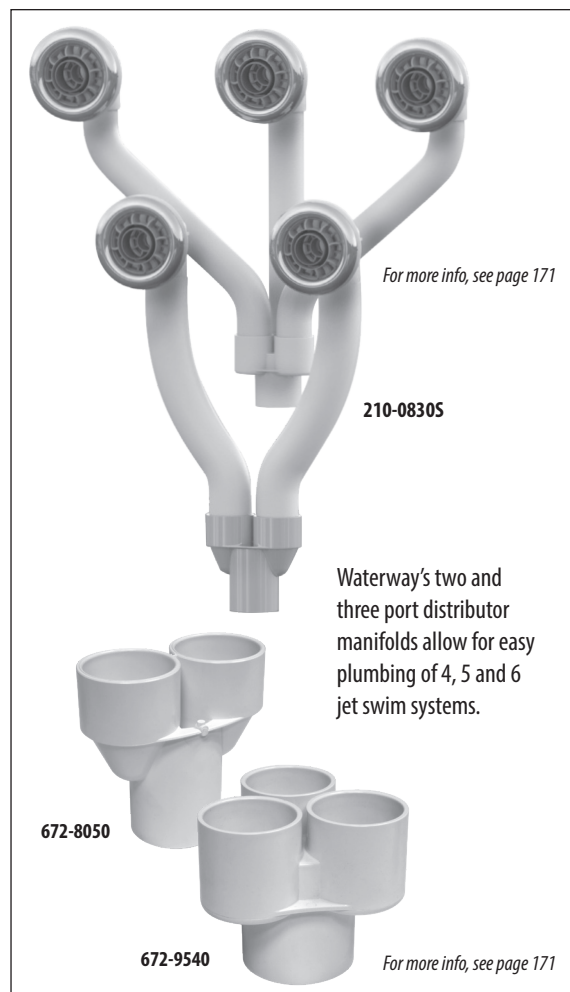


# POWER Stream Swim Jet

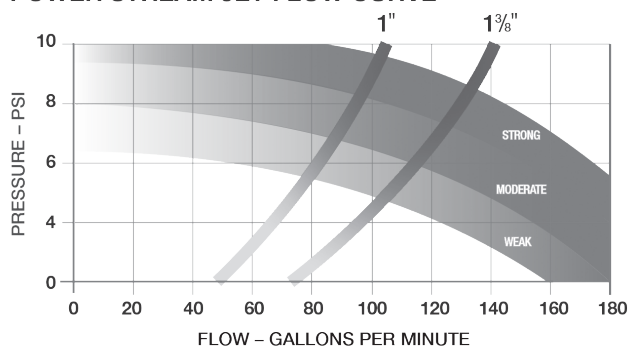


**FEATURES:**

- Through-wall jet installation
- 2" S input for optimum performance
- 1" and 1 3/8" equivalent nozzle sizes
- Nozzles can easily be exchanged
- Sixteen Entraining ports for improved performance
- Four Glo ports for LED lighting
- **Made in America**



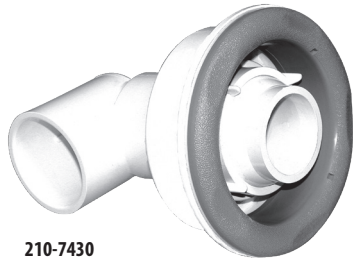
**POWER STREAM JET FLOW CURVE**



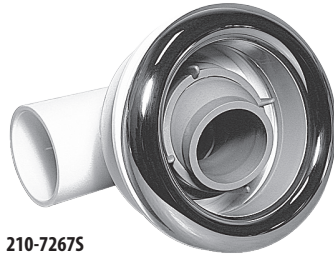
**Power Stream Swim Jet**

Part No.	Description	Case Quantity
210-0828S	Power Stream Swim Jet 1 3/8" Nozzle with Clear/Metal	8
210-0838S	Power Stream Swim Jet 1" Nozzle with Clear/Metal	8
210-0848S	Power Stream Swim Jet 1 3/8" & 1" Nozzle with Clear/Metal (For Sampling)	8
672-9540	Distributor Manifold 2.5" Slip X (3) 2" Slips	25
672-8050	Wye Manifold 2.5" Slip X 2.5" Slip X 2.5" Slip	20

Spa Jets



210-7430



210-72675



210-3917

### Old Faithful Jets

Part No.	Description	Case Quantity
210-7430	Ell Body - 2" S Water x 1/2" S Air - 0.925" Orifice - 90 GPM - 5-Scallop	6
210-7440	Ell Body - 2" S Water x 1/2" S Air - 1 1/2" Orifice - 175 GPM - 5-Scallop	6
210-7270S	Ell Body - 2" S Water x 1/2" S Air - 0.925" Orifice - 90 GPM - Stainless Steel	6
210-7260S	Ell Body - 2" S Water x 1/2" S Air - 1 1/2" Orifice - 175 GPM - Stainless Steel	6
210-3910	Straight Body - 2" S Water x 1/2" S Air - 0.925" Orifice - 90 GPM - 5-Scallop	6
210-3920	Straight Body - 2" S Water x 1/2" S Air - 1 1/2" Orifice - 175 GPM - 5-Scallop	6
210-3910S	Straight Body - 2" S Water x 1/2" S Air - 0.925" Orifice - 90 GPM - Stainless Steel	6
210-3920S	Straight Body - 2" S Water x 1/2" S Air - 1 1/2" Orifice - 175 GPM - Stainless Steel	6
210-7300	1/2" S Air x 2" S Water - .925" Orifice - 90 GPM	6
210-7310	1/2" S Air x 2" S Water - 1 1/2" Orifice - 175 GPM	6

See page 196 for Swim Spa configuration diagrams.

### Old Faithful Jet Accessories

Part No.	Description	Case Quantity
217-7300	1" Nozzle	1
217-7320	1 1/2" Nozzle	1
711-7300	Gasket	1
218-1570A	Old Faithful Wrench w/ O-ring	45

## Spa Jets / Load Washer Rip Current Swim Jet & River Jet



Waterway proudly announces the release of our new Rip Current Swim Jet. This jet has all the great features and performance of its predecessor "the River Jet", but has been redesigned to allow for easier installation. Simply drill a single 5 3/4" hole in the spa wall and you're ready to install.

**Sure-Seal**  
COLLECTION

# Load Washer Technology



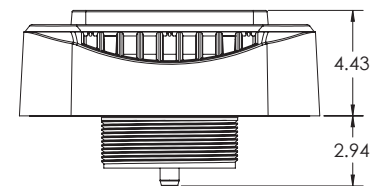
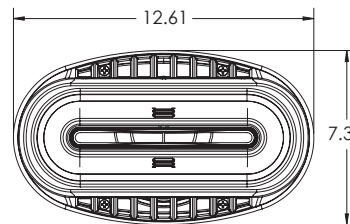
**NEW!**

**Features:**

- Super easy installation
- No routing required
- Available with Stainless Steel escutcheon
- Supports six LED lights
- Same performance as the River Jet
- Eyeball turrets up/down 20%
- Made in America!

**Specifications:**

- Up to 1,000 GPM at 13 PSI
- 8" Wide Eyeball
- XL 2 1/2" S Water X 3/4" SB Air
- Hole saw size: 5 3/4" Dia.



### Rip Current Swim Jet

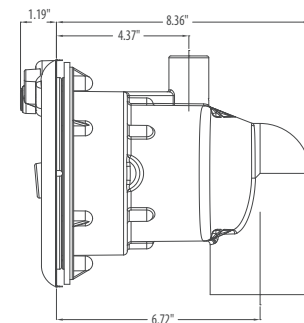
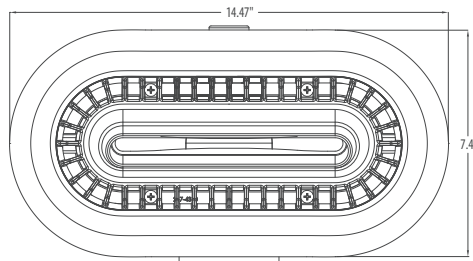
Part No.	Description	Case Quantity
<b>210-5168S-DSG</b>	Rip Current Swim Jet, DSG/Clear/Stainless	3
<b>210-5158</b>	Rip Current Swim Jet Clear	3

210-51005



**FEATURES:**

- 8" wide eyeball
- Eyeball turrets up / down 20%
- Vent Enhancement System
- XL 2 1/2" S intake
- Up to 1000 GPM input at 13 PSI



### River Jets

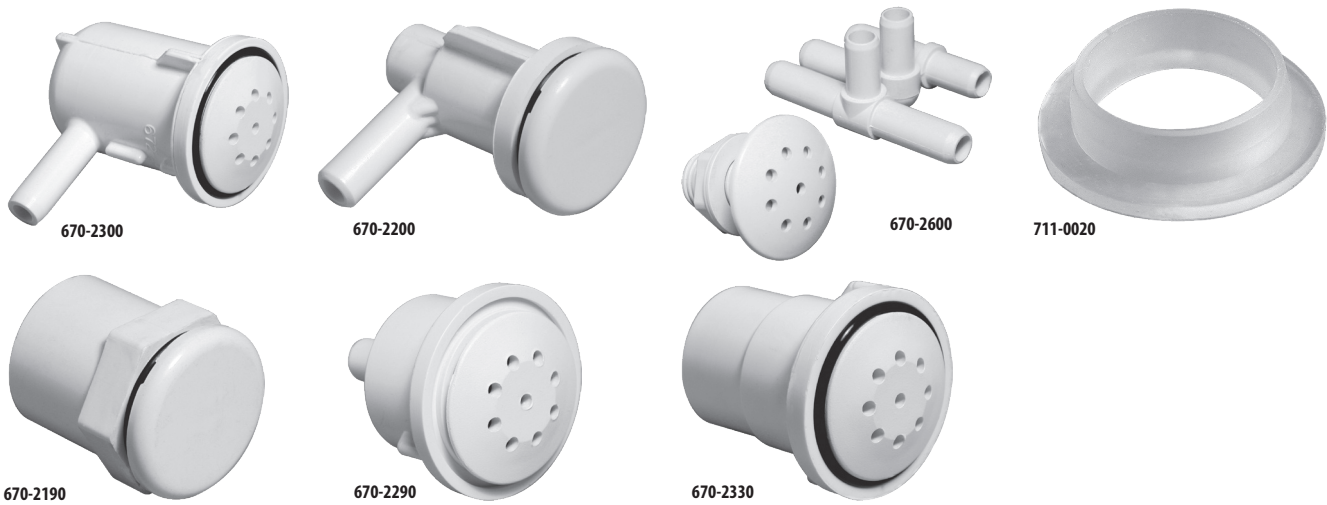
Part No.	Description	Case Quantity
<b>210-5107</b>	River Jet Assy, 2 1/2" Slip X 1" Slip; Gray	1
<b>210-5108S</b>	LED River Jet Assy, 2 1/2" Slip X 1" Slip; Clear/Stainless	1

See page 196 for Swim Spa configuration diagrams.

Spa Jets



## Air Systems / Air Injectors



### Top-Flo Air Injectors

Part No.	Description	Color	Case Quantity
670-2300	3/4" SB Ell Body Assembly	White	100
670-2350	3/4" SB Ell Body Assembly	Stainless	100
670-2600	3/4" SB Multi-Body Assembly	White	200
670-2330	1" Spigot Straight Body Assembly	White	100
670-3280	1" Spigot Straight Body Assembly	Stainless	100
670-2290	3/8" SB Straight Body Assembly	White	150
670-2390	3/8" SB Straight Body Assembly	Stainless	150
670-2550	Ozone Air Injector; 3/8" SB	Stainless	150

### Lo-Pro Air Injectors

Part No.	Description	Color	Case Quantity
670-2190	1" Spigot X 1" Slip Adaptor Style	Stainless	75
670-2200	3/8" SB Ell Body	White	150
670-2210	3/8" SB Ell Body	Stainless	150
711-1350	Kraton L-Gasket; Low-Pro Air Injector	Clear	Each

Air Systems



## SGMS Technology



### SGMS Air Injectors

Part No.	Description	Color	Case Quantity
670-2778S	SGMS Micro Multi Air Injector with EPDM Grommet	Stainless	500
670-2701S	SGMS Micro Rope Air Injector with EPDM Grommet	Stainless	300
670-2451S	SGMS Micro Rope Air Injector Long Throat with EPDM Grommet	Stainless	300
425-4030	3/8" SB Micro Straight Adaptor	White	500
425-6000	3/8" SB Micro 90° Adaptor	White	1,100
425-6048	3/8" LED Micro Wye Adaptor	Clear	1000

See the hole saw size chart pg 191.

# Stealth II



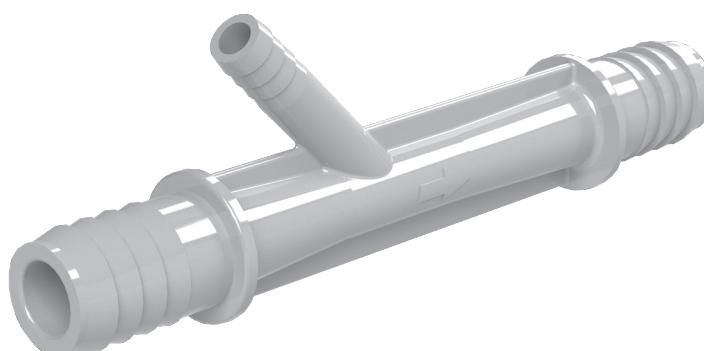
**FEATURES:**

- High performance motor runs cooler and quieter
- High impact resistant construction
- Has been tested, certified and listed by UL to requirements of both UL and CSA standards

### Stealth II Blower

Part No.	Description	Case Quantity
<b>700-3102-58J</b>	1.0 HP - 220V, 1 1/2" Slip / 2" Spigot; 5ft Cord; 4-Pin AMP	6

*See Blower Sizing on page 190 to calculate your required blower size.  
Listed price is without cord. Please call Waterway for part number and pricing with cord.*



### Ozone Injector

Part No.	Description	Case Quantity
<b>672-3000</b>	Ozone Injector 3/4" RB X 3/8" RB	100

Air Systems



## Spa Drains & Suctions / Lo-Pro Suctions and Floor Drains



640-0427



640-0401S



640-0437

### Low Profile Drain Assemblies

Part No.	Description	Color	Case Quantity
640-0407	Lo-Profile Drain Assembly, 3/4" S	Gray	100
640-0407S	Lo-Profile Drain Assembly, 3/4" S	Stainless	100
640-0429-DSG	Lo-Profile Drain Assembly, 3/4" SB	DSG	100
640-0427S	Lo-Profile Drain Assembly, 3/4" S	Stainless	100
640-0487	Lo-Profile Drain Assembly, 1/2" S	Gray	100
640-0437	Lo-Profile Large Face Drain Assembly, 1/2" S	Gray	100



640-4340



640-4447



### 90° EII Low Profile Spa Floor Service Drains

Part No.	Description	Color	Case Quantity
640-4347	Lo-Pro Floor Drain, 3/4" Slip 90° Drain EII	Gray	48
640-4407	Lo-Pro Floor Drain, 1" Slip 90° Drain EII	Gray	40
640-4449-DSG	Lo-Pro Floor Drain, 3/4" SB 90° Drain EII	DSG	40

Drains & Suctions



## SGMS Technology



#### FEATURES:

- Micro size (just 1 1/2" in dia.)
- Installs using SGMS technology
- Easy to plumb using 3/8" tubing
- Multiple body options
- LED optional

#### SPECIFICATIONS:

- 1 1/2" diameter
- 1.25 GPM @ 3 PSI
- 2.55 GPM @ 15 PSI
- Hole saw size 43/64"

### SGMS Floor Sweeps

Part No.	Description	Color	Case Quantity
670-2739-DSG	S.G.M.S Micro Floor Sweep 1 1/2" Diameter with EPDM Grommet	DSG	200
425-4030	3/8" SB Micro Straight Adaptor	White	500
425-6000	3/8" SB Micro 90° Adaptor	White	1,100
425-6048	3/8" LED Micro Wye Adaptor	Clear	1000



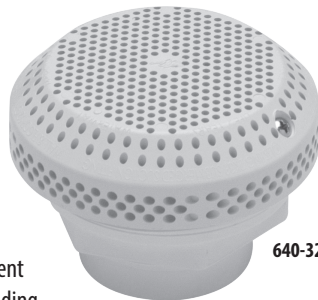


# WARNING

Read and follow all instructions in the Owner's Manual for all equipment.  
Failure to follow instructions can cause injury and/or death.

**VGB  
2017**

All Waterway Drains, Grates and Suctions are Listed and Certified and Tested in strict accordance to the requirements of ASME A112.19.8-2007 and ASME A112.19.8a-2008 (as defined in CPSC letter dated April 8, 2011). Compliant to the latest Consumer Safety Product Commission Requirements (CPSC).



640-3250 VP



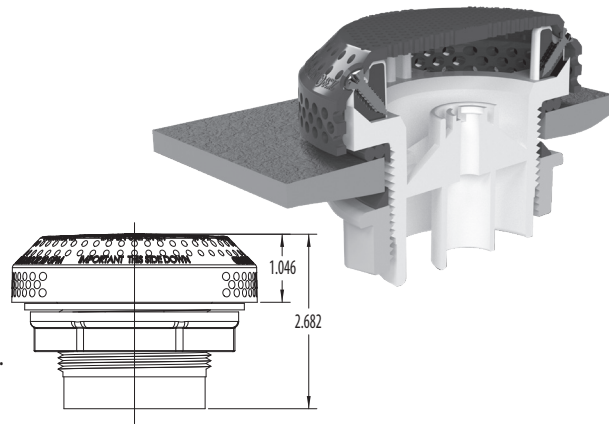
Patent Pending

**FEATURES:**

- New Hi-Flo rating of 128 GPM (without vacuum break)
- For portable spas
- Available in 1 1/2" S sizes

**SPECIFICATIONS:**

- Total Open Area: 4.01 sq. in.
- Floor Flow Rate: N/A
- Wall Flow Rate: 128 GPM



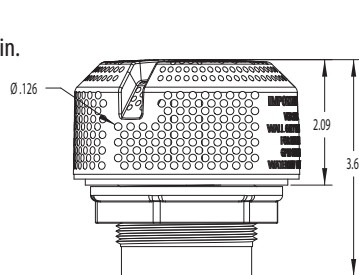
*Note: For Load Washer suction change the prefix to 644-XXXX*

## SPC-2 VP - 3.5" Hi-Flo Suctions

Part No.	Description	Case Quantity
640-325x VP	Hi-Flo Suction Assembly - 1 1/2" Hex (without Vacuum Break)	80
640-328x VP	Hi-Flo Suction Assembly - 1 1/2" 90° Ell (without Vacuum Break)	80

**SPECIFICATIONS:**

- Total Open Area: 6.24 sq. in.
- Floor Flow Rate: N/A
- Wall Flow Rate: 160 GPM
- For portable spas



640-3497 VP



## 3.5" Ultra Hi-Flo Suctions

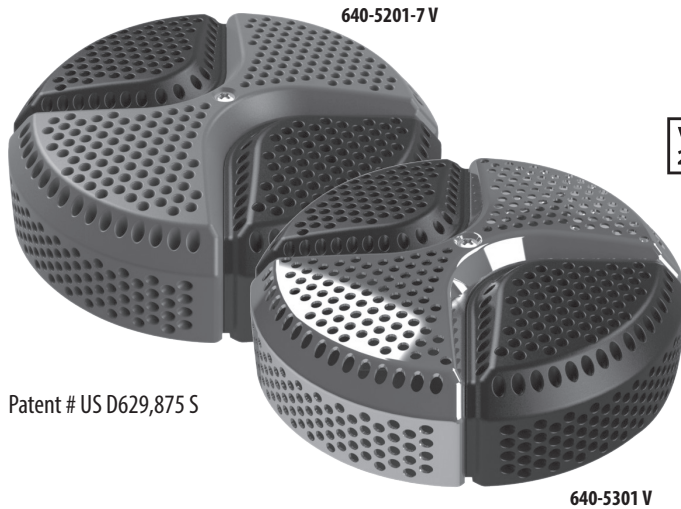
Part No.	Description	Case Quantity
640-349x VP	3.5" Ultra Hi-Flo Suction - Tall Assembly	50

Replace the final x in the part number with the color of your choice (see page 4 for colors).

*Note: For Load Washer suction change the prefix to 644-XXXX*



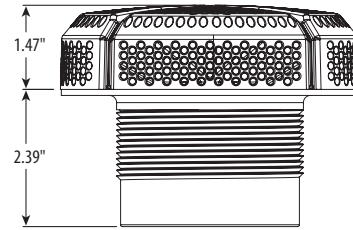
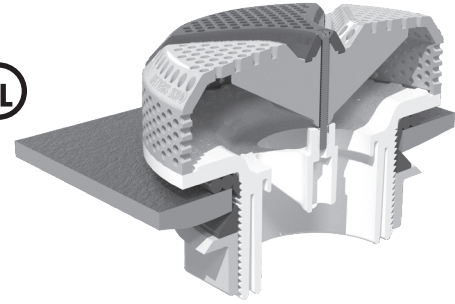
## Spa Drains & Suctions / 5" Designer Pro Series and Super Hi-Flo Suctions



Patent # US D629,875 S

### FEATURES:

- Flow Rate of 180 GPM (portable spas only)
- Available in 2" and 2 1/2" S sizes
- Two tone color for additional color coordination
- Available in Stainless Steel / color of your choice



**Note:** For Load Washer suction change the prefix to 644-XXXX

### 5" Designer Pro Series Suctions

Part No.	Description	Case Quantity
<b>640-520x V</b>	5" Designer Pro Series Suction - 2" S - Two Tone	30
<b>640-525x V</b>	5" Designer Pro Series Suction - 2 1/2" S - Two Tone	30
<b>640-530x V</b>	5" Designer Pro Series Suction - 2" S - Two Tone Stainless Steel	35
<b>640-535x V</b>	5" Designer Pro Series Suction - 2 1/2" S - Two Tone Stainless Steel	35

Replace the final x in the part number with the color of your choice (see page 4 for colors).



640-3797 V

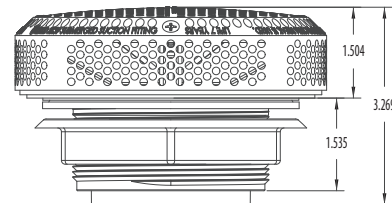
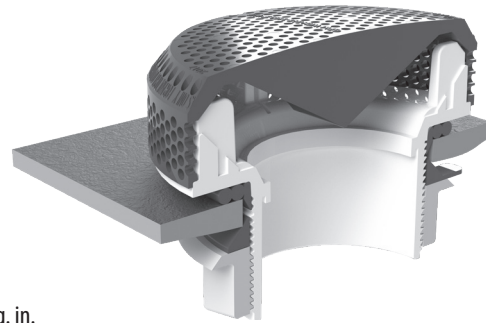


### FEATURES:

- Flow rate of 180 GPM with 2" wall fitting  
251 GPM with 2 1/2" wall fitting (portable spas only)
- Available with load washer

### SPECIFICATIONS:

- Total Open Area: 9.02 sq. in.

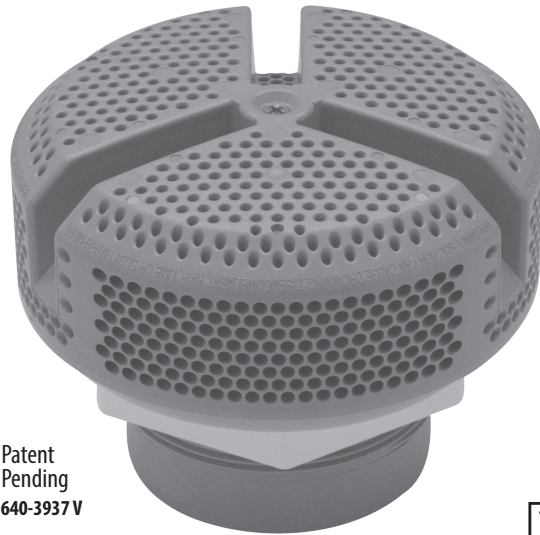


### SPC-3 VP - 5" Super Hi-Flo Suctions

Part No.	Description	Case Quantity
<b>640-378x V</b>	5" Super Hi-Flo Suction Assembly - 2" S	35
<b>640-379x V</b>	5" Super Hi-Flo Suction Assembly - 2 1/2" S	35
<b>640-3570S V</b>	5" Super Hi-Flo Suction Assembly - 2" S - Stainless Steel	35
<b>640-3580S V</b>	5" Super Hi-Flo Suction Assembly - 2 1/2" S - Stainless Steel	35

Replace the final x in the part number with the color of your choice (see page 4 for colors).

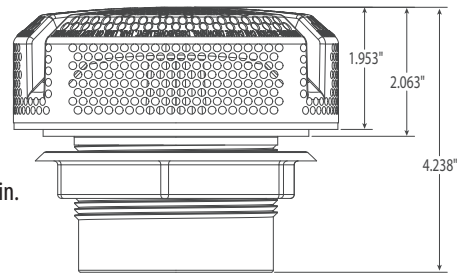
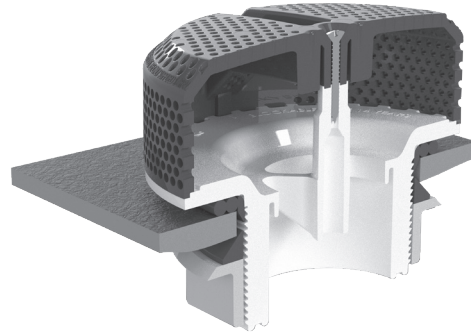
**Note:** For Load Washer suction change the prefix to 644-XXXX



Patent Pending  
640-3937 V



VGB  
2017



**FEATURES:**

- Ultra Flo Rating of 264 GPM (portable spas only)
- Available in 2" and 2 1/2" S sizes

**SPECIFICATIONS:**

- Total Open Area: 11.87 sq. in.

**5" Ultra Flo Suctions**

Part No.	Description	Case Quantity
<b>640-394x VP</b>	5" Ultra Flo Suction Assembly - 2" S	35
<b>640-393x VP</b>	5" Ultra Flo Suction Assembly - 2 1/2" S	35

Replace the final x in the part number with the color of your choice (see page 4 for colors)

**Note:** For Load Washer suction change the prefix to 644-XXXX



**Fittings for Suctions**

Part No.	Description	Case Quantity
<b>642-3680</b>	2 1/2" X 2" Slip Straight Adaptor	80
<b>642-3700</b>	2 1/2" SPG X 2" S 90° Ell Adaptor	50
<b>642-3610</b>	2" S X 2" S 90° Ell Threaded Adaptor	35



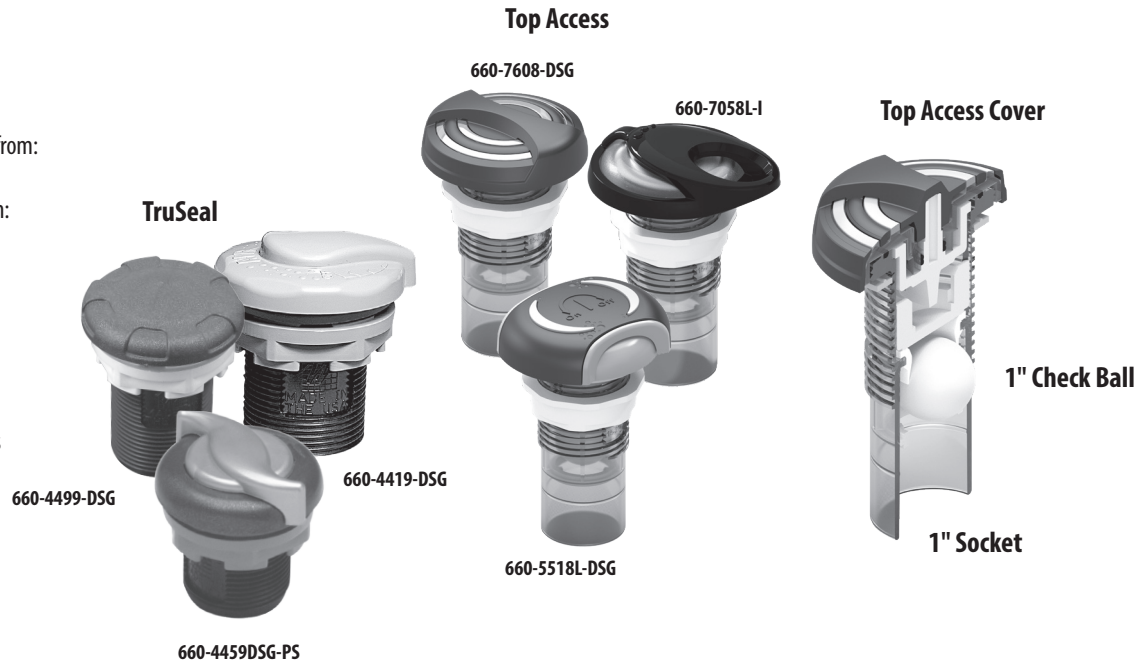
## Air Controls / TruSeal Air Controls, Top Access Controls & Accessories

### TRUSEAL FEATURES:

- Low-Profile design
- Compression molded silicone umbrella valve
- Three handle styles to choose from: standard and stainless steel
- Two body styles to choose from: short and extra short
- Available in a variety of colors

### TOP-ACCESS FEATURES:

- Top accessible for easy service
- Improved fine tune air controls
- Many styles to choose from
- 1" check ball
- 1" socket

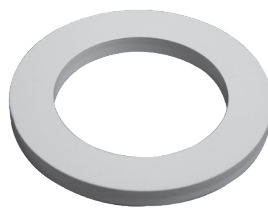


### TruSeal Air Controls

Part No.	Description	Color	Case Quantity
<b>660-4419-DSG</b>	Extra Short Body - 2"	DSG	200
<b>660-4499-DSG</b>	6 - Spoke Extra Short Body - 2"	DSG	150
<b>660-4459DSG-PS</b>	S - Handle Extra Short Body - 2"	DSG/Silver	150



413-4180



730-1000



711-0010

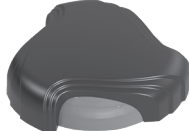
### Air Control Options

Part No.	Description	Case Quantity
<b>413-4180</b>	Blower Assist Tee - F.A.S. 1" S	200
<b>413-4200</b>	Blower Assist Tee - F.A.S. 1/2" S	100
<b>413-4800</b>	SGMS Blower Assist Tee - 1" S	200
<b>413-4292</b>	Snap Blower Assist Tee - 1" S	150
<b>711-0010</b>	Gasket	1000

Top Side Control Styles



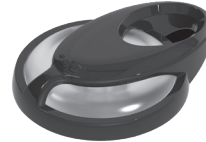
Eclipse



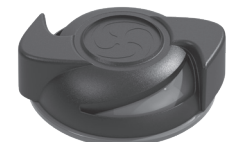
Luxe



Orion



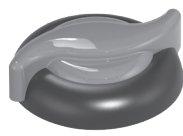
Majestic



Pin Wheel



5-Scallop

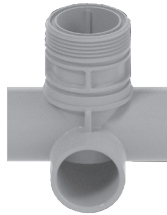


S-Handle

100% ON/OFF Valves



100% ON/OFF Plunger



1" S Horizontal ON/OFF Valve Body



1" S ON/OFF Single Port Valve Body Vertical



ON/OFF Wedge Valve Stem



3/4" S ON/OFF Single Port Vertical Valve Body



3/4" SB ON/OFF Vertical Single Port Valve Body

Positive Seal Valves

Top Side Valves

Diverter Valves



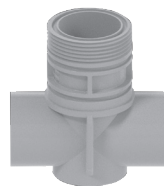
Positive Seal Diverter



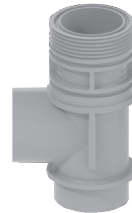
Enclosed Diverter



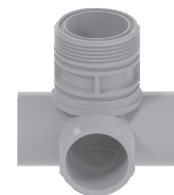
Standard Diverter



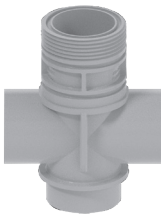
1" S Flo-Thru Valve Body



1" S & 2" S Vertical Single Port Valve Body



1" S & 2" S Horizontal Valve Body



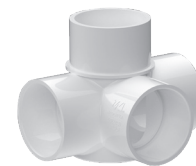
1" S & 2" S Vertical Valve Body



3/4" SB Vertical Single Port Valve Body



3/4" SB Vertical Diverter Valve Body



1" & 2" S Glue-In Horizontal Diverter Valve Body





## Top Side Valves / Orion / Luxe/ Eclipse Valves



**Orion**

### Air Controls - Orion

Part No.	Jet Type	Color	Case Qty.
<b>660-7608-DSG</b>	Top Access Air Control	DSG/Clear	100

### 100% On/Off Valves - Orion

<b>600-7628-DSG</b>	1" S 100% Shut-off On/Off Valve, Vertical	DSG/Clear	80
---------------------	---	-----------	----

### Positive Seal On/Off Valves - Orion

<b>600-3688-DSG</b>	3/4" S Positive Seal On/Off Valve, Vertical	DSG/Clear	100
<b>600-3668-DSG</b>	3/4" SB Positive Seal On/Off Valve, Vertical	DSG/Clear	100
<b>601-7749DSG-8</b>	1" S Positive Seal On/Off Valve, Vertical	DSG/Clear	80

### Diverter Valves - Orion

<b>600-4568-DSG</b>	1" S Diverter Valve, Vertical	DSG/Clear	80
<b>600-4308-DSG</b>	1" S Positive Seal Diverter Valve, Vertical	DSG/Clear	70
<b>600-7608-DSG</b>	2" S Diverter Valve, Vertical	DSG/Clear	20

### Air Controls - Luxe

<b>660-3919DSG-TT</b>	Top Access Air Control	DSG/Titanium	100
-----------------------	------------------------	--------------	-----

### 100% On/Off Valves - Luxe

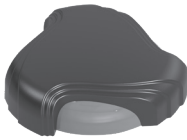
<b>600-3939DSG-TT</b>	1" S 100% Shut-off On/Off Valve, Vertical	DSG/Clear	80
-----------------------	---	-----------	----

### Positive Seal On/Off Valves - Luxe

<b>600-4299DSG-TT</b>	3/4" S Positive Seal On/Off Valve, Vertical	DSG/Titanium	100
<b>600-3929DSG-TT</b>	3/4" SB Positive Seal On/Off Valve, Vertical	DSG/Titanium	100
<b>600-4119DSG-TT</b>	1" S Positive Seal On/Off Valve, Vertical	DSG/Titanium	80

### Diverter Valves - Luxe

<b>600-3969DSG-TT</b>	1" S Diverter Valve, Vertical	DSG/Titanium	80
<b>600-9039GDSG-TT</b>	1" S Positive Seal Diverter Valve, Vertical	DSG/Titanium	70
<b>600-3919DSG-TT</b>	2" S Diverter Valve, Vertical	DSG/Titanium	20



**Luxe**

### Air Controls - Eclipse

<b>660-5518L-DSG</b>	Top Access Air Control	DSG/Clear	100
----------------------	------------------------	-----------	-----

### 100% On/Off Valves - Eclipse

<b>600-5568L-DSG</b>	1" S 100% Shut-off On/Off Valve, Vertical	DSG/Clear	80
----------------------	---	-----------	----

### Positive Seal On/Off Valves - Eclipse

<b>600-5578L-DSG</b>	3/4" S Positive Seal On/Off Valve, Vertical	DSG/Clear	100
<b>600-5508L-DSG</b>	3/4" SB Positive Seal On/Off Valve, Vertical	DSG/Clear	100
<b>600-5588L-DSG</b>	1" S Positive Seal On/Off Valve, Vertical	DSG/Clear	80

### Diverter Valves - Eclipse

<b>600-5529TT-DSG</b>	1" S Diverter Valve, Vertical	DSG/Titanium	80
<b>600-5598L-DSG</b>	1" S Positive Seal Diverter Valve, Vertical	DSG/Clear	70
<b>600-5518L-DSG</b>	2" S Diverter Valve, Vertical	DSG/Clear	20



**Eclipse**



## Top Side Valves / Majestic / Pin Wheel/ 5-Scallop Valves



### Air Controls - Majestic

Part No.	Jet Type	Color	Case Qty.
<b>660-7058L-1</b>	Top Access Air Control	Black/Clear	100

### 100% On/Off Valves -Majestic

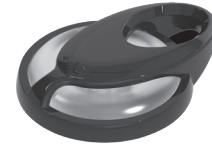
<b>600-7408L-1</b>	1" S 100% Shut-off On/Off Valve, Vertical	Black / Clear	80
--------------------	---	---------------	----

### Positive Seal On/Off Valves - Majestic

<b>600-7418L-1</b>	¾" S Positive Seal On/Off Valve, Vertical		100
<b>600-7428L-1</b>	¾" SB Positive Seal On/Off Valve, Vertical		100
<b>600-7438L-1</b>	1" S Positive Seal On/Off Valve, Vertical		80

### Diverter Valves - Majestic

<b>600-6058L-1</b>	1" S Diverter Valve, Vertical	Black/Clear	80
<b>600-6098L-1</b>	1" S Positive Seal Diverter Valve, Vertical	Black/Clear	70
<b>600-5058L-1</b>	2" S Diverter Valve, Vertical	Black/Clear	20



**Majestic**

### Air Controls - Pin Wheel

<b>660-4779-DSG</b>	Top Access Air Control	DSG	100
---------------------	------------------------	-----	-----

### 100% On/Off Valves - Pin Wheel

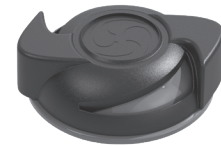
<b>600-4919-DSG</b>	1" S 100% Shut-off On/Off Valve, Vertical	DSG	80
---------------------	---	-----	----

### Positive Seal On/Off Valves - Pin Wheel

<b>600-4808L-DSG</b>	¾" S Positive Seal On/Off Valve, Vertical	DSG/Clear	100
<b>600-4819DSG-1</b>	¾" SB Positive Seal On/Off Valve, Vertical	DSG/Black	100
<b>600-4879DSG-1</b>	1" S Positive Seal On/Off Valve, Vertical	DSG/Black	80

### Diverter Valves - Pin Wheel

<b>600-4799DSG-1</b>	1" S Diverter Valve, Vertical, 1-Port	DSG/Black	80
<b>600-4838L-DSG</b>	1" S Diverter Valve, Vertical, 2-Port	DSG/Clear	80
<b>600-4828L-DSG</b>	1" S Positive Seal Diverter Valve, Vertical, 2-Port	DSG/Clear	70
<b>600-4779DSG-1</b>	2" S Diverter Valve, Vertical, 2-Port	DSG/Black	20



**Pin Wheel**

Top Side Valves

### Air Controls - 5-Scallop

<b>660-3587</b>	Top Access Air Control	Gray	100
-----------------	------------------------	------	-----

### 100% On/Off Valves - 5-Scallop

<b>600-4367</b>	1" S 100% Shut-off On/Off Valve, Vertical	Gray	100
-----------------	---	------	-----

### Positive Seal On/Off Valves - 5-Scallop

<b>600-4707</b>	¾" S Positive Seal On/Off Valve, Vertical	Gray	100
<b>600-4717</b>	¾" SB Positive Seal On/Off Valve, Vertical	Gray	100
<b>600-4587</b>	1" S Positive Seal On/Off Valve, Vertical	Gray	80

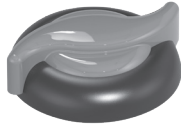
### Diverter Valves - 5-Scallop

<b>600-4227</b>	1" S Diverter Valve, Vertical, 1-Port	Gray	100
<b>600-4217</b>	1" S Diverter Valve, Vertical, 2-Port	Gray	90
<b>600-4577</b>	1" S Positive Seal Diverter Valve, Vertical	Gray	90
<b>600-3047</b>	2" S Diverter Valve, Vertical, 2-Port	Gray	20



**5-Scallop**

## Top Side Valves / S-Handle & SGMS Valves



S-Handle

### Air Controls - S-Handle

Part No.	Jet Type	Color	Case Qty.
<b>660-3609DSG-PS</b>	Top Access Air Control	DSG/Silver	100

### 100% On/Off Valves - S-Handle

<b>600-2709DSG-PS</b>	1" S 100% Shut-off On/Off Valve, Vertical		80
-----------------------	---	--	----

### Positive Seal On/Off Valves - S-Handle

<b>600-3309DSG-PS</b>	3/4" S Positive Seal On/Off Valve, Vertical	DSG/Silver	100
<b>600-3269DSG-PS</b>	3/4" SB Positive Seal On/Off Valve, Vertical	DSG/Silver	100
<b>600-2729DSG-PS</b>	1" S Positive Seal On/Off Valve, Vertical	DSG/Silver	80

### Diverter Valves - S-Handle

<b>600-3249DSG-PS</b>	1" S Diverter Valve, Vertical, 1-Port	DSG/Silver	80
<b>600-3279DSG-PS</b>	1" S Diverter Valve, Vertical, 2-Port	DSG/Silver	
<b>600-2749DSG-PS</b>	1" S Positive Seal Diverter Valve, Vertical	DSG/Silver	70
<b>600-3039DSG-PS</b>	2" S Diverter Valve, Vertical	DSG/Silver	20



## SGMS Technology



#### FEATURES:

- Easier/Faster to install
- No need for Silicone, alignment rings or nut
- No spot facing
- LED Optional
- High Quality NSF Certified Materials
- Fittings built to exceed ASTM Standards
- Fittings are Sch. 40 or better
- RoHS Compliant

Waterway's new SGMS (Sure-Grip Mounting System) allows for an improved method of installing top side controls without the need to use silicone, alignment rings, nuts or having to spot face the back wall surface.

### Eclipse SGMS Top Side Controls

Part No.	Jet Type	Color	Case Qty.
<b>668-5518L-DSG</b>	SGMS Air Control Assy. Eclipse	DSG/Clear	100
<b>608-5508L-DSG</b>	SGMS 100% Shut-Off Valve Assy. Eclipse	DSG/Clear	90
<b>608-5518L-DSG</b>	SGMS 2" Top Access Div. Valve Assy. Eclipse	DSG/Clear	15

### Luxe SGMS Top Side Controls

Part No.	Jet Type	Color	Case Qty.
<b>668-3918L-DSG</b>	SGMS Air Control Assy. Luxe	DSG/Clear	100
<b>608-3928L-DSG</b>	SGMS 100% Shut-Off Valve Assy. Luxe	DSG/Clear	90
<b>608-3918L-DSG</b>	SGMS 2" Top Access Div. Valve Assy. Luxe	DSG/Clear	15

### Orion SGMS Top Side Controls

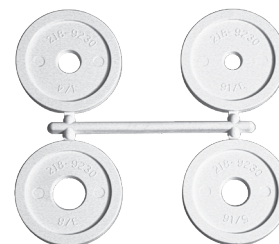
Part No.	Jet Type	Color	Case Qty.
<b>668-7608L-DSG</b>	SGMS Air Control Assy. Orion	DSG/Clear	100
<b>608-3668L-DSG</b>	SGMS 100% Shut-Off Valve Assy., Orion	DSG/Clear	90
<b>608-7608L-DSG</b>	SGMS 2" Top Access Dive. Valve Assy. Orion	DSG/Clear	15

**Note:** Part numbers shown above are for top side controls made in DSG/Glo. All parts are available in multiple color combinations and Glo or Non Glo versions.

**FEATURES:**

- Restricts the amount of flow through On/Off Valves to any water feature
- Break off any one of the four different nozzle sizes for desired water flow

3/16" – 4 GPM      1/4" – 7 GPM  
 5/16" – 10 GPM    3/8" – 15 GPM



**Water Restrictor Washer Tree**

Part No.	Description	Case Quantity
<b>218-9230</b>	Water Restrictor Washer Tree	500



711-4600



711-4310



711-3050

**Valve Gaskets**

Part No.	Description	Case Quantity
<b>711-4310</b>	1" Flat Gasket; ON/Off Valve	100
<b>711-4600</b>	1 1/2" Gasket; 1.5" Valve	100
<b>711-3050</b>	2" Gasket; 2" Diverter Valve	100

Top Side Valves



**Air Bleed Assembly**

Part No.	Description	Case Quantity
<b>212-1801</b>	3/8" Barb	200



## Water Features / 24" Spillway Waterfall / Spillover Waterfall

**NEW!**



**FEATURES:**

- Extra-large 24" spillway
- Built-in reservoir
- Custom overlays available for volume orders

**SPECIFICATIONS:**

- (2) 3/4" SB input ports
- 1 3/16" hole saw size

### 24" Spillway Waterfall

Part No.	Description	Color
675-5708	24" Spillway Assy	Clear

Water Features

## Spillover WATERFALL

Patent #US9,027,848

**FEATURES:**

- Utilizes built-in spa reservoir for water housing
- Sleek, simplistic design
- Adjustable flow control
- Available with glamorous LED feature
- Now top accessible



### 12" & 18" Spillover Waterfall

Part No.	Description	Color	Case Quantity
675-5159-DSG	18" Non-Adjustable One Piece Spillover Waterfall	DSG	10
675-5289-DSG	18" Non-Adjustable Spillover Waterfall	DSG	10
675-5289L-DSG	18" Non-Adjustable LED Spillover Waterfall	DSG/Clear	10
675-5309-DSGL	18" Adjustable LED Spillover Waterfall w/Valve	DSG/Clear	10
675-5339-DSGL	12" Adjustable LED Spillover Waterfall w/Valve	DSG/Clear	8
TW025	12" Spillover Waterfall Negative Mold Insert	N/A	Each
TW027	18" Spillover Waterfall Negative Mold Insert	N/A	Each



3.5"



7"

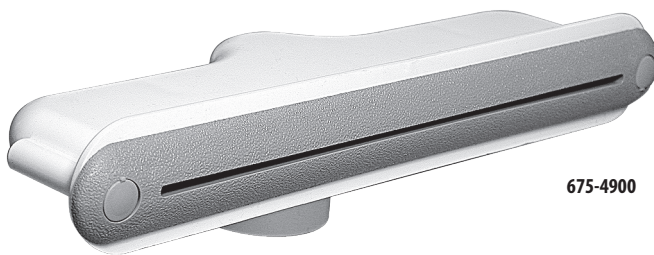
### 3.5" and 7" Non-Adjustable Waterfall

Part No.	Description	Color	Case Quantity
<b>675-4118S</b>	3.5" Single Port Non-Adjustable Waterfall 3/4" SB w/ LED Ports, Gasket & (2ea) Nuts	Stainless	40
<b>675-4119-DSG</b>	3.5" Single Port Non-Adjustable Waterfall 3/4" SB w/ LED Ports, Gasket & (2ea) Nuts	DSG	40
<b>675-3918S</b>	7" Single Port Non-Adjustable Waterfall 3/4" SB w/ LED Ports, Gasket & (2ea) Nuts	Stainless	20
<b>675-3919-DSG</b>	7" Single Port Non-Adjustable Waterfall 3/4" SB w/ LED Ports, Gasket & (2ea) Nuts	DSG	20

### SGMS 3.5" and 7" Non-Adjustable Waterfall

Part No.	Description	Color	Case Quantity
<b>675-4108S</b>	3.5" Single Port Non-Adjustable Waterfall 3/4" SB w/LED Ports & (3ea) EPDM Grommets	Stainless	40
<b>675-4109-DSG</b>	3.5" Single Port Non-Adjustable Waterfall 3/4" SB w/ LED Ports & (3ea) EPDM Grommets	DSG	40
<b>675-3908S</b>	7" Single Port Non-Adjustable Waterfall 3/4" SB w/LED Ports & (3ea) EPDM Grommets	Stainless	20
<b>675-3909-DSG</b>	7" Single Port Non-Adjustable Waterfall 3/4" SB w/ LED Ports & (3ea) EPDM Grommets	DSG	20

Pat. #6,450,418



675-4900

### 6" AQUA FALL

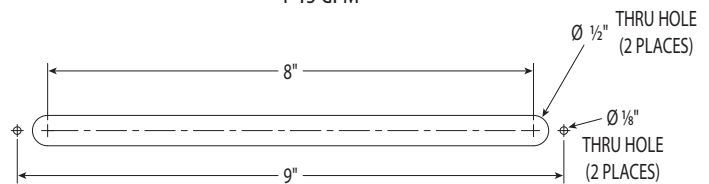
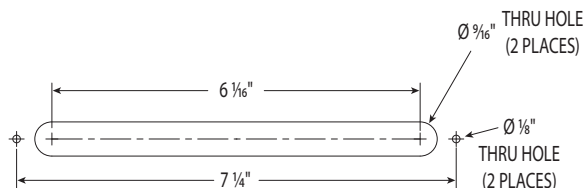
#### FEATURES:

- New 304 Stainless Steel escutcheon
- Simple design - less parts
- 3/4" S intake
- 3-12 GPM

### 8" LOW PROFILE AQUA FALL

#### FEATURES:

- Simple design - less parts
- Low body profile
- 1" S intake
- 4-15 GPM



### Aqua Falls

Part No.	Description	Color	Case Quantity
<b>675-4908LF</b>	8" Aquafall Assembly w/Screen	Clear	40
<b>675-4008LF</b>	6" Aquafall Assembly w/Screen	Clear	50



## Water Features / LED Water Features

Pat. #6,450,418 and 6,595,675



Slotted

Fountain

Rope

Flush Mount  
Pat. #7,818,826

### LED Water Features

Part No.	Description	Color	Case Quantity
<b>210-9209-DSG</b>	Flush Mount Water Feature	Stainless/DSG	100
<b>210-9209-DSGS</b>	Flush Mount Water Feature	DSG	100
<b>210-9318S</b>	Threaded Rope Laminar Water Feature, 3/4" SB	Stainless	100
<b>210-9308S</b>	Threaded Rope Laminar Water Feature, 3/4" RB	Stainless	100
<b>210-9278S</b>	Threaded Fountain Laminar Water Feature, 3/4" SB	Stainless	100
<b>210-9258S</b>	Threaded Fountain Laminar Water Feature, 3/4" RB	Stainless	100
<b>210-9288S</b>	Threaded Slotted Laminar Water Feature, 3/4" SB	Stainless	100
<b>210-9268S</b>	Threaded Slotted Laminar Water Feature, 3/4" RB	Stainless	100
<b>210-9109-DSGS</b>	Threaded Eclipse Laminar Water Feature, 3/4" SB	DSG/Stainless	100

Also available in plastic.

Water Features

## SGMS Technology



#### FEATURES:

- Easy SGMS installation
- Three different water shape: Rope, Slot and Fountain
- Available in 3/4" smooth or ribbed barb
- Removable cover for easy cleaning
- Available with and without stainless steel

**Sure-Seal**  
COLLECTION

### SGMS LED Water Features

Part No.	Description	Color	Case Quantity
<b>210-8518S</b>	SGMS Rope Laminar Water Feature, 3/4" SB	Stainless	100
<b>210-8618S</b>	SGMS Rope Laminar Water Feature, 3/4" RB	Stainless	100
<b>210-8528S</b>	SGMS Fountain Laminar Water Feature, 3/4" SB	Stainless	100
<b>210-8628S</b>	SGMS Fountain Laminar Water Feature, 3/4" RB	Stainless	100
<b>210-8508S</b>	SGMS Slotted Laminar Water Feature, 3/4" SB	Stainless	100
<b>210-8608S</b>	SGMS Slotted Laminar Water Feature, 3/4" RB	Stainless	100

Also available in plastic.



**WATER FEATURE**  
**popUps**

Patent # 8,011,604



675-0707



675-0807



675-0791L



675-0908L

**FEATURES:**

- Pops up when pressurized
- Drops down when depressurized
- Solid 7/16" rod shaped water stream, projects at 45° angle
- Available in several body styles and colors
- Maximum flow 4.76 GPM @ 3 PSI = 48" cascade

Pop-Up Water Features			
Part No.	Description	Color	Case Quantity
675-0707	Standard Pop Up 3/4" RB	Gray	50
675-0717	Standard Pop Up 3/4" SB	Gray	50
675-0727	Standard Pop Up 3/4" Slip	Gray	50
675-0737	Standard Pop Up 1/2" Slip	Gray	50
675-0807	Top Access Pop Up 3/4" RB	Gray	50
675-0817	Top Access Pop Up 3/4" SB	Gray	50
675-0827	Top Access Pop Up 3/4" Slip	Gray	50
675-0837	Top Access Pop Up 1/2" Slip	Gray	50
675-0791L	Top Access LED Pop Up 3/4" RB	Black/Clear	40
675-0908L	Large LED Pop Up 3/4" RB	Clear	50
675-0918L	Large LED Pop Up 3/4" SB	Clear	50
675-0928L	Large LED Pop Up 3/4" Slip	Clear	50
675-0938L	Large LED Pop Up 1/2" Slip	Clear	50

Water Features



## Water Features / Sculptured Ice Feature & Cup Holder Water Feature



675-2088

### FEATURES:

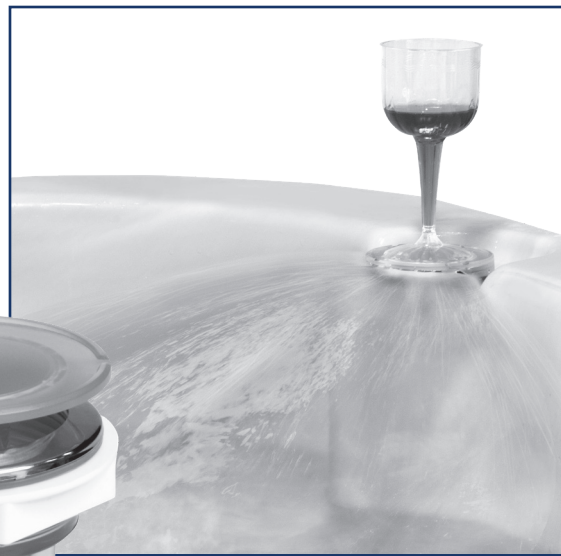
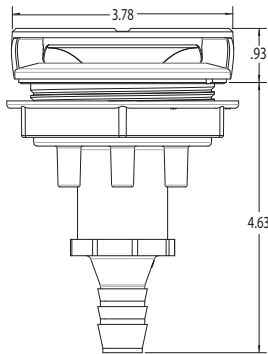
- Brilliantly illuminated resemblance of fire and ice
- Lots of motion
- Uses only three LED's
- Hole saw size is 3 1/8"
- 1" Socket Plumbing
- Requires only 3 – 5 GPM

### Sculptured Ice Feature

Part No.	Description	Color	Case Quantity
<b>675-2088</b>	LED Sculptured Ice Water Feature	Clear	48
<b>675-2088S</b>	LED Sculptured Ice Water Feature - Metal	Clear	48

### Water Features

The "All in One" Water Feature that provides a beautiful and functional setting for all of your favorite beverages!



675-2058LS

### FEATURES:

- Cup holder and water feature in one
- Fits most cups, cans and bottles
- Easy to install
- Accepts most LED points of light

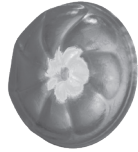
### Cup Holder Water Feature

Part No.	Description	Color	Case Quantity
<b>675-2059-DSG</b>	Cup holder Water Feature	DSG	40
<b>675-2058LS</b>	LED Cup holder Water Feature	Stainless/Clear	40

# SGMS Technology Pin Lights



Petal



Pinwheel

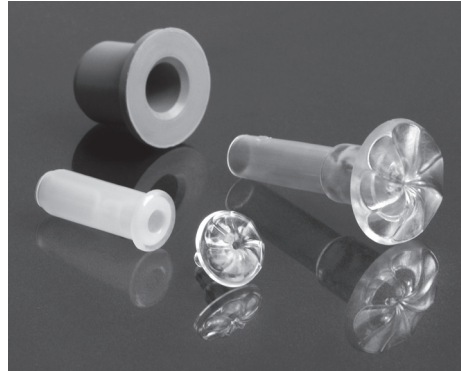


Ripple



Sunburst

Installation is as easy as it gets! Just drill the hole, press in the SGMS grommet into place, then press in one of the different spot light lenses. No need for silicone, threading on a nut or spot facing.



**FEATURES:**

- Ultra-easy to install
- Multiple lenses to choose from
- Light is diffused evenly
- Accepts most LED lights

**SPECIFICATIONS:**

- Silicone & EPDM Grommets
- Clear Polyester Lens
- 5/8" Hole Saw Size  
W Drill (0.386") for acrylic/fiberglass
- 3/4" Hole Saw Size  
0.386" Decco Drill from Phillips Carbide for acrylic/fiberglass
- 1" Hole Saw Size  
43/64" for acrylic/fiberglass



Pin Lights		
Part No.	Description	Case Quantity
633-8028	5/8" SGMS LED Spot Light (Ripple) Assy	2,500
633-8018	5/8" SGMS LED Spot Light (Pinwheel) Assy	2,500
633-8008	5/8" SGMS LED Spot Light (Sunburst) Assy	2,500
633-5008	3/4" SGMS LED Spot Light (Petal) Assy	2,500
633-3038	1" SGMS LED Spot Light (Ripple) Assy	2,500
633-3018	1" SGMS LED Spot Light (Pinwheel) Assy	2,500
633-3028	1" SGMS LED Spot Light (Sunburst) Assy	2,500
633-3008	1" SGMS LED Spot Light (Faceted) Assy	2,500

Lighting



# SGMS Technology

*Note: See page 191 for hole saw size*

SGMS Spa Light			
Part No.	Description	Color	Case Quantity
630-0248	SGMS 2.5" Mini Spa Light	Clear	250
630-6088	SGMS 3.5" Spa Light	Clear	70
630-7028	SGMS 5" Spa Light	Clear	40

Load Washer Spa Light			
Part No.	Description	Color	Case Quantity
630-8058SLC	7.5" XL jumbo spa light w/Load Washer & EPDM Gasket	Stainless	12



## Lighting / LED Spa Lights



633-7078



633-7088



630-0008



630-0068S



630-5008



630-K008



630-K008S



630-6058S

Lighting

### LED Spa Lights

Part No.	Description	Color	Case Quantity
<b>633-7078</b>	½" Threaded Faceted LED Spot Light Assy; Includes Nut	Clear	2500
<b>633-7088</b>	½" Threaded Hex LED Spot Light Assy; Includes Nut	Clear	500
<b>630-0068</b>	2 ½" Mini Spa Light Assy for Single LED; Includes Clear Light, Reflector Housing, Nut & Gasket	Clear	300
<b>630-0068S</b>	2 ½" Mini Spa Light Assy for Single LED; Includes Stainless Light, Reflector Housing, Nut & Gasket	Stainless	100
<b>630-0008</b>	2 ½" Mini Spa Light Assy for Standard Bulb; Includes Clear Light, Reflector Housing, Nut & Gasket	Clear	300
<b>630-0008S</b>	2 ½" Mini Spa Light Assy for Standard Bulb; Includes Stainless Light, Reflector Housing, Nut & Gasket	Stainless	120
<b>630-6058S</b>	7.5" XL Jumbo Spa Light Assy; Includes Stainless Light, Reflector Housing, Nut & Gasket	Stainless	12
<b>630-5005</b>	3 ½" Standard Spa Light Assy; Includes Clear Light, Reflector Housing, Blue & Red Lenses, Nut & Gasket	Clear	50
<b>630-5008</b>	3 ½" Standard Spa Light Assy; Includes Clear Light, Reflector Housing, Nut & Gasket	Clear	70
<b>630-5105</b>	3 ½" Standard Spa Light Assy; Includes Clear Light, Reflector Housing, Red&Blue Lenses, Wire Harness(No Connector), Bulb, Nut & Gasket	Clear	50
<b>630-5205</b>	3 ½" Standard Spa Light Assy; Includes Clear Light, Reflector Housing, Red&Blue Lenses, Wire Harness 2-Pin Connector, Bulb, Nut & Gasket	Clear	50
<b>630-6005</b>	3 ½" Front Access Spa Light Assy; Includes Clear Light, Reflector Housing, Blue & Red Lenses, Wrench, Nut & Gasket	Clear	50
<b>630-6008</b>	3 ½" Front Access Spa Light Assy; Includes Clear Light, Reflector Housing, Wrench, Nut & Gasket	Clear	60
<b>630-K005</b>	5" Standard Spa Light Assy; Includes Clear Light, Reflector Housing, Blue & Red Lenses, Nut & Gasket	Clear	40
<b>630-K008</b>	5" Standard Spa Light Assy; Includes Clear Light, Reflector Housing, Nut & Gasket	Clear	40
<b>630-K008S</b>	5" Standard Stainless Spa Light Assy; Includes Clear Light, Reflector Housing, Nut & Gasket	Stainless	40

Waterway's new small 3 1/8" & large 4 1/4" SGMS LED Cup Holder provides a vivid array of illuminated tranquility, lighting any evening with a mood of pure relaxation.



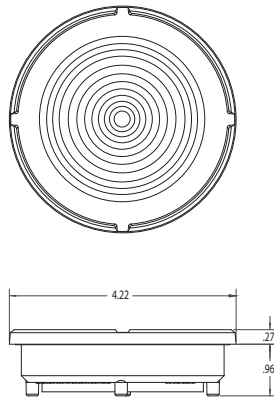
## SGMS Technology

### Features:

- Two sizes to choose from to fill any size space!
- Installs easily via Waterway's patented SGMS LED grommet system
- Uses up to four LED lights for varying degrees of brightness

### Specifications:

- Made of UV resistant Polyester Material
- Silicone Grommet System
- Supports up to 5 points of LED light



Lighting

### SGMS LED Cup Holders

Part No.	Description	Color	Case Quantity
<b>630-4908</b>	S.G.M.S 3 1/8" Standard Crystal Cup Holder Assembly	Clear	100
<b>630-4918</b>	S.G.M.S 3 1/8" Standard Ripple Cup Holder Assembly	Clear	100
<b>630-0168</b>	S.G.M.S 4 1/4" Large Crystal Cup Holder Assembly	Clear	60
<b>630-0178</b>	S.G.M.S 4 1/4" Large Ripple Cup Holder Assembly	Clear	60

### Standard Cup Holders

Part No.	Description	Color	Case Quantity
<b>630-0038</b>	LED Cup holder Assembly; Includes Cup holder, Reflector Housing and Nut	Clear	50





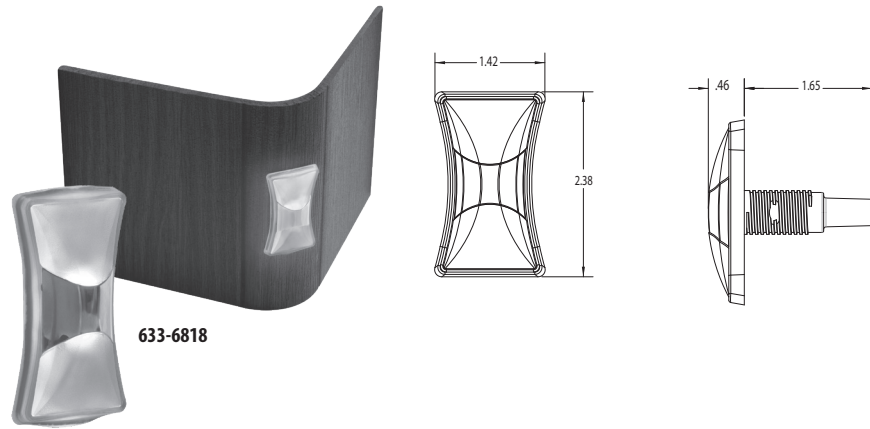
## Lighting / LED Lighting

### FEATURES:

- Elegant Sconce Light
- Illuminates spa skirting
- Conforms to corners as small as 1 1/2" radius
- Works with most single LED points of light
- Made in America!

### Specifications:

- 316 Stainless Steel Escutcheon
- 5/8" Hole Saw



633-6818

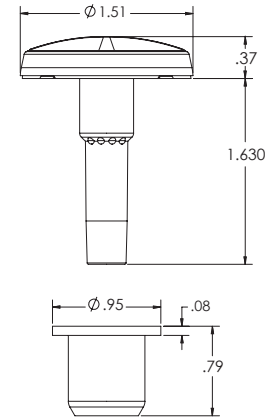
### LED Hourglass Sconce Light

Part No.	Description	Color	Case Quantity
633-6818S	LED Hourglass Sconce Light; Includes Nut & Gasket	Stainless	250



## SGMS Technology

Waterway's Button Sconce Light allows for easy Sure Grip Mounting System (SGMS) installation on the side of most spas. Its streamlined, low profile design prevents the damage that is common in bulkier sconce lights while providing an elegant touch to the spa exterior.



633-68585

### Features:

- Elegant Circular Sconce Light
- Illuminates spa skirting
- SGMS Mounting
- Works with most single LED points of light
- Made in America!

### Specifications:

- UV Resistant Polyester Lens
- 316 Stainless Steel Escutcheon
- 43/64" Hole Saw Size

### SGMS Button Sconce Light

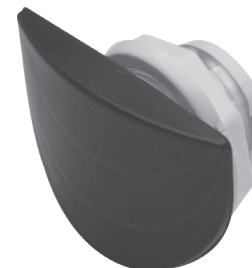
Part No.	Description	Color	Case Quantity
633-68585	1 1/2" SGMS Button Sconce Light; Includes EPDM Grommet	Stainless	250

### Features:

- Illuminates spa skirting
- Mounts to outside perimeter of spa cabinet
- Requires only one LED



660-6300

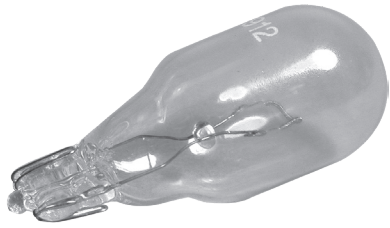


630-6401

### LED Cabinet Light

Part No.	Description	Color	Case Quantity
660-6300	1/2" Threaded Cabinet Light Assembly	Clear	300
630-6401	LED Skirt Light Assembly	Black/Clear	200





813-4370



813-4400



630-0005

### Spa Light Accessories

Part No.	Description	Case Quantity
<b>813-4370</b>	Light Bulb #912	100
<b>630-5535</b>	Power Supply Box; Includes Transformer, NEMA Plug and Air Switch	20
<b>813-4400</b>	Transformer; 110V/12V 1AMP	40
<b>813-4500</b>	Transformer; 230V/12V - 50/60 Hz	40
<b>633-1000</b>	LED Light Harness with 2-Pin Connector	200
<b>630-0005</b>	Blue and Red Lenses	100



# NEO 1500 & NEO 2100

## SPA CONTROL SYSTEMS

Available with **multiple configurations!**



UL certified for the US & Canada  
CE compliant for Europe

**Features:**

- More than 300 different configurations
- Electronic Thermal Sensing (ETS) system
- 240V – 120V convertible
- Available in 50 Hz or 60 Hz
- Topside features a 1.8" color LCD display
- Panel back light with white LED
- Wi-Fi option (2100 Only)
- Easy menu navigation
- Multiple languages (English, French, Spanish, German, Norwegian, Italian)
- Optional Daughter Board 1500 comes with (DB1) only and 2100 comes with both (DB1) & (DB2)
- Real-time clock (NEO 2100 only)
- Accepts NEO 2100, NEO 1100 or NEO 1000 topside panels



Spa Controls

### NEO Spa Control

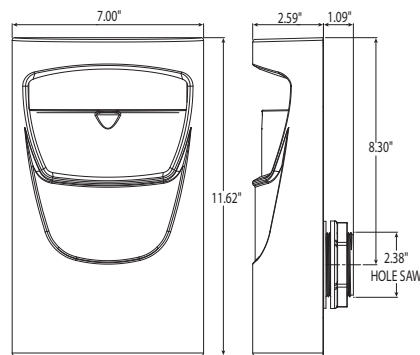
Part No.	Description
<b>777-WW99012</b>	NEO 1500 Control Kit –1-2 Spd Pumps W/NEO 1100 Panel
<b>777-WW99002</b>	NEO 2100 Control Kit –2-2 Spd Pumps w/NEO 1100 Panel
<b>777-WW99004</b>	NEO 2100 Control Kit –2-2 Spd Pumps w/NEO 2100 Panel
<b>775-0501</b>	Daughter Board 1 (DB1) (Allows for up to 2 additional 1 spd pumps or 1 additional 2 spd pump)
<b>775-0502</b>	Daughter Board 2 (DB2) (Allows for up to 4 additional 1 spd pumps or 2 additional 2 spd pump)
<b>775-0503</b>	Bluetooth Kit Assy (Includes screw & stand-off)
<b>775-0504</b>	Wi-Fi Kit Assembly (No added monthly fees.)



640-6609-DSG

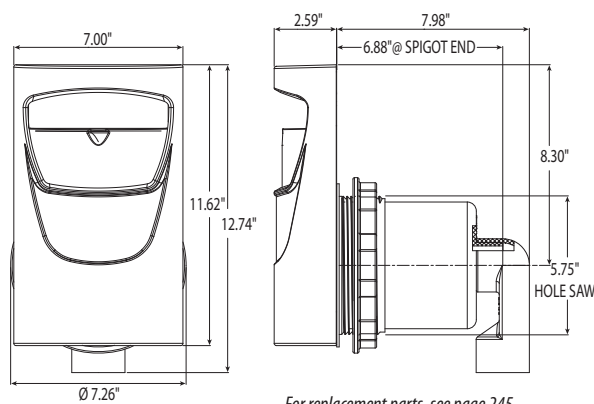
**Strip Skimmer**

Part No.	Description	Color	Case Quantity
<b>640-6609-DSG</b>	Adjustable Strip Skimmer with Lint Basket; 1" Slip Ell	DSG	20



**FEATURES:**

- Floating guillotine-style weir
- Easy through-wall installation (requires only one round hole to mount)
- 15 sq. ft.
- Easily accessible basket
- Skim Filter has easily accessible cartridge



For replacement parts, see page 245



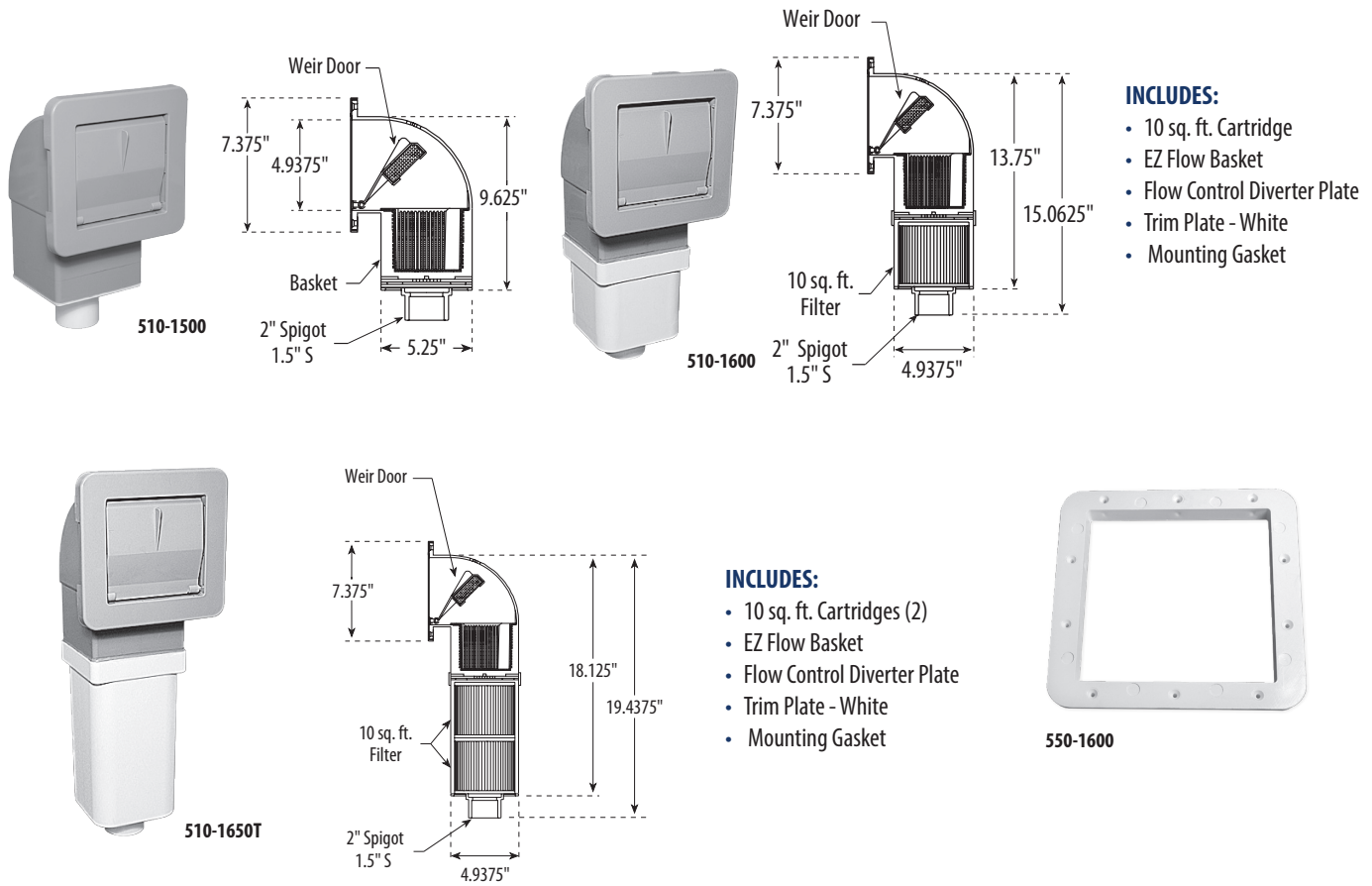
Skimmers / Filters

**Deluxe Strip Skimmer and Strip Skim Filter**

Part No.	Description	Color	Case Quantity
<b>510-6909DSG-TT</b>	Deluxe Strip Skimmer Assembly , 1 1/2" Slip	DSG	5
<b>510-6919-DSGLC</b>	15SF Deluxe Strip Skimmer Assembly , 2" Slip	DSG	5



## Spa Skimmers and Filters / Front Access Skim Filters



For replacement parts, see page 251.

### Front Access Skimmers and Skim Filters

Part No.	Description	Color	Case Quantity
<b>519-4030</b>	10SF & 20SF Square Skimmer Basket	White	7
<b>711-8010</b>	Front Access Filter Kraton L-Gasket	Clear	1
<b>550-1600</b>	Front Access Skimmer Mounting Plate with Screws	White	50

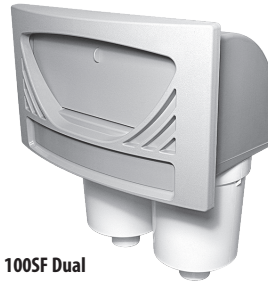
### Front Access Skimmers and Skim Filters

Part No.	Description	Case Quantity
<b>510-1500</b>	Square spa skimmer - 1 1/2" S / 2" spigot - flow control with trim plate	4
<b>510-160</b>	Square spa skimmer - 1 1/2" S / 2" spigot - 10 Sq. ft.	4
<b>510-1650T</b>	Square spa skimmer - 1 1/2" S / 2" spigot - 20 Sq. ft.	2

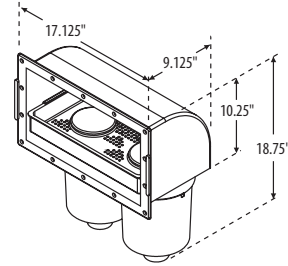
# Spa Skimmers and Filters / Front Access Skim Filters & 100 Sq.Ft. Front Access Skim Filter

## FEATURES:

- 50 sq. ft. Cartridges (2) (100 sq. ft. total)
- 2" Spigot Output Ports (2)
- Extra Large 5 1/2" x 14" Weir Area
- Extra Large 8" x 14" Basket
- Easy Access to Basket and Cartridges
- Easy Through-Wall Installation



100SF Dual



Hole Size 8.75" x 15.5"

## FEATURES:

- 50 sq. ft. Cartridge
- 2" Spigot Output Port
- Easy access to basket and cartridges
- Easy Through-Wall Installation



50SF Single



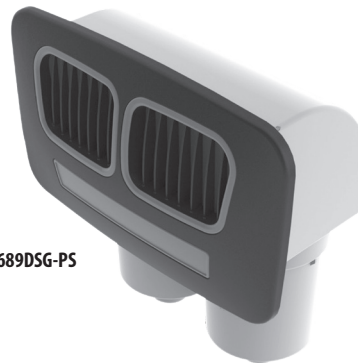
672-5090

## Front Access Skim Filters

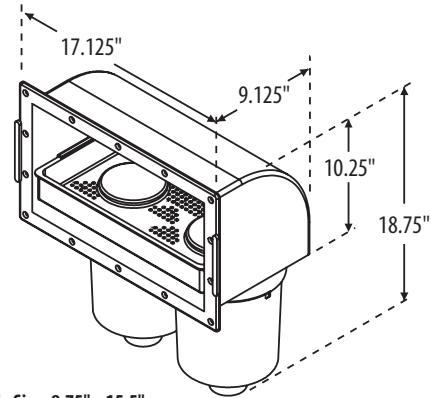
Part No.	Description	Color	Case Quantity
<b>510-9029-DSG</b>	50SF Oval Front Access Skimmer; Single Port; No Cartridge	DSG	2
<b>510-9037</b>	100SF Oval Front Access Skimmer; Single Port	Gray	1
<b>510-6629-DSG</b>	100SF Oval Front Access Skimmer; Dual Port	DSG	2
<b>672-5090</b>	100SF Skim Filter Manifold Tee with Plug	White	20

## FEATURES:

- New Roadster grill design
- 50 sq. ft. Cartridges (2) (100 sq. ft. total)
- 2" Spigot Output Ports (2)
- Extra Large 5 1/2" x 14" Weir Area
- Extra Large 8" x 14" Basket
- Easy Access to Basket and Cartridges
- Easy Through-Wall Installation



510-6689DSG-PS



Hole Size: 8.75" x 15.5"

## 100 sq. ft. Front Access Roadster Skim Filter

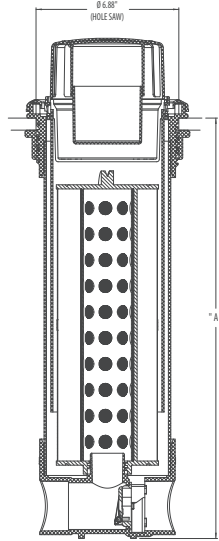
Part No.	Description	Color	Case Quantity
<b>510-6689DSG-PS</b>	100SF Front Access Roadster Skim Filter	DSG/Silver	2



## Spa Skimmers and Filters / Teleweir Skim Filters

### FEATURES:

- Cage-style tower eliminates unwanted vortexing
- Safety orientated
- Easily accessible basket for effortless cleaning
- Available in several different filter sizes
- 2" Socket IN/OUT plumbing
- Built in Check Valve
- Hole Saw Size:  $\varnothing$  6.88"
- Custom logo plate available for volume orders



510-4600

For replacement parts, see page 238

### Teleweir Skim Filters

Part No.	Description	"A" Dimension	Case Quantity
510-463X	25SF Teleweir Skim Filter	20 1/4"	4
510-462X	35SF Teleweir Skim Filter	16"	4
510-460X	50SF Teleweir Skim Filter	20 1/4"	4
510-468X	50SF Teleweir Skim Filter; Low Volume	20 1/4"	4

### FEATURES:

- Extra-large housing designed especially for Swim Spas
- Cage-style tower eliminates unwanted vortexing
- Safety orientated
- Easily accessible basket for effortless cleaning
- Hi capacity 2 1/2" Socket IN/OUT Plumbing
- Built in check valve
- Hole saw size is 8.5"
- Custom logo plates available for volume orders



### Mega Teleweir Skim Filters

Part No.	Description	"A" Dimension	Case Quantity
510-567X	75SF Mega Teleweir Skim Filter	21 3/4"	2

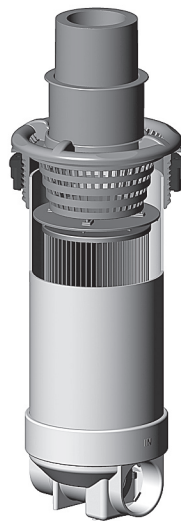
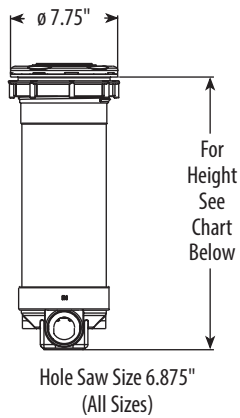




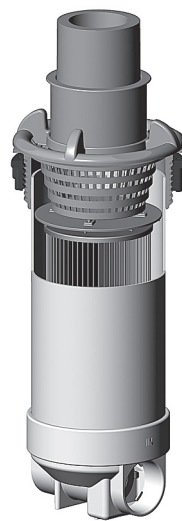
**FEATURES:**

- Improved exclusive vent system for added safety
- Exclusive bayonet lock retains the basket and weir
- PVC upper threaded, middle and bottom body components are compatible with PVC glues and most silicones
- New compact sizes
- Traditional 4-scallop escutcheons to match the decor of the spa
- Telescoping weir has 6" of travel
- Built-in restriction valve for improved filtration with low volume
- Two basket sizes
- Dyna-Flo replacement parts fit all existing Dyna-Flo Top-Mount Filters
- Retrofits Dynamic Series Rainbow Skim Filters

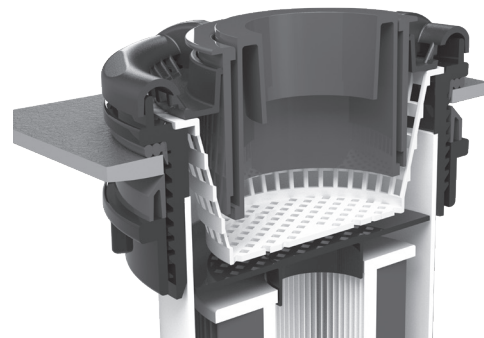
# Load Washer Technology



**Low Volume**  
8 GPM Minimum



**Hi Volume**  
15 GPM Minimum



For replacement parts, see page 242

Skimmers / Filters

### Dyna-Flo Top-Mount Skim Filters

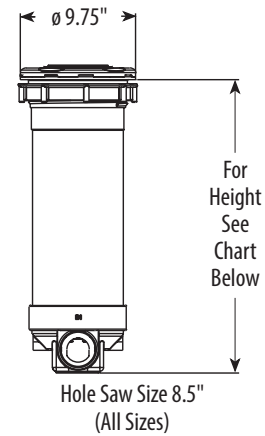
Part No.	Description	Dimensions	Case Quantity
<b>510-352X</b>	25SF Dyna-Flo Low Volume Filter; 8 GPM Minimum	19 5/8"	4
<b>510-354X</b>	35SF Dyna-Flo Low Volume Filter; 8 GPM Minimum	15 3/4"	4
<b>510-355X</b>	50SF Dyna-Flo Low Volume Filter; 8 GPM Minimum	19 5/8"	4
<b>510-652X</b>	25SF Dyna-Flo Hi Volume Filter; 8 GPM Minimum	19 5/8"	4
<b>510-654X</b>	35SF Dyna-Flo Hi Volume Filter; 8 GPM Minimum	15 3/4"	4
<b>510-655X</b>	50SF Dyna-Flo Hi Volume Filter; 8 GPM Minimum	19 5/8"	4



## Spa Skimmers and Filters / Dyna-Flo XL Skim Filters and Ultra Skim Filter

### FEATURES:

- Extra-large 10" diameter body for improved filtration
- Extra-large 6 1/2" diameter cartridge for larger cartridge sizes
- Exclusive "Vent System" for added safety
- PVC upper, middle and bottom sections are compatible with PVC glues and most silicones
- Available in 50, 75 and 100 sq. ft.
- Adjustable restrictor valve for variable flow control
- Extra-large basket
- Removable bypass valve for easy servicing
- Optional chemical feeder
- Available in 2" or 2 1/2" Socket In/Out



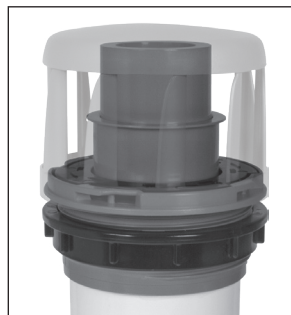
For replacement parts, see page 243.

### Dyna-Flo XL Skim Filters

Part No.	Description	Filter Size	Case Quantity
<b>512-027X</b>	75SF XL Dyna-Flo Filter, 2" Slip	21 3/4"	1
<b>512-021X</b>	100SF Dyna-Flo Filter, 2" Slip	26 1/4"	1
<b>512-255X</b>	50SF XL Dyna-Flo Filter, 2-1/2" Slip	21 3/4"	1
<b>512-257X</b>	75SF XL Dyna-Flo Filter, 2-1/2" Slip	21 3/4"	1
<b>512-251X</b>	100SF XL Dyna-Flo Filter, 2-1/2" Slip	26 1/4"	1

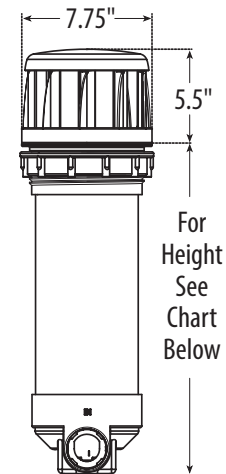
### FEATURES:

- Skims water without the use of a weir
- No moving parts
- Uses the same size hole pattern as our standard Dyna-Flo
- Allows for a larger variance of water levels



514-6589-DSG

With turbine and weir

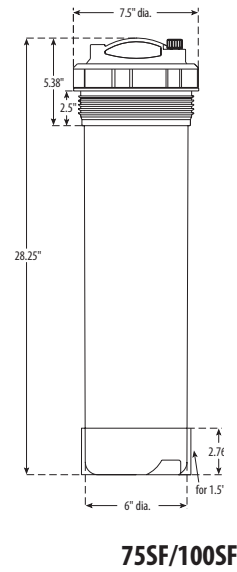
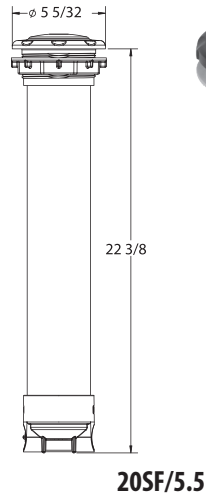
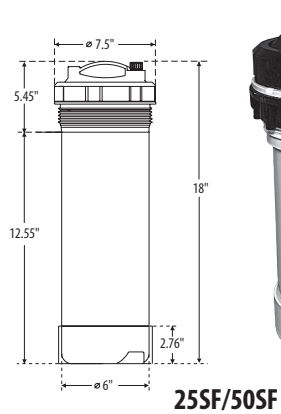


Hole Saw Size 6.875"

For replacement parts, see page 244.

### Ultra Skim Filter

Part No.	Description	Color	Case Quantity
<b>514-6559-DSG</b>	50SF Ultra Skim Filter Assembly; 2" In/Out; Includes Turbine, Basket and Cartridge	DSG	4
<b>514-6589-DSG</b>	50SF Ultra Skim Filter Assembly; 2" In/Out; Includes Turbine, Weir, Basket and Cartridge	DSG	4



### 5.5" Top-Load Filters

Part No.	Description	Color	Case Quantity
<b>510-3601</b>	20SF 5.5" Top Load Filter with Bypass Valve	Black	4

### 7.5" Top-Load Filters

Part No.	Description	Color	Case Quantity
<b>502-2510</b>	25SF Pressure Filter with 2" In/Out and Bypass Valve	Black	4
<b>502-2550</b>	25SF Pressure Filter with 2" In/Out, Bypass Valve & 10-Tablet Brominator	Black	4
<b>502-5010</b>	50SF Pressure Filter with 2" In/Out and Bypass Valve	Black	4
<b>502-5050</b>	50SF Pressure Filter with 2" In/Out, Bypass Valve & 10-Tablet Brominator	Black	4
<b>502-7510</b>	75SF Pressure Filter with 2" In/Out and Bypass Valve	Black	2
<b>502-9910</b>	100SF Pressure Filter with 2" In/Out and Bypass Valve	Black	2

### Replacement Parts and Accessories

Part No.	Description	Color	Case Quantity
<b>500-1021</b>	Filter Niche with 2-Cup Holder Lid and Screws	Black	6
<b>500-1098</b>	10 Tablet Brominator Assembly	Clear	1
<b>550-5100</b>	Pressure Filter Lid with Plug & O-Rings	Black	15
<b>715-1001</b>	Air Relief Plug	Black	1



## Spa Skimmers and Filters / Soak Tank/ Skimmer and Skim Filter Options



817-2500



817-7500



Skim Filter Replacement Cartridge



Cartridge Soak Tank

### Replacement Cartridges for In-Line and Top-Load Filters

Part No.	Description	Dimensions	Case Quantity
<b>817-2500</b>	Cartridge - 25 sq. ft.	4 15/16" OD x 13 5/16" L	--
<b>817-5000</b>	Cartridge - 50 sq. ft.	4 15/16" OD x 13 5/16" L	16
<b>817-7500</b>	Cartridge - 75 sq. ft.	4 15/16" OD x 23 5/8" L	--
<b>817-1000</b>	Cartridge - 100 sq. ft.	4 15/16" OD x 23 5/8" L	16

### Skim Filter Replacement Cartridges

Part No.	Size	Dimensions	Top Load	Front Access	Case Quantity
<b>817-0010</b>	10 sq. ft.	4 1/4" outer diameter x 4" L		X	75
<b>817-3501</b>	35 sq. ft.	4 15/16" outer diameter x 9 1/4" L (1 piece)		X	16
<b>817-3510</b>	35 sq. ft.	4 15/16" outer diameter x 4 5/8" L (2 pieces)		X	24
<b>817-0050</b>	50 sq. ft.	6" outer diameter x 8 1/4" L		X	12
<b>817-0011</b>	50 sq. ft.	6" outer diameter x 8 1/4" L (2 pieces upper)		X	--
<b>817-0012</b>	50 sq. ft.	6" outer diameter x 8 1/4" L (2 pieces lower)		X	--
<b>817-2500</b>	25 sq. ft.	5" outer diameter x 13 1/4" L	X		--
<b>817-5000</b>	50 sq. ft.	5" outer diameter x 13 1/4" L (1 piece)	X		16
<b>817-0015</b>	75 sq. ft.	5 5/16" outer diameter x 14 13/16" L	X		16
<b>817-7500</b>	75 sq. ft.	5" outer diameter x 23 5/8" L (2 pieces)	X		--
<b>817-1000</b>	100 sq. ft.	5" outer diameter x 23 5/8" L	X		16

### Cartridge Soak Tank

Part No.	Description	Case Quantity
<b>550-0030</b>	Soak Tank, 35 Sq. Ft. 9.75" Assy.	--
<b>550-0050</b>	Soak Tank, 50 Sq. Ft. 13.75" Assy.	--
<b>550-0060</b>	Soak Tank, 100 Sq. Ft. 21.75" Assy.	--
<b>550-0070</b>	Soak Tank, 175 Sq. Ft. 30.50" Assy.	--



400-9140



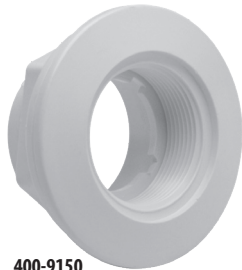
640-3170



400-9030



400-9120



400-9150



400-8970

### Filter Fittings

Part No.	Description	Color	Case Quantity
400-9030	Cartridge Mounting Assembly; 2" Slip X 1 1/2" Acme with Grate, Nut & Gasket	White	50
400-9120	Cartridge Mounting Assembly; 1 1/2" NPT with Nut & Gasket	White	75
400-9130	Cartridge Mounting Assembly; 2" NPT with Nut & Gasket	White	50
400-9140	Cartridge Mounting Assembly; 1 1/2" NPT with Grate	White	75
400-9150	Return Wall fitting Assembly; 1 1/2" FTP X 1 1/2" Slip with Nut & Gasket	White	50
640-3170	Suction Wall fitting Assembly with Bypass Valve	White	40
670-2009-DSG	Water Nozzle Wall fitting Assembly; with Nut & Gasket	DSG	200
400-8970	Load Washer Cartridge Mounting Assembly 2" Slip X 1 1/2" Acme with Load Washer, EPDM Gasket and Nut	White	50



## Spa Skimmers and Filters / Standard & SGMS Return Fittings/Weirs



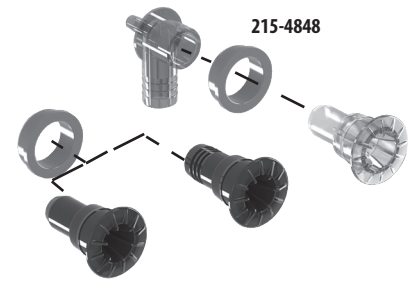
212-1820



212-1831



670-2007



215-4839-DSG

215-4848

### Standard & SGMS Return Fittings

Part No.	Description	Color	Case Quantity
<b>212-1810</b>	Smooth Ozone Return Fitting; 1/2" Slip with Nut & Gasket	White	150
<b>212-1829-DSG</b>	Smooth Ozone Return Fitting; 3/4" RB with Nut & Gasket	DSG	150
<b>212-1839-DSG</b>	Threaded Ozone Return Fitting 3/4" RB with Nut	DSG	150
<b>215-4829-DSG</b>	SGMS Ozone Return Fitting 3/4" SB	DSG	
<b>215-4839-DSG</b>	SGMS Ozone Return Fitting 3/4" RB	DSG	
<b>215-4848</b>	SGMS Ozone Return Fitting 3/4" SB	Clear	
<b>806-2200-EP</b>	SGMS EPDM Grommet for Ozone Return Fitting	Gray	2000

Skimmers / Filters



550-6109



680-2001



550-7767



550-6119



550-5617



550-0127



550-0411B

### Weirs

Part No.	Description	Color	Case Quantity
<b>680-200X</b>	Custom Weir Assembly; 13 1/8" H X 23 1/4" W (Customizable with Qty Orders)		1
<b>550-7769-DSG</b>	Skimmer Frame & Weir Assembly	DSG	1
<b>550-5619G-DSG</b>	Curved Weir Assembly; 13" H X 20 3/4" W with Hinge Mount & Gasket	DSG	10
<b>550-0129-DSG</b>	Tiered Weir Assembly	DSG	8
<b>550-6109-DSG</b>	Small Weir Assembly; 13 1/8" H X 20 3/4" W	DSG	12
<b>550-6119-DSG</b>	Large Weir Assembly; 13 1/2" H X 21 1/8" W	DSG	1
<b>550-0411B</b>	Weir Mounting Kit	N/A	100



# POWER Defender

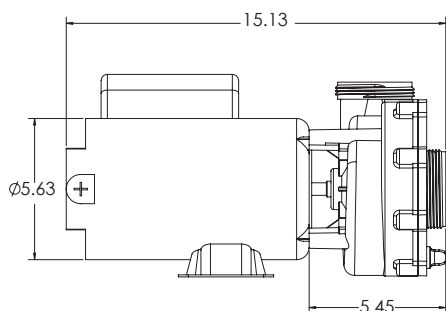
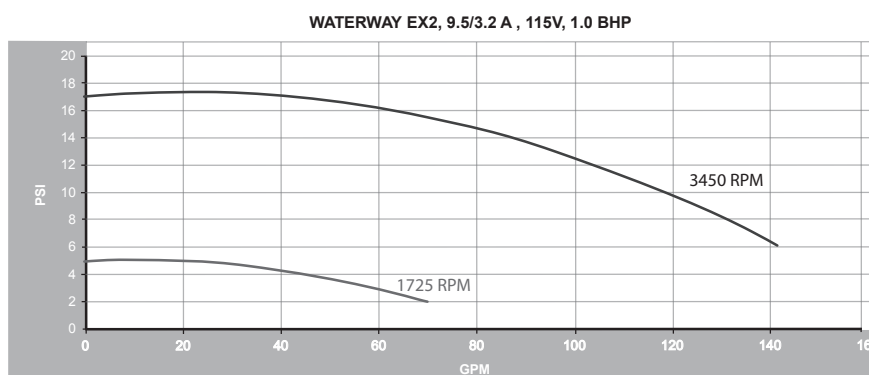
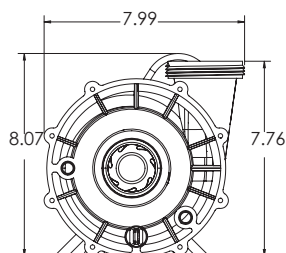
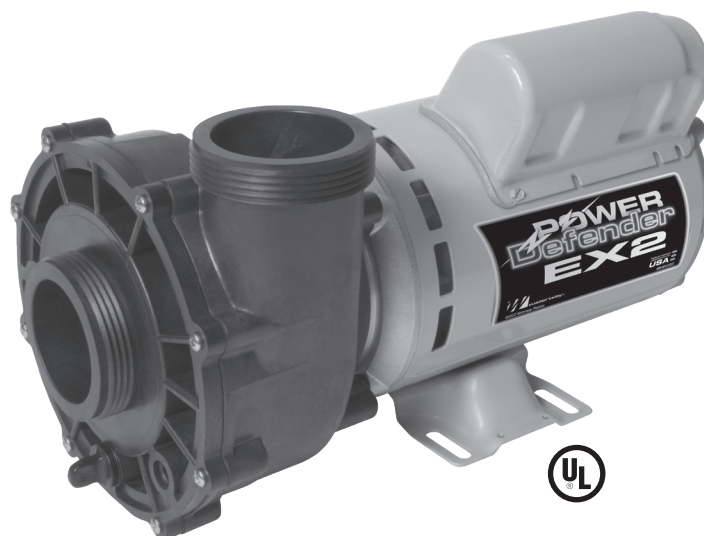
## PowerDefender EX2

### 2 SPEED PUMP

*Better performance with outstanding durability.*

#### FEATURES:

- High performance two speed pump design
- 1.5 horsepower special (1.0 true break HP), 9.5 Amps, 115 VAC
- Proven EX2 wet end
- Silicone carbide seals, Viton bellows, 316SS casing corrosion resistance against chlorine, bromine & salt
- Direct replacement for Aqua-Flo XP2 pumps
- Super quiet, cool running system
- Ultra-durable construction
- Eliminates the need for a separate circulation pump and associated plumbing
- Easy to install and maintain



#### Power Defender EX2 2 Speed

Part No.	Description	HP	Volts	Total Amps	Hz	Weight (lbs.)
PD-110X	Power Defender EX2 2-Speed	1.5 HP SPL	115	9.5/3.2	60	26

Call for available cords and plugs.

# Spa Pumps / Viper - 56-Frame



## FEATURES:

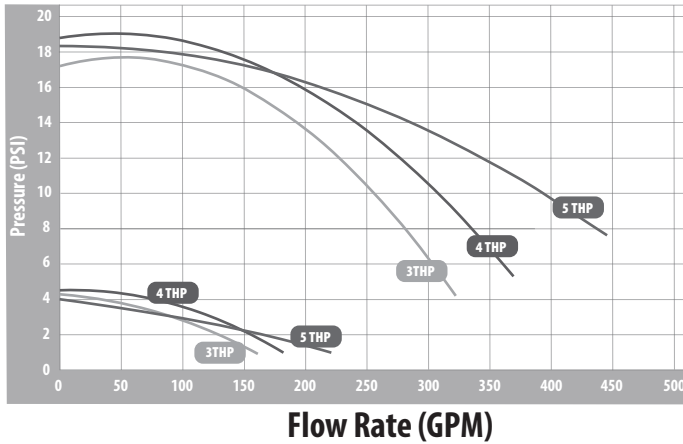
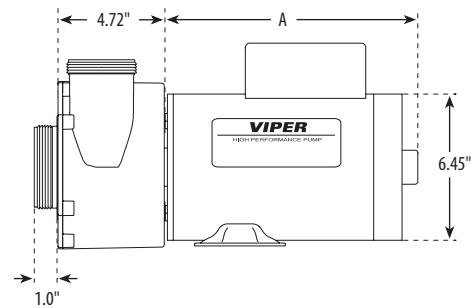
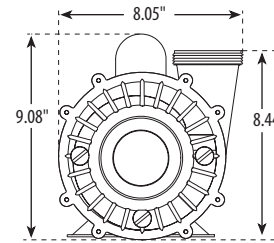
- Designed for low pressure, high volume systems
- Viper wet end designed specifically for 56-frame motors
- Large 8" diameter wet end allows for more volume
- Large 2 1/2" intake for improved flow performance and reduced noise
- Highly versatile wet end can be rotated every 90°
- 56-frame motor for added strength, cooler operating temperature and longer motor life
- Two double shielded ball bearings with moisture resistant grease for quieter operation and longer life
- Thermally protected to extend life expectancy of motor
- Silicone carbide seals, Viton bellows, 316SS casing, corrosion resistance against chlorine, bromine & salt



For 2-speed models only

For replacement parts, see page 216.

Call for available cords and plugs.



Spa Pumps

## 1-Speed Viper 56-Frame Pumps

Part No.	Description	HP	Volts	Amps	Hz	Dimension "A"	Weight (lbs.)
<b>3711621-1V</b>	2 1/2" Intake - 2 1/2" Discharge	4	230	12	60	11"	41
<b>3712021-1V</b>	2 1/2" Intake - 2 1/2" Discharge	5	230	16.4	60	11"	--

## 2-Speed Viper 56-Frame Pumps

Part No.	Description	HP	Volts	Amps High Speed	Amps Low Speed	Hz	Dimension "A"	Weight (lbs.)
<b>3721621-1V</b>	2 1/2" Intake - 2 1/2" Discharge	4	230	12	4.4	60	11"	44
<b>3722021-1V</b>	2 1/2" Intake - 2 1/2" Discharge	5	230	16.4	4.8	60	11"	47

**Note:** 0V for bulk orders.

Pumps and replacement motors that are single speed and one (1) total HP or greater cannot be sold, offered for sale, or installed in a residential pool for filtration use in California, Title 20 CCR sections 1601-1609.



**EXECUTIVE WET END FEATURES:**

- High performance Executive wet end specifically designed for 56-frame motors
- Large 2" intake for improved flow performance and noise reduction
- Large 6" diameter wet end for higher head pressure
- Highly versatile wet end can be rotated every 90°

**VIPER WET END FEATURES:**

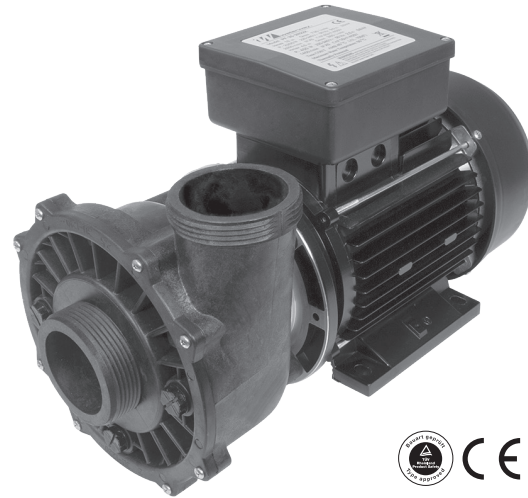
- Ultra high performance Viper wet end specifically designed for 56-frame motors
- Extra large 2 ½" intake for improved flow performance and noise reduction
- Large 8" diameter wet end to move higher volumes of water at lower pressures
- Highly versatile wet end can be rotated every 90°

**MOTOR FEATURES:**

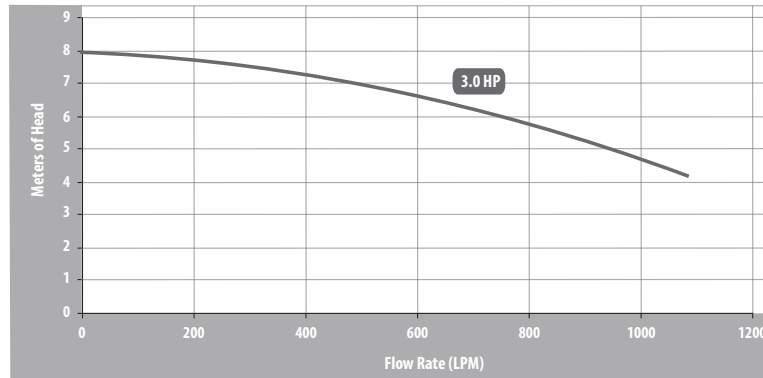
- 56-frame motor for added strength, cooler operating temperature and longer motor life
- Two double shielded ball bearings with moisture resistant grease for quieter operation and longer life
- Two-speed motors have four sets of insulated windings for high performance
- Split capacitor, (start and run) for less energy consumption
- Thermally protected to extend life expectancy of motor
- IPX5 construction

**PUMP FEATURES:**

- TUV listed
- Silicone carbide seals, Viton bellows, 316SS casing



**PRESSURE VERSUS FLOW RATE - VIPER EURO PERFORMANCE CHART**



Spa Pumps

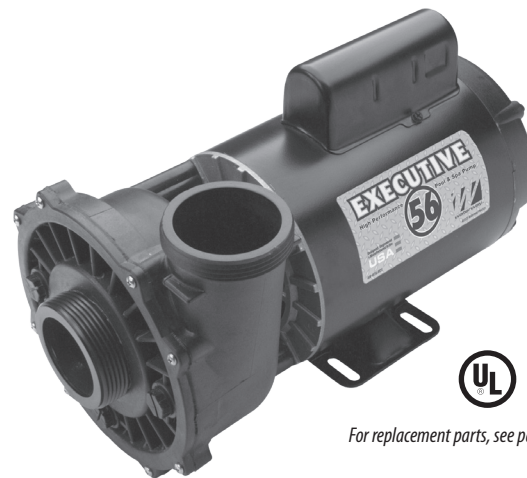
**Executive Euro 50 Hz Pumps**

Part No.	Description	HP	Speed	Hz	Volts	Amps
<b>3R11250-0D</b>	Executive Euro Pump	3 HP	1-Speed	50	230	12.7
<b>3R20850-0D</b>	Executive Euro Pump	2 HP	2-Speed	50	230	9.3/1.8
<b>3R21050-0D</b>	Executive Euro Pump	2 ½ HP	2-Speed	50	230	10.3/1.8

**Viper Euro 50 Hz Pumps**

Part No.	Description	HP	Speed	Hz	Volts	Amps
<b>3R11250-0V</b>	Viper Euro Pump	3 HP	1-Speed	50	230	12.3/12.8
<b>3R21050-0V</b>	Viper Euro Pump	2 ½ HP	2-Speed	50	230	11.4

Pumps and replacement motors that are single speed and one (1) total HP or greater cannot be sold, offered for sale, or installed in a residential pool for filtration use in California, Title 20 CCR sections 1601-1609.

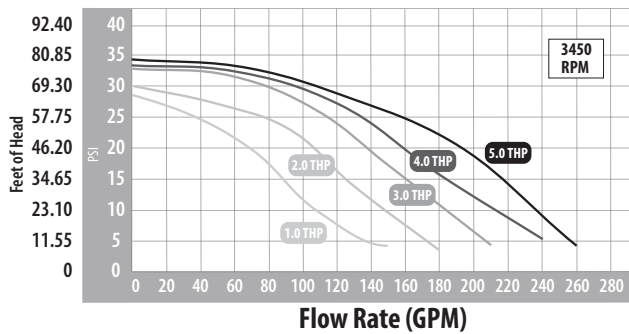
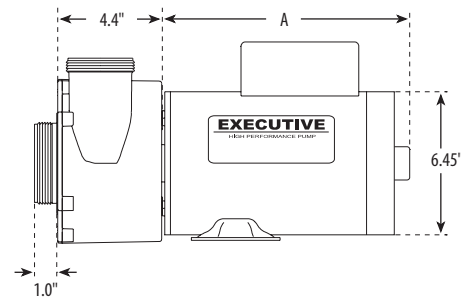
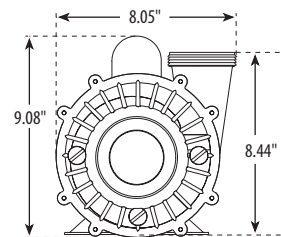


For replacement parts, see page 214

**FEATURES:**

- Executive wet end designed specifically for 56-frame motors
- Large 2 1/2" intake for improved flow performance and reduced noise
- Large 6 1/2" diameter wet end for higher head pressure
- Split capacitor, (start and run) for less energy consumption
- Thermally protected to extend life expectancy of motor
- Highly versatile wet end can be rotated every 90°
- Silicone carbide seals, Viton bellows, 316SS casing, corrosion resistance against chlorine, bromine & salt
- CE and TUV certification on export pumps to ensure product for you and your customers

Call for available cords and plugs.



**1-Speed Executive 56-Frame Pumps**

Part No.	Description	HP	Volts	Amps	Hz	Dimension "A"	Weight (lbs.)
3710821-1D	2" Intake - 2" Discharge	2	230	8.0	60	8.875"	34
3710821-13	2 1/2" Intake - 2" Discharge	2	230	8.0	60	8.875"	34
3711221-1D	2" Intake - 2" Discharge	3	230	10.0	60	9.875"	34
3711221-13	2 1/2" Intake - 2" Discharge	3	230	10.0	60	9.875"	34
3711621-1D	2" Intake - 2" Discharge	4	230	12.0	60	10.375"	41
3711621-13	2 1/2" Intake - 2" Discharge	4	230	12.0	60	10.375"	40
3712021-1D	2" Intake - 2" Discharge	5	230	16.4	60	10.375"	45
3712021-13	2 1/2" Intake - 2" Discharge	5	230	16.4	60	10.375"	45

**2-Speed Executive 56-Frame Pumps**

Part No.	Description	HP	Volts	Amps High Speed	Amps Low Speed	Hz	Dimension "A"	Weight (lbs.)
3720821-1D	2" Intake - 2" Discharge	2	230	8.0	3.0	60	8.875"	34
3720821-13	2 1/2" Intake - 2" Discharge	2	230	8.0	3.0	60	8.875"	34
3721221-1D	2" Intake - 2" Discharge	3	230	10.0	3.4	60	9.875"	37
3721221-13	2 1/2" Intake - 2" Discharge	3	230	10.0	3.4	60	9.875"	37
3721621-1D	2" Intake - 2" Discharge	4	230	12.0	4.4	60	10.375"	44
3721621-13	2 1/2" Intake - 2" Discharge	4	230	12.0	4.4	60	10.375"	44
3722021-1D	2" Intake - 2" Discharge	5	230	16.4	4.8	60	10.375"	47
3722021-13	2 1/2" Intake - 2" Discharge	5	230	16.4	4.8	60	10.375"	46

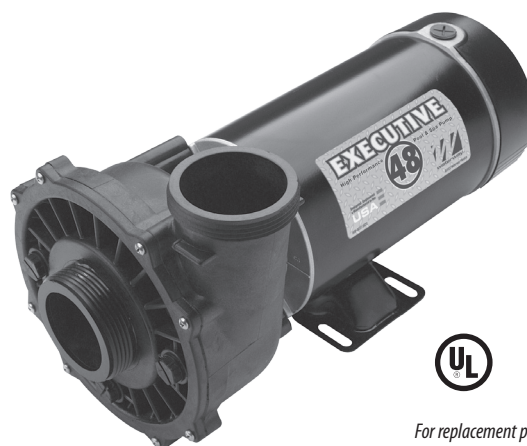
Pumps and replacement motors that are single speed and one (1) total HP or greater cannot be sold, offered for sale, or installed in a residential pool for filtration use in California, Title 20 CCR sections 1601-1609.

# EXECUTIVE 48

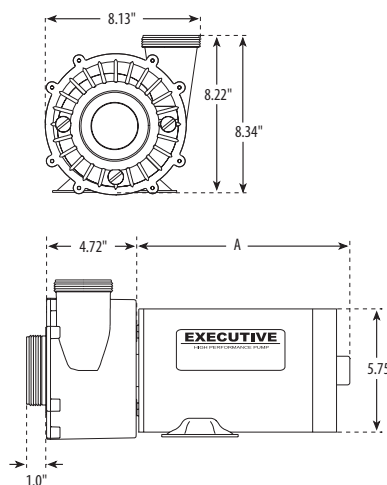
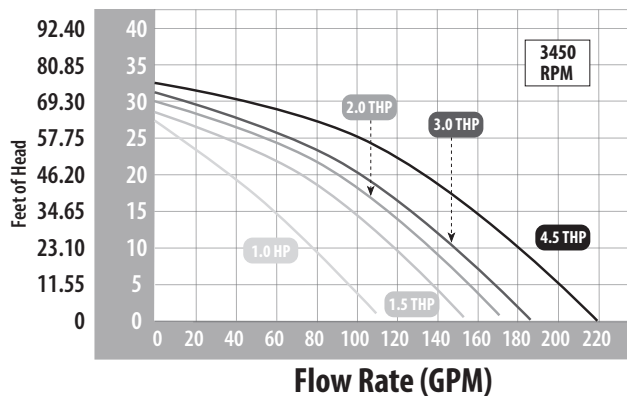
**FEATURES:**

- Executive wet end designed specifically for 48-frame motors
- Large 6 1/2" diameter wet end for higher head pressure and energy efficiency
- Thermally protected to extend life expectancy of motor
- Highly versatile wet end can be rotated every 90°
- Silicone carbide seals, Viton bellows, 316SS casing, corrosion resistance against chlorine, bromine & salt

Call for available cords and plugs.



For replacement parts, see page 214



### 1-Speed Executive 48-Frame Pumps

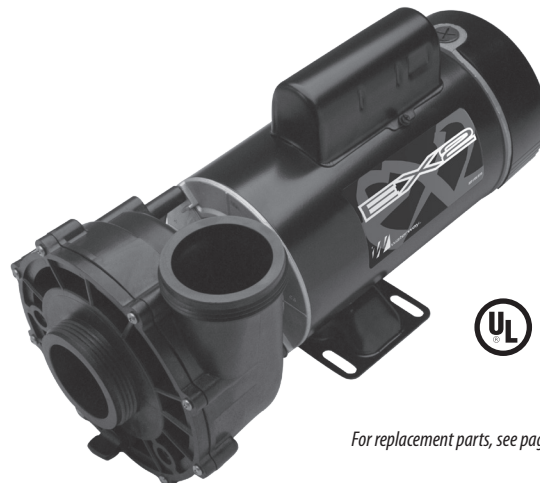
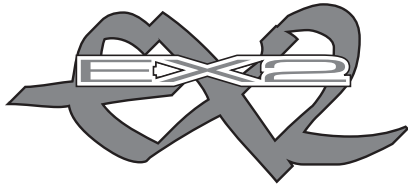
Part No.	Description	HP	Volts	Amps	Hz	Dimension "A"	Weight (lbs.)
<b>3411621-1A</b>	2" Intake - 2" Discharge	4.0	230	12	60	11.18"	36

### 2-Speed Executive 48-Frame Pumps

Part No.	Description	HP	Volts	Amps High Speed	Amps Low Speed	Hz	Dimension "A"	Weight (lbs.)
<b>3420620-1A</b>	2" Intake - 2" Discharge	1.5	230	8.0	2.6	60	10.45"	30
<b>3420820-1A</b>	2" Intake - 2" Discharge	2.0	230	10.5	2.6	60	11.0"	33
<b>3421221-1A</b>	2" Intake - 2" Discharge	3.0	230	8.5	2.8	60	11.0"	36
<b>3421821-1A</b>	2" Intake - 2" Discharge	4.5	230	12.0	3.5	60	11.98"	37

Pumps and replacement motors that are single speed and one (1) total HP or greater cannot be sold, offered for sale, or installed in a residential pool for filtration use in California, Title 20 CCR sections 1601-1609.

Spa Pumps

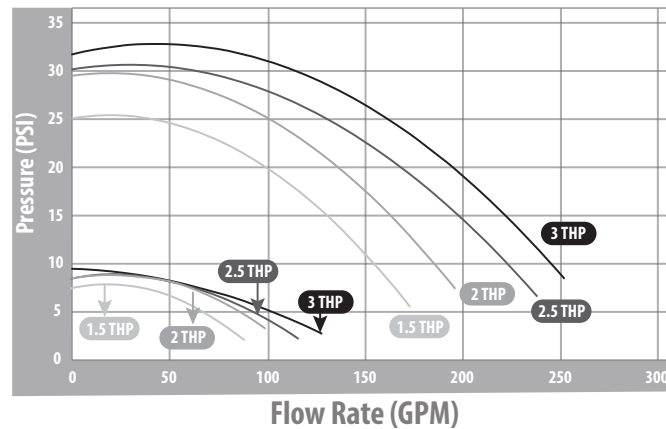


For replacement parts, see page 215.

**FEATURES:**

- True continuous rated horsepower of 1.5, 2.0, 2.5 and 3.0 HP
- 48-Frame or 56-Frame, Single or Dual Speed (energy saving)
- Same physical size as Aqua-Flo XP2, XP2e (fits within the same volume envelope)
- Made in USA from highest quality materials with UL and CUL certifications
- Silicone carbide seals, Viton bellows, 316SS casing, corrosion resistance against chlorine, bromine & salt
- Equipped with high performance electrical motors, custom designed for Spa applications

Call for available cords and plugs.



**1-Speed EX 2 48-Frame Pumps**

Part No.	Description	HP - Full	Volts	Amps	Hz	Weight (lbs.)
<b>3411020-1U</b>	2" Intake - 2" Discharge	2.5	230	10.0	60	34
<b>3411621-1U</b>	2" Intake - 2" Discharge	3.0	230	12.0	60	35

**2-Speed EX 2 48-Frame Pumps**

Part No.	Description	HP - Full	Volts	Amps High Speed	Amps Low Speed	Hz	Weight (lbs.)
<b>3421020-1U</b>	2" Intake - 2" Discharge	2.5	230	11.0	3.3	60	36
<b>3421821-1U</b>	2" Intake - 2" Discharge	3	230	12.0	3.5	60	37

**1-Speed EX 2 56-Frame Pumps**

Part No.	Description	HP - Full	Volts	Amps	Hz	Weight (lbs.)
<b>3711621-1W</b>	2" Intake - 2" Discharge	3.0	230	12.0	60	41

**2-Speed EX 2 56-Frame Pumps**

Part No.	Description	HP - Full	Volts	Amps High Speed	Amps Low Speed	Hz	Weight (lbs.)
<b>3720821-1W</b>	2" Intake - 2" Discharge	2	230	8.0	3.0	60	34
<b>3721621-1W</b>	2" Intake - 2" Discharge	3.0	230	12.0	4.4	60	47
<b>3M21621-1W</b>	2" Intake - 2" Discharge	3.0	230	12.0	4.4	60	44

Pumps and replacement motors that are single speed and one (1) total HP or greater cannot be sold, offered for sale, or installed in a residential pool for filtration use in California, Title 20 CCR sections 1601-1609.



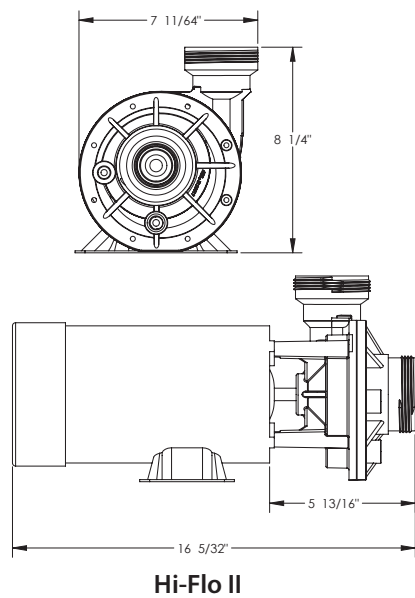


**FEATURES:**

- High volume side discharge performance
- 60% higher performing than our center discharge pumps
- 2" intake and discharge
- Wet end can be rotated for easy installation
- Available in 1 to 4 HP, 1 or 2 speed
- Large 6 1/2" diameter wet end for higher head pressure
- Silicone carbide seals, Viton bellows, 316SS casing

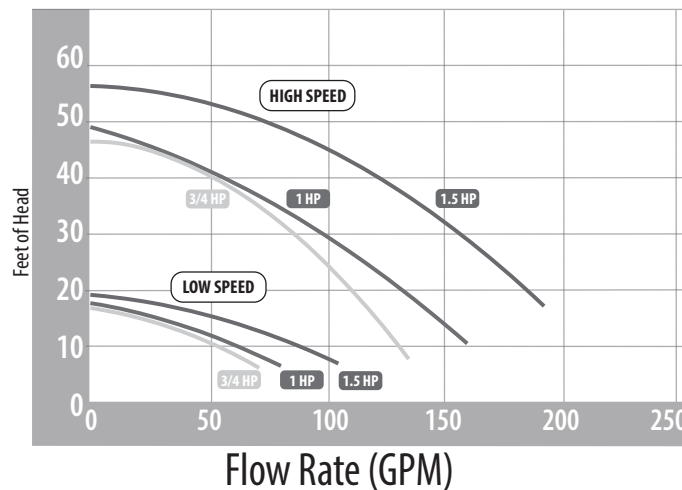


For replacement parts, see page 219



Hi-Flo II

Hi-Flo II Performance Curves



Spa Pumps

**1-Speed Hi-Flo II Side Discharge 48-Frame Pumps**

Part No.	HP	Volts	Amps	Hz	Dimension "A"
<b>3410410-10</b>	1.0	115	12.0	60	14.23"
<b>3410612-10</b>	1.5	115	17.0	60	14.78"
<b>3410830-10</b>	2.0	115/230	20-10	60	14.98"

**2-Speed Hi-Flo II Side Discharge 48-Frame Pumps**

Part No.	HP	Volts	Amps High Speed	Amps Low Speed	Hz	Dimension "A"
<b>3420410-10</b>	1.0	115	11.0	2.9	60	14.73"
<b>3420610-10</b>	1.5	115	16.4	4.4	60	15.48"
<b>3420620-10</b>	1.5	230	8.0	2.6	60	15.48"
<b>3420820-10</b>	2.0	230	8.4	3.6	60	16.00"

Pumps and replacement motors that are single speed and one (1) total HP or greater cannot be sold, offered for sale, or installed in a residential pool for filtration use in California, Title 20 CCR sections 1601-1609.

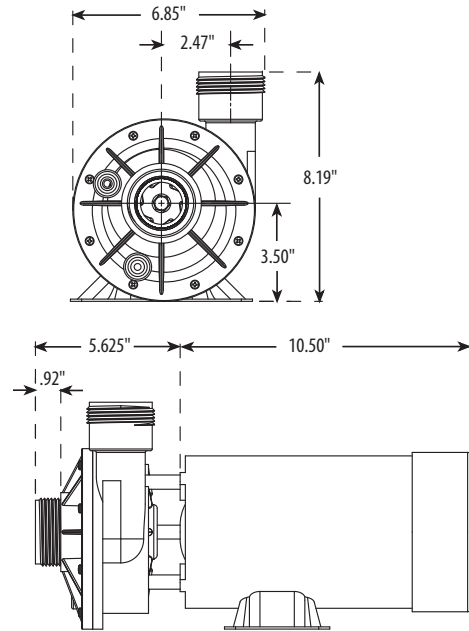
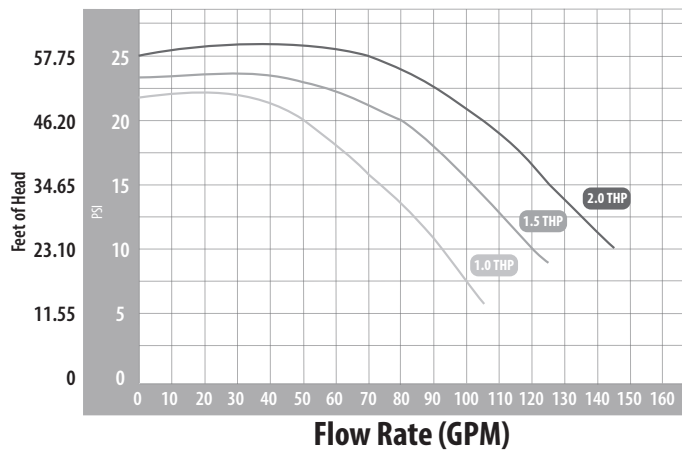
# SPA FLO II



**FEATURES:**

- 48-frame proven design
- Designed for direct replacement in most spas
- Silicone carbide seals, Viton bellows, 316SS casing, corrosion resistance against chlorine, bromine & salt
- Easy to install and service

For replacement parts, see page 218



Spa Pumps

### 1-Speed Spa Flo II 48-Frame Pumps

Part No.	HP	Volts	Hz	Case Quantity
<b>3410410-S0Z</b>	1	115	60	1
<b>3410610-S0Z</b>	1 ½	115	60	--
<b>3410830-S0Z</b>	2	115 / 230	60	1

Sold without cords. Please call for available cords.

### 2-Speed Spa Flo II 48-Frame Pumps

Part No.	HP	Volts	Hz	Case Quantity
<b>3420410-S0Z</b>	1	115	60	1
<b>3420610-S0Z</b>	1 ½	115	60	1
<b>3420820-S0Z</b>	2	230	60	1

Sold without cords. Please call for available cords.

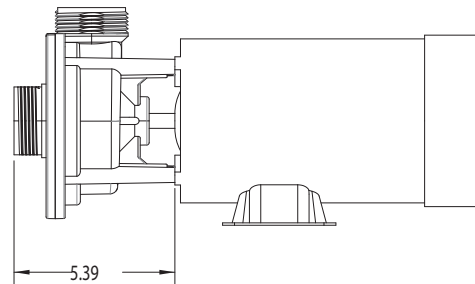
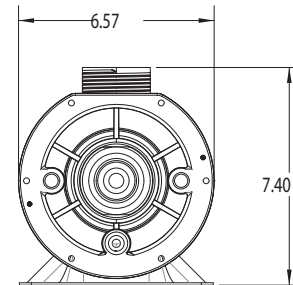
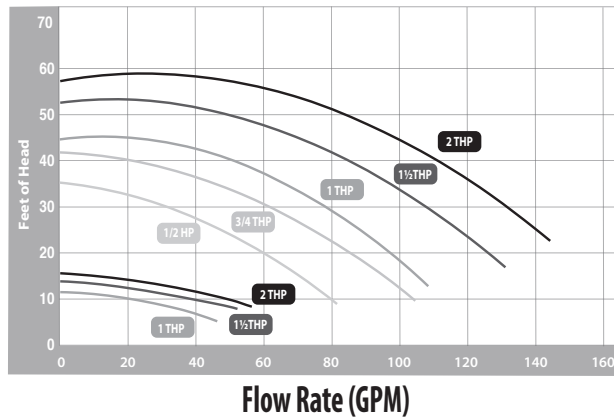
Pumps and replacement motors that are single speed and one (1) total HP or greater cannot be sold, offered for sale, or installed in a residential pool for filtration use in California, Title 20 CCR sections 1601-1609.



For replacement parts, see page 221

**FEATURES:**

- Reliable center discharge performance
- 1 ½" intake and discharge for reduced noise and energy efficiency
- Wet end can be rotated for easy installation
- Available in ¾ to 2 HP, 1 or 2 speed
- Silicone carbide seals, Viton bellows, 316SS casing, corrosion resistance against chlorine, bromine & salt



Spa Pumps

**1-Speed Center Discharge Spa Pumps**

Part No.	HP	Volts	Amps	Hz	Dimension "A"	Weight (lbs.)
3410310-15	¾	115	9.8	60	14.00"	19
3410410-15	1.0	115	12.0	60	14.50"	21
3410610-15	1.5	115	17.0	60	15.05"	26
3410830-15	2.0	115/230	20-10	60	16.26"	33

**2-Speed Center Discharge Spa Pumps**

Part No.	HP	Volts	Amps High Speed	Amps Low Speed	Hz	Dimension "A"	Weight (lbs.)
3420310-15	¾	115	8.8	2.6	60	15.00"	25
3420410-15	1.0	115	11.0	2.9	60	15.00"	26
3420610-15	1.5	115	16.4	4.4	60	15.75"	29
3420620-15	1.5	230	8.0	2.6	60	15.73"	29
3420820-15	2.0	230	10.5	2.6	60	16.28"	32

Pumps and replacement motors that are single speed and one (1) total HP or greater cannot be sold, offered for sale, or installed in a residential pool for filtration use in California, Title 20 CCR sections 1601-1609.

# IRON MIGHT™

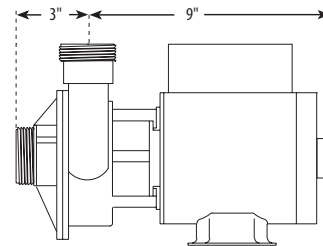
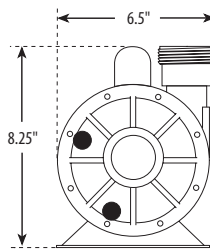
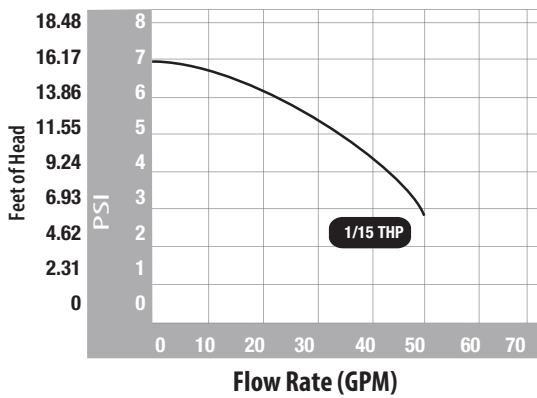
**NOW in  
50/60 Hz!**



**FEATURES:**

- 24-hour circulation
- 48-frame proven design
- Side discharge for optimum flow
- Silicone carbide seals, Viton bellows, 316SS casing, corrosion resistance against chlorine, bromine & salt

**PRESSURE VS FLOW RATE**



**Iron Might 1-Speed 48-Frame Circulating Pumps**

Part No.	Volts	Hz	Case Quantity	Weight (lbs.)
<b>3J10070-0E</b>	230	50/60	1	--
<b>3410030-1E</b>	115	60	1	14

**Leaf Trap (sold separately)**

Part No.	Description	Case Quantity	Weight (lbs.)
<b>310-5400</b>	Leaf Trap – 1 ½" Union x 1 ½" FPT	4	13



**Pond Pump - Iron Might with Trap**

Part No.	Description	Weight (lbs.)
<b>3410030-1E77</b>	½ HP - 115V - 6 ft. NEMA Cord	19

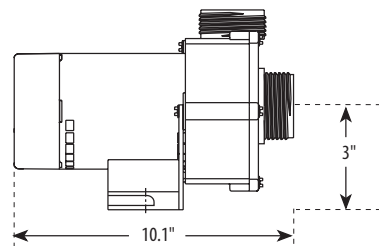
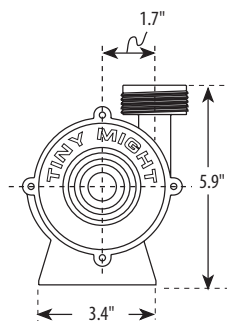
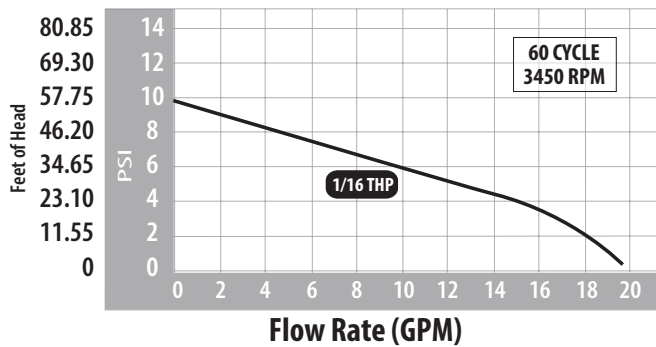
Pumps and replacement motors that are single speed and one (1) total HP or greater cannot be sold, offered for sale, or installed in a residential pool for filtration use in California, Title 20 CCR sections 1601-1609.

# TINY MIGHT



**FEATURES:**

- Larger, 303 stainless steel, 3/8" motor shaft improves impeller stack-up height.
- Larger motor bearings for longer motor life.
- Larger motor housing improves ventilation and keeps motor running cooler
- Designed for 24 hour circulation.
- Very quite and energy efficient (uses less power than a 100W light bulb).
- Silicone carbide seals, Viton bellows, 316SS casing, corrosion resistance against chlorine, bromine & salt



Spa Pumps

Tiny Might Circulating Pumps						
Part No.	Description	HP	Volts	Amps	Hz	Weight (lbs.)
3312610-14	1" Union x 1" Union	1/6	115	0.8	60	7
3312620-14	1" Union x 1" Union	1/6	230	0.4	50/60	7
3312610-19	1" Barb x 1" Barb	1/6	115	0.8	60	7
3312620-19	1" Barb x 1" Barb	1/6	230	0.4	50/60	7

Pumps and replacement motors that are single speed and one (1) total HP or greater cannot be sold, offered for sale, or installed in a residential pool for filtration use in California, Title 20 CCR sections 1601-1609.



**pre-2012  
PARTS**



310-0700

**Spa Flo Wet Ends**

Part No.	Rating	Case Quantity
<b>310-0700</b>	1 HP	1
<b>310-0800</b>	1 ½ HP	15
<b>310-0810</b>	2 HP	12

Silicone carbide seals,  
Viton bellows,  
316SS casing



310-0140

**2 ½" Viper Wet Ends**

Part No.	Motor	Rating	Case Quantity
<b>310-0140</b>	56-Frame	4 HP	8

**EX2 Wet Ends**

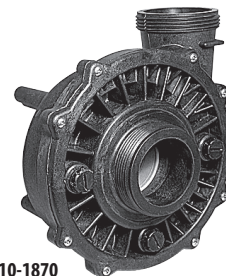
Part No.	Motor	Rating	Case Qty.	Part No.	Motor	Rating	Case Qty.
<b>310-2450</b>	48-Frame	1 ½ HP	8	<b>310-2360</b>	56-Frame	1 ½ HP	8
<b>310-2460</b>	48-Frame	2 HP	8	<b>310-2370</b>	56-Frame	2 HP	8
<b>310-2480</b>	48-Frame	3 HP	8	<b>310-2380</b>	56-Frame	3 HP	8
				<b>310-2390</b>	56-Frame	2 ½ HP	8



310-2360

**2" Executive Wet Ends**

Part No.	Motor	Rating	Case Qty.	Part No.	Motor	Rating	Case Qty.
<b>310-1870</b>	48-Frame	1 HP	8	<b>310-1710</b>	56-Frame	1 HP	8
<b>310-1880</b>	48-Frame	1 ½ HP	8	<b>310-1720</b>	56-Frame	2 HP	8
<b>310-1890</b>	48-Frame	2 HP	8	<b>310-1730</b>	56-Frame	3 HP	8
<b>310-1900</b>	48-Frame	3 HP	8	<b>310-1740</b>	56-Frame	4 HP	8
<b>310-1910</b>	48-Frame	4 HP	8	<b>310-1750</b>	56-Frame	5 HP	8
<b>310-1920</b>	48-Frame	4 ½ HP	8				
<b>310-1930</b>	48-Frame	5 HP	8				



310-1870

**Iron Might II Circulating Wet Ends**

Part No.	Rating	Case Qty.
<b>310-7820</b>	½ HP	12



310-7820

**2 ½" Executive Wet Ends**

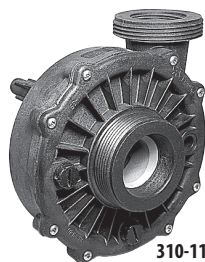
Part No.	Motor	Rating	Case Qty.
<b>310-1460</b>	56-Frame	1 HP	8
<b>310-1480</b>	56-Frame	2 HP	8
<b>310-1500</b>	56-Frame	3 HP	8
<b>310-1440</b>	56-Frame	4 HP	8
<b>310-1510</b>	56-Frame	5 HP	8



310-1800

**2" Hi-Flo Side Discharge Wet Ends**

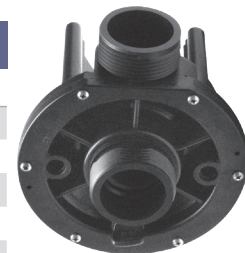
Part No.	Rating	Case Qty.
<b>310-1130SD</b>	1 HP	12
<b>310-1140SD</b>	1 ½ HP	12
<b>310-1141SD</b>	2 HP	12
<b>310-1150SD</b>	3 HP	12
<b>310-1160SD</b>	4 HP	12



310-1130SD

**E-Series Center Discharge Wet Ends**

Part No.	Rating	Case Qty.
<b>310-8200</b>	½ HP	12
<b>310-8210</b>	¾ HP	12
<b>310-8220</b>	1 HP	12
<b>310-8230</b>	1.5 HP	12
<b>310-8240</b>	2 HP	12



310-8210

Note: E-Series Center Discharge Wet Ends are the same size as the Standard Series Center Discharge Wet Ends. See Page 155 Series Center Discharge.



Silicone carbide seals,  
Viton bellows,  
316SS casing



310-7700SD

**2" Hi-Flo II Side Discharge Wet Ends**

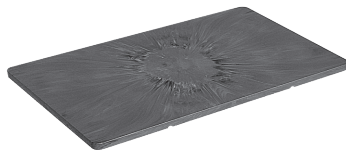
Part No.	Rating	Case Qty.
<b>310-7700SD</b>	½ HP	12
<b>310-7710SD</b>	¾ HP	12
<b>310-7720SD</b>	1 HP	12
<b>310-7730SD</b>	1 ½ HP	12
<b>310-7740SD</b>	2 HP	12



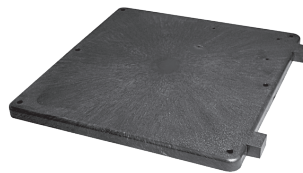
310-7800

**Spa Flo II Wet End**

Part No.	Rating	Case Qty.
<b>310-7800</b>	½ HP	12
<b>310-7810</b>	¾ HP	12
<b>310-7820</b>	1 HP	12
<b>310-7830</b>	1 ½ HP	12
<b>310-7840</b>	2 HP	12



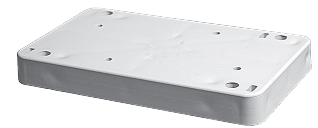
672-1000



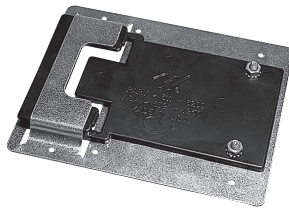
672-1010



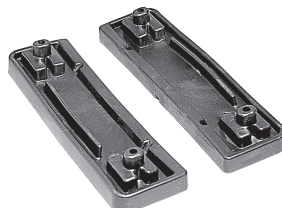
672-1060



672-1030



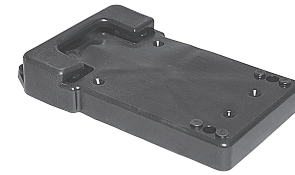
672-7250



672-1320



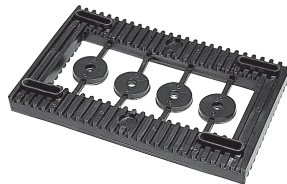
672-1780



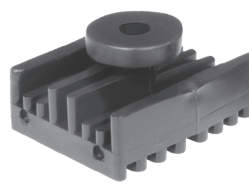
672-1100



672-1020



319-0019



672-1170

Anti-Vibration Pads  
(sold separately only  
for Waterway pumps)

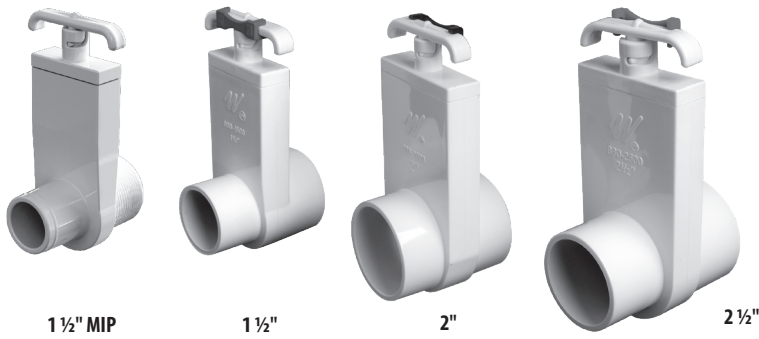
Wet Ends / Bases

**Bases**

Part No.	Description	Case Quantity
<b>672-1030</b>	½" Thick Base	170
<b>672-7250</b>	Metal Pump Base Assembly - 7 ½" x 5 ⁵⁄₁₆"	25
<b>672-1320</b>	Rubber EMG Euro Motor Base (sold as a pair)	80
<b>672-1100</b>	¾" Thick Base with Tabs - PVC Flex	100
<b>672-1020</b>	¾" Thick Base	170
<b>672-1080</b>	¾" Thick Base - PVC Flex	50
<b>319-0019</b>	Self-Aligning Rubber Motor Base	100
<b>672-1780</b>	Universal Floating 9" x 9" Pump Base Assembly	25
<b>672-1000</b>	Equipment Base - 1" x 15 ¼" x 26 ¼"	100
<b>672-1010</b>	Equipment Base - 1" x 14 ½" x 15"	200
<b>672-1060</b>	Equipment Base - 1" x 8 ½" x 15 ½"	16
<b>672-1170</b>	Anti-Vibration Pump Base Foot Pads	144



## Valves / Slice & Check Valves



1 1/2" MIP

1 1/2"

2"

2 1/2"



880-2599

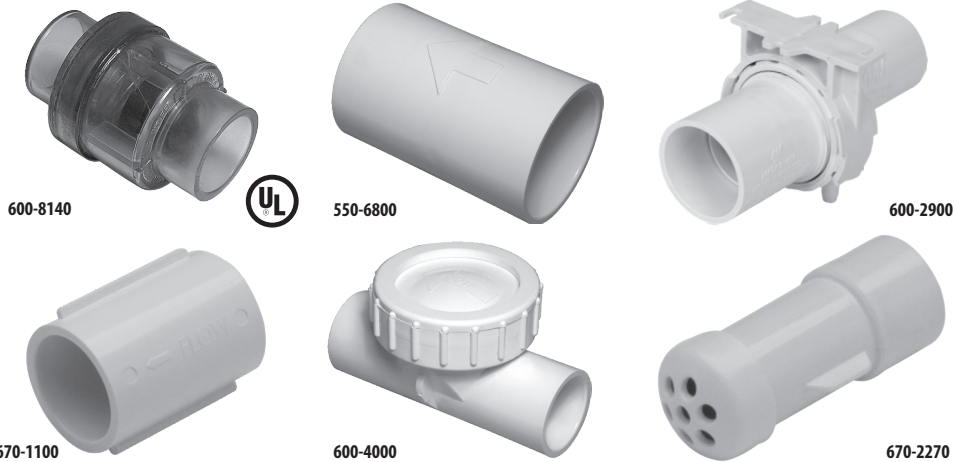
880-2099

880-1599

### Slice Valves

Part No.	Description	Case Quantity
880-1500	1 1/2" Slice Valve - 2" SPG / 1 1/2" S x 1 1/2" Spigot	30
880-1510	1 1/2" Slice Valve - 1 1/2" Spigot x 1 1/2" Spigot	30
880-1530	1 1/2" MIP Slice Valve - 1 1/2" Hose	30
880-2020	2" Slice Valve - 2" S x 2" S	48
880-2010	2" Slice Valve - 2" Spigot x 2" Spigot	48
880-2000	2" Slice Valve - 2" Spigot x 2" S	60
880-2500	2 1/2" Slice Valve - 2 1/2" S x 2 1/2" Spigot	24
880-2520	2 1/2" Slice Valve - 2 1/2" S x 2 1/2" S	32
880-1599	Clip for 1 1/2" Slice Valve	--
880-2099	Clip for 2" Slice Valve	--
880-2599	Clip for 2 1/2" Slice Valve	--

### Slice / Check Valves



600-8140



550-6800

600-2900

670-1100

600-4000

670-2270

### Check Valves

Part No.	Description	Case Quantity
600-8140	Air Check Valve - 1/4 lb. Spring - 1 1/2" S x 1 1/2" S	50
600-8160	Air Check Valve - 1/4 lb. Spring - 2" Spigot x 2" Spigot	50
600-8150	Water Bypass Valve - 8 lb. Spring - 1 1/2" S x 1 1/2" S (standard color is black)	50
550-6810	Flapper Check Valve Body - 1.25 - 2 lbs. Spring - 2" S x 2" S	72
550-6800	Flapper Check Valve Body - 2.5 - 8 lbs. Spring - 2" S x 2" S	72
600-4000	Flapper Check Valve - Tee - 1" S x 1" S (standard color is white)	80
600-5000	Check Valve Assembly - Tee - 1" S x 1" S	140
600-2900	1 1/2" Blower Check Valve Assy	45
670-1100	1" Check Valve with Flapper Assembly	200
670-2270	1/2" S NEOPERL Check Valve with Cap/Foam	125
670-2220	1/2" S Tee NEOPERL Check Valve with Cap/Foam	125



400-1940



400-1990

**1" Pump Union Assemblies**

Part No.	Description	Case Quantity
<b>400-1940</b>	1" Union Nut with 3/4" RB Tailpiece and O-Ring	25
<b>400-1990</b>	1" S Union Nut with 1" Slip Tailpiece and O-Ring	200



400-4060



400-2020



400-2010



400-4230



400-4240



400-9280

**1 1/2" Pump Union Assemblies**

Part No.	Description	Case Quantity
<b>400-4060</b>	1 1/2" Union Nut with 1 1/2" S Tailpiece and O-Ring	100
<b>400-5640</b>	1 1/2" Union Nut with 1 1/2" S Tailpiece with Gasket	100
<b>400-2020</b>	1 1/2" Union Nut with 1 1/2" Spigot / 1" S Tailpiece and O-Ring	80
<b>400-2010</b>	1 1/2" Union Nut with 50mm S Tailpiece and O-Ring	35
<b>400-4230</b>	1 1/2" Union Nut with 1 1/2" FPT Tailpiece and O-Ring	100
<b>400-4510</b>	1 1/2" Union Nut with 1 1/2" FPT Tailpiece and O-Ring with Gasket	200
<b>400-4240</b>	1 1/2" Union Nut with 1 1/2" Spigot Tailpiece and O-Ring	50
<b>400-9280</b>	1 1/2" Union Nut with 1 1/2" / 1 1/4" Hose Adapter and O-Ring	25

Unions



## Unions / Pump Union Assemblies



400-5570



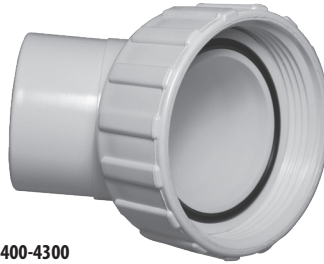
400-9240



400-5800



400-5660



400-4300



400-9230

### 2" Pump Union Assemblies

Part No.	Description	Case Quantity
400-5570	2" Union Nut with 2" S Tailpiece and O-Ring	45
400-5670	2" Union Nut with 2" S Tailpiece and O-Ring with Gasket	70
400-9240	2" Union Nut with 1 1/2" Hose Adapter and O-Ring	30
400-5800	2" Union Nut with 2" S Sweep Ell - 90° Tailpiece	40
400-5660	2" Union Nut with 1 1/2" FPT Nut Tailpiece and O-Ring	72
400-4300	2" Union Nut with 2" Spigot 45° Tailpiece and O-Ring	60
400-9230	2" Union Nut with 2" Spigot / 1 1/2" S Tailpiece and O-Ring	40
400-5680	2" Union Nut with 2" Spigot / 1 1/2" S Tailpiece and O-Ring with Gasket	70

Unions



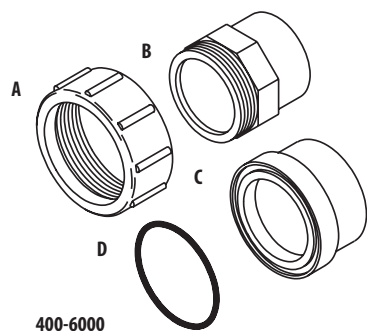
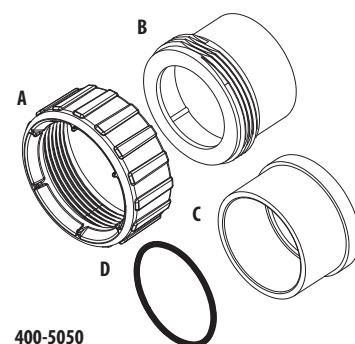
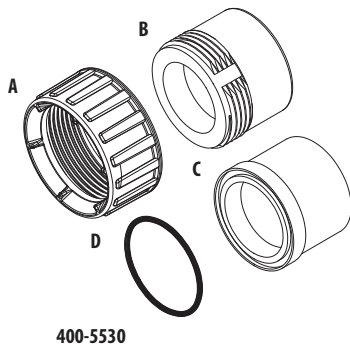
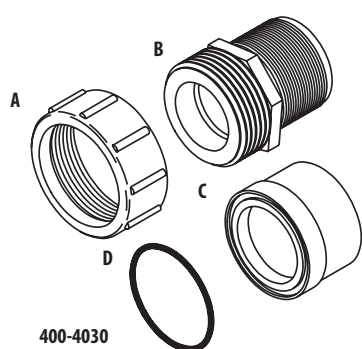
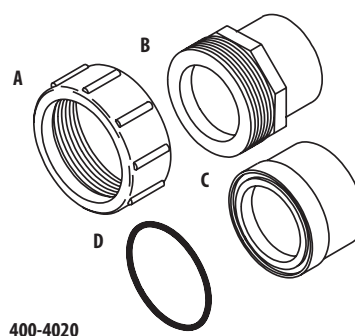
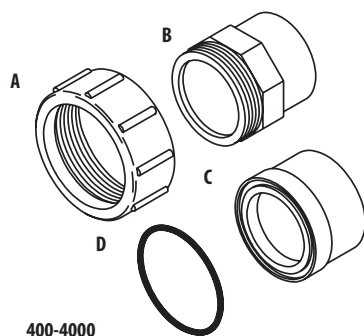
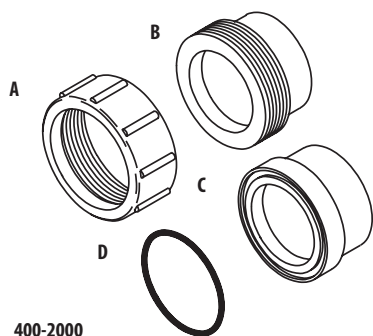
400-5990



400-6010

### 2 1/2" Pump Union Assemblies

Part No.	Description	Case Quantity
400-5990	2 1/2" Union Nut with 2" S Tailpiece and O-Ring	50
400-6010	2 1/2" Union Nut with 2 1/2" S Tailpiece and O-Ring	36
400-6021B	2 1/2" Union Nut x 2 1/2" S - Black (2 included with SVL56 pump)	36
400-5971B	2 1/2" Union Nut x 2" S - Black (2 included with SVL56 pump)	36



Unions

**Union Assemblies**

Part No.	Description	Part A	Part B	Part C	Part D	Case Quantity
<b>400-2000</b>	Union Assembly - 1" S x 1" S	415-2000	417-2010	417-2020	805-0123	60
<b>400-4000</b>	Union Assembly #1 - 1 1/2" S x 1 1/2" S	415-4000	417-4010	417-4000	805-0226	100
<b>400-4020</b>	Union Assembly #3 - 1 1/2" S x 1 1/2" Spigot	415-4000	417-4030	417-4000	805-0226	25
<b>400-4030</b>	Union Assembly - 1 1/2" MPT x 1 1/2" S	415-4000	417-4060	417-4000	805-0226	25
<b>400-5530</b>	Union Assembly - 2" Spigot / 1 1/2" S x 1 1/2" S	415-4000	417-4000	417-5080	805-0226	40
<b>400-5050</b>	Union Assembly #13 - 2" S x 2" S	415-5000	417-5040	417-5120	805-0229	25
<b>400-6000</b>	Union Assembly - 2 1/2" S x 2 1/2" S	415-6000	417-6010	417-6000	805-0232	36

Standard color is white. All fittings meet or exceed A.S.T.M. Schedule 40 standards.





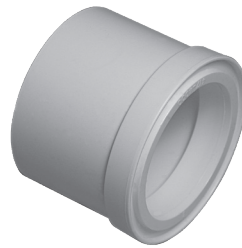
## Unions / 1 1/2" Union Components



415-4000



417-4070



417-4000



417-2000



417-4030



417-4060



417-4080



417-6040



417-4010



417-6020



417-5080



417-4110



711-4000



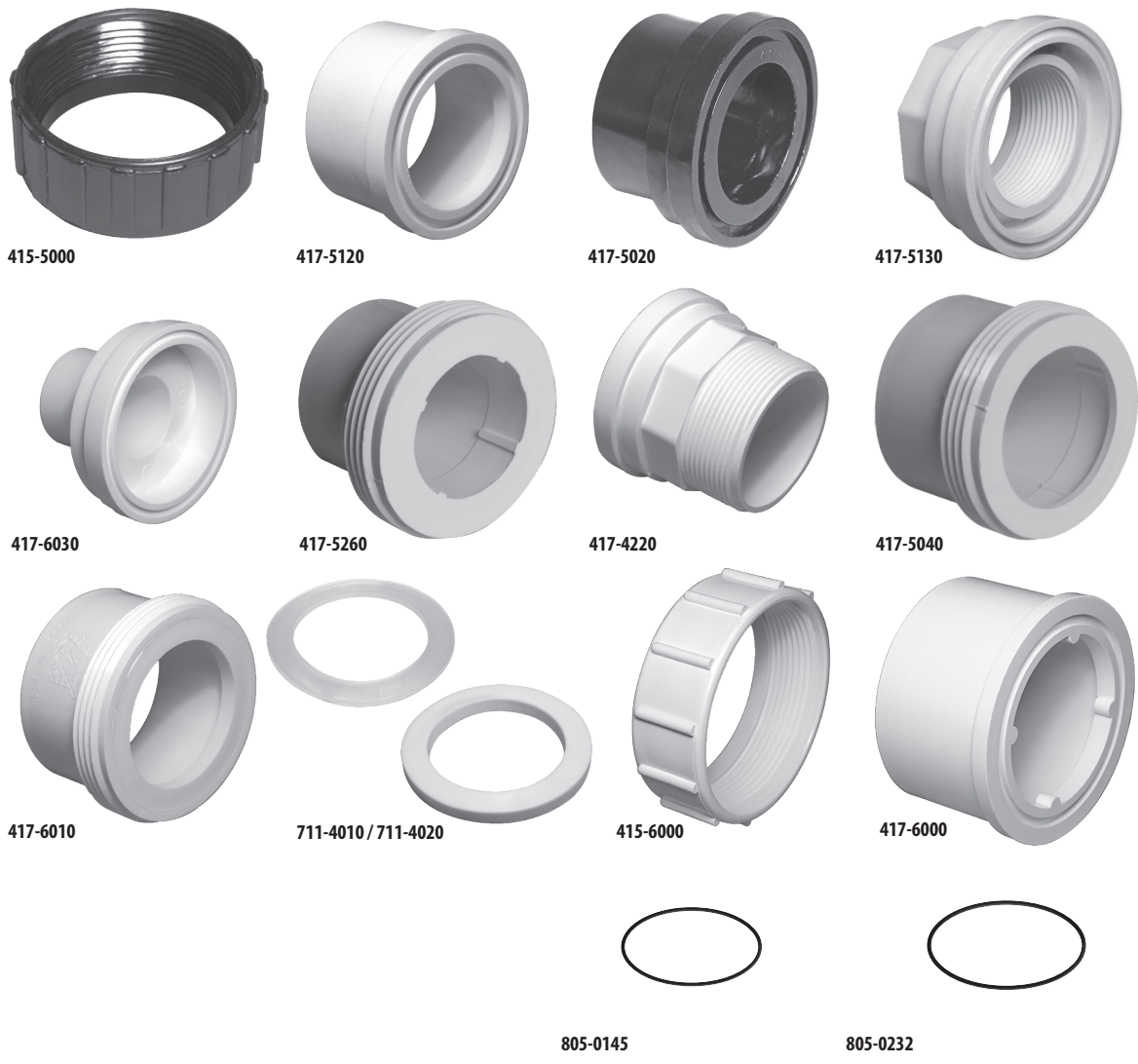
805-0226

### 1 1/2" Union Components

Part No.	Description	Case Quantity
415-4000	1 1/2" Union Nut	50
417-4070	1 1/2" Flange x 1 1/2" FPT Tailpiece	100
417-4000	1 1/2" Flange x 1 1/2" S Tailpiece	50
417-5500	1 1/2" Flange x 50mm S Tailpiece	100
417-2000	1 1/2" Flange x 1 1/2" Spigot / 1" S Tailpiece	50
417-4100	1 1/2" Flange x 1 1/2" Spigot	75
417-4030	1 1/2" Buttress Thread x 1 1/2" Spigot Tailpiece	230
417-4060	1 1/2" Buttress Thread x 1 1/2" MPT Tailpiece	230
417-4080	1 1/2" Flange x 1 1/2" S Tailpiece - Short	50
417-6040	1 1/2" Flange x 1 1/2" / 1 1/4" Hose Adapter Fitting	75
417-4010	1 1/2" Buttress Thread x 1 1/2" S Tailpiece	250
417-6020	1 1/2" Flange x 1 1/2" S Hose Adapter Fitting	50
417-5080	1 1/2" Buttress Thread x 1 1/2" S x 2" Spigot Tailpiece	75
417-4110	1 1/2" Buttress x 1 1/2" S - Short	150
711-4000	1 1/2" Union Kraton Gasket	500
805-0226	O-Ring - 1 1/2" Tailpiece	100



## Unions / 2" & 2 1/2" Union Components



Unions

### 2" and 2 1/2" Union Components

Part No.	Description	Case Quantity
415-5000	2" Union Nut	180
417-5120	2" Flange x 2" S Tailpiece	50
417-5020	2" Flange x 2" Spigot / 1 1/2" S Tailpiece	100
417-5130	2" Flange x 1 1/2" FPT Nut Tailpiece	140
417-6050	2" Flange x 1 1/2" / 1 1/4" Hose Adapter Fitting	200
417-6030	2" Flange x 1 1/2" Hose Adapter Fitting	25
417-5260	2" Buttress Thread x 2" Spigot / 1 1/2" S Tailpiece	160
417-4220	2" Flange x 2" MPT	50
417-5090	2" Flange Thread x 1 1/2" MPT Tailpiece	25
417-5040	2" Buttress Thread x 2" S Tailpiece	150
805-0145	O-Ring – 2" Heater Tailpiece	100
805-0229	2" Pump Union (thick) O-ring	100
711-4010	2" Flat Union Kraton Gasket	500
711-4020	2" x 1/4" Thick Union Kraton Gasket	500
711-4030	2" Ribbed O-ring Union Kraton Gasket	500
415-6000	2 1/2" Union Nut	50
417-6000	2 1/2" Flange x 2 1/2" Socket	50
417-5970	2 1/2" Flange x 2" Socket	50
417-6010	2 1/2" Buttress Thread x 2 1/2" Socket	100
805-0232	O-Ring – 2 1/2" Heater Tailpiece	100



## Unions / Heater Union Components



400-5491

### 1 1/2" Heater Union Nuts

Part No.	Description	Case Quantity
<b>400-5461</b>	1 1/2" Heater Split Nut - Long Assembly - with Screws	50
<b>400-5491</b>	1 1/2" Heater Split Nut - with Screws	100
<b>415-4021</b>	1 1/2" Heater Split Nut - without Screws	100



417-4090



417-4050

### 1 1/2" Heater Union Tailpieces

Part No.	Description	Case Quantity
<b>417-4090</b>	1 1/2" Buttress Thread x 1 1/2" S Tailpiece	100
<b>417-4050</b>	1 1/2" Buttress Thread x 1 1/2" Spigot Tailpiece	75



805-0224



711-4000



711-4050

### 1 1/2" Heater Union O-Ring Gaskets

Part No.	Description	Case Quantity
<b>805-0224</b>	O-Ring - 1 1/2" Heater Tailpiece	100
<b>711-4000</b>	Kraton Gasket - 1 1/2" Heater Tailpiece	500
<b>711-4050</b>	Kraton O-Ring Gasket - 1 1/2" Heater Tailpiece	500



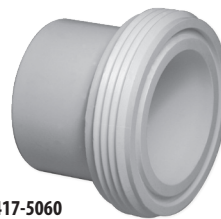
400-5161

### 2" Heater Union Nuts

Part No.	Description	Case Quantity
400-5161	2" Heater Split Nut - with Screws	150
415-5161	2" Heater Split Nut - without Screws	150



417-2090



417-5060



417-5140



413-2160



417-5180



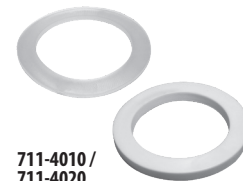
417-5160

### 2" and 2 1/2" Heater Union Tailpieces

Part No.	Description	Case Quantity
417-2090	2" Buttress Thread x 1 1/2" S Tailpiece	50
417-5050	2" Buttress Thread x 2" S Tailpiece	150
417-5060	2" Buttress Thread x 2" Spigot Tailpiece	45
417-5160	2" Buttress Thread x 2" Spigot / 1 1/2" S Tailpiece	160
417-5140	2" Buttress Thread x 2" MPT Tailpiece	45
413-2160	Heater Flow Switch Tee - 2" Buttress Thread x 2" Spigot x 1/2" FPT	25
417-5180	2" Buttress Thread x 3/4" S / 1" Spigot	100
417-5980	2 1/2" Heater Buttress Tailpiece	25



711-4030



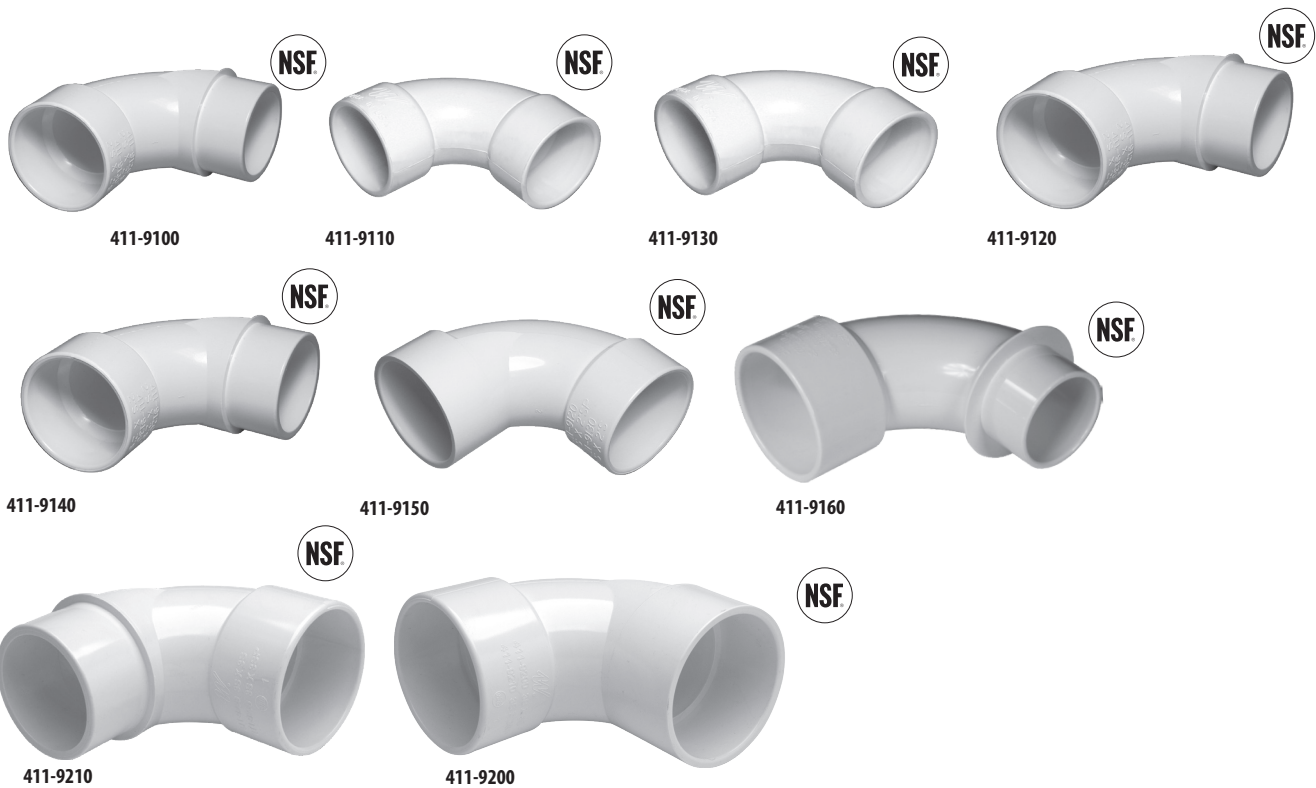
711-4010 /  
711-4020

### 2" and 2 1/2" Heater Union O-Rings and Gaskets

Part No.	Description	Case Quantity
711-4020	1/4" Thick Kraton Gasket - 2" Heater Tailpiece	500
711-4010	Kraton Gasket - 2" Heater Tailpiece	500
805-0229	O-Ring - 2" Heater	100
711-4030	2" Heater Tailpiece Kraton Gasket - with O-Ring Rib	500
711-6020	2 1/2" Heater Union Kraton Gasket	500



## Ells, Tees, & Wyes / Sweep Ells & U Bends



Ells / Tees / Wyes

### Sweep Ells

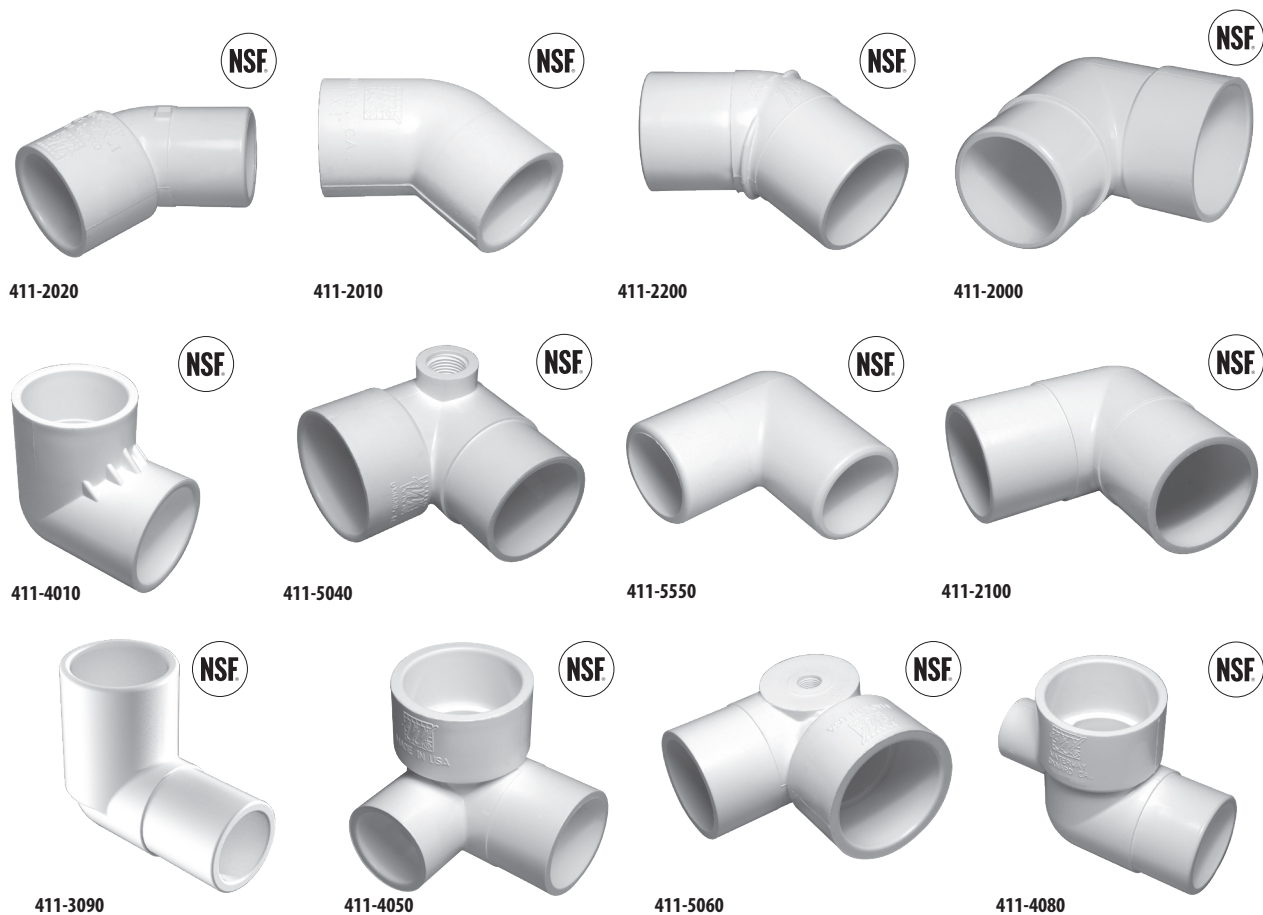
Part No.	Description	NSF Approved	Case Quantity
<b>411-9100</b>	1 1/2" Spigot x 1 1/2" S	X	100
<b>411-9110</b>	1 1/2" S x 1 1/2" S	X	100
<b>411-9120</b>	2" Spigot x 2" S	X	60
<b>411-9130</b>	2" S x 2" S	X	60
<b>411-9140</b>	2 1/2" Spigot x 2 1/2" S	X	30
<b>411-9150</b>	2 1/2" S x 2 1/2" S	X	30
<b>411-9160</b>	2" Spigot 90° x 2 1/2" S	X	35
<b>411-9200</b>	3" S x 3" S	X	15
<b>411-9210</b>	3" S x 3" Spigot	X	15



### U-Bends

Part No.	Description	Case Quantity
<b>429-4000</b>	U-Bend - 1 1/2" S x 1 1/2" S	50
<b>429-4030</b>	U-Bend - 2" S x 2" S	35
<b>400-4130</b>	2" Sweep Vent Grate Assembly	35

## Ells, Tees, & Wyes / 45° and 90° Ells



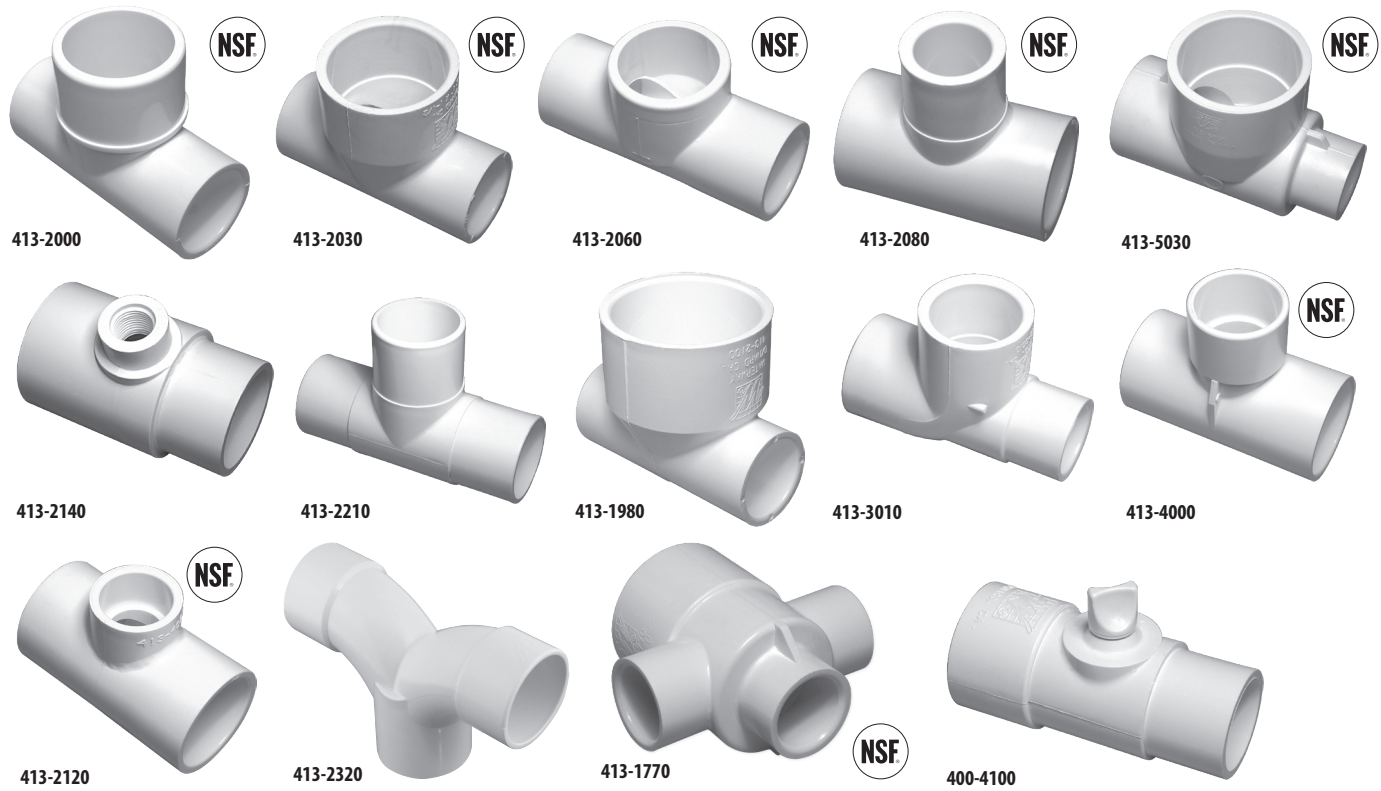
### 45° and 90° Ells

Part No.	Description	NSF Approved	Case Quantity
<b>411-2020</b>	45° Street Ell – 1" S x 1" Spigot	X	50
<b>411-4040</b>	45° Street Ell – 1 ½" S x 1 ½" Spigot		140
<b>411-5030</b>	45° Street Ell – 2" S x 2" Spigot		90
<b>411-2010</b>	45° Ell – 1" S x 1" S	X	150
<b>411-2200</b>	45° Ell – 2" Spigot x 2" Spigot	X	80
<b>411-2000</b>	90° Street Ell – 1" S x 1" Spigot	X	50
<b>411-3090</b>	90° Ell – ¾" Spigot x ¾" Spigot	X	250
<b>411-4000</b>	90° Street Ell – 1 ½" S x 1 ½" Spigot		130
<b>411-5080</b>	90° Street Ell – 2" S x 2" Spigot		60
<b>411-4010</b>	90° Ell – 1 ½" S x 1 ½" S	X	50
<b>411-5040</b>	90° Street Ell – 2" S x 2" Spigot x ½" FPT Left Side Outlet	X	60
<b>411-5050</b>	90° Street Ell – 2" S x 2" Spigot x ⅜" FPT Left Side Outlet		25
<b>411-5550</b>	90° Ell – 1 ½" Spigot x 1 ½" Spigot	X	50
<b>411-2100</b>	90° Ell – 2" Spigot x 2" Spigot	X	60
<b>411-4050</b>	90° Ell – 1 ½" S x 1 ½" Spigot x 1" S Side Outlet	X	25
<b>411-5060</b>	90° Street Ell – 1 ½" S x 1 ½" Spigot x ⅜" FPT Side Outlet	X	50
<b>411-4080</b>	90° Street Ell – 1 ½" S x 1 ½" Spigot x ½" S Outlet	X	50
<b>411-9170</b>	Ell – 2" S x 2" S x ¾" SB		50
<b>411-9180</b>	Ell – 2 ½" S x 2 ½" S x ¾" SB		30

Ells / Tees / Wyes



## Ells, Tees, & Wyes / Tees & Tee Assemblies



Ells / Tees / Wyes

### Tees & Tee Assemblies

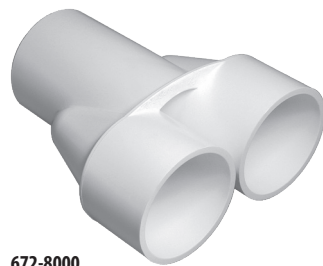
Part No.	Description	NSF Approved	Case Quantity
413-2000	1" S x 1" S x 1 1/2" Spigot	X	50
413-2030	1" S x 1" S x 1 1/2" S	X	140
413-2060	Low Profile - 1" S x 1" S x 1 1/2" Spigot	X	50
413-2080	1" S x 1" S x 1" Spigot	X	100
413-5030	2" S x 1 1/2" S x 1" S	X	70
413-2140	2" S x 2" Spigot x 1/2" FPT		75
413-2180	2" Spigot x 2" S x 3/8" Air Bleed		75
413-2130	2" S x 2" Spigot x 3/4" FPT		75
413-2210	2" Spigot x 2" Spigot x 2" Spigot		40
413-1980	Reducer - 1/2" S x 1/2" S x 1" S		100
413-3010	Reducer - 1" S x 1" S x 1" Spigot / 3/4" S		50
413-4000	1 1/2" S x 1 1/2" S x 1 1/2" Spigot	X	90
413-2150	2" Spigot x 2" S x 1/2" S		75
413-2120	2" Spigot x 2" Spigot x 1" S	X	90
413-2090	1 1/4" S x 1 1/4" S x 1 1/2" Spigot		100
413-2320	Sanitary Tee - 2 1/2" x 2 1/2" x 2 1/2"		15
413-1770	Cross Tee - 1 1/2" S x 3/4" S x 3/4" S x 3/4" S	X	50
400-4100	Tee Assembly with Relief Plug 1 1/2" S x 1 1/2" Spigot x 3/8" FPT		100
400-4260	Tee Assembly with Relief Plug 2" Spigot x 2" S x 3/8" FPT with O-Ring		70



## Ells, Tees, & Wyes / Wyes and Manifold Wyes



Wyes			
Part No.	Description	NSF Approved	Case Quantity
413-1810	120° Wye - 3/4" S x 3/4" S x 3/4" S	X	50
413-4160	120° Wye - 1" S x 1" S x 1" S		100
413-4100	120° Wye - 1 1/2" S x 1 1/2" S x 1 1/2" S		70
413-5080	120° Wye - 2" S x 2" S x 2" S		50
413-5040	120° Wye - 2" S x 1 1/2" S x 1 1/2" S	X	50
413-4130	120° Wye - 1 1/2" S x 1" S x 1" S	X	70
413-1820	22 1/2° Wye - 3/4" S x 3/4" S x 3/4" S	X	50
413-2020	22 1/2° Wye - 1" S x 1" S x 1" S		120
413-4140	22 1/2° Wye - 1 1/2" S x 1" S x 1" S		90



672-8000



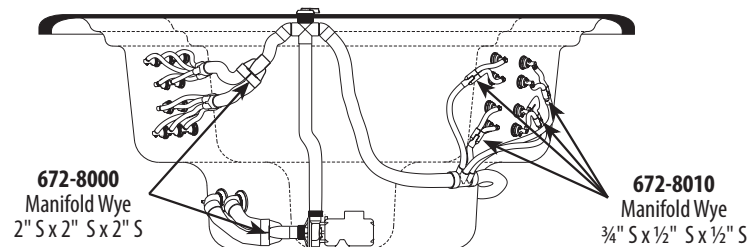
672-8010



672-9540

### FEATURES:

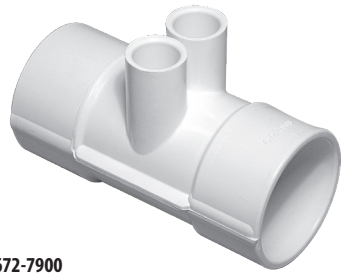
- Improves performance
- Saves plumbing cost
- Makes plumbing easier
- Available in two different sizes
- Made of fitting grade type 1 PVC
- Made in the USA



Manifold Wyes		
Part No.	Description	Case Quantity
672-8010	3/4" S x 1/2" S x 1/2" S	220
672-8020	1" S x 3/4" S x 3/4" S	180
672-8040	1 1/2" S x 1 1/2" S x 1 1/2" S	50
672-8000	2" S x 2" S x 2" S	40
672-8050	2 1/2" S x 2 1/2" S x 2 1/2" S	20
672-9540	(1) 2 1/2" S x (3) 2" S Distributor Manifold	25



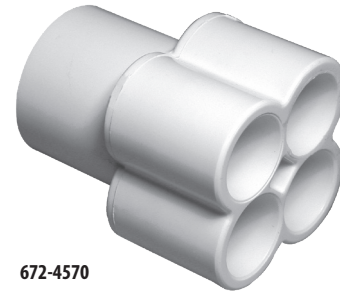
## Spa Manifolds / 1/2" Manifolds



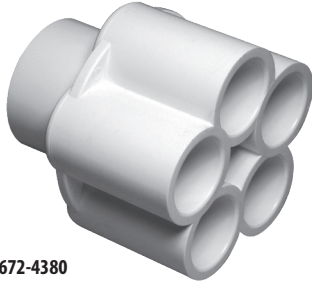
672-7900



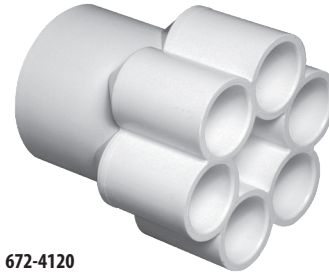
672-4250



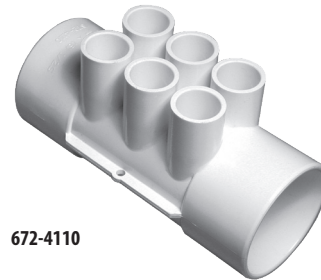
672-4570



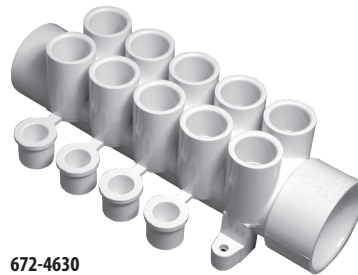
672-4380



672-4120



672-4110



672-4630

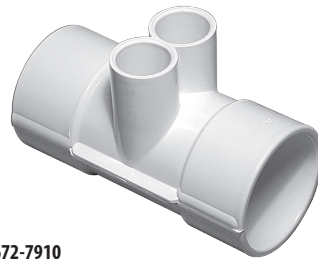
Manifolds

### 1/2" Manifolds

Part No.	Description	Case Quantity
<b>672-7900</b>	2" S x 2" S x (2) 1/2" S Ports	45
<b>672-4250</b>	2" Spigot x 2" S x (4) 1/2" S Ports	40
<b>672-4570</b>	1" S x (4) 1/2" S Ports	90
<b>672-4580</b>	1 1/2" S x (4) 1/2" S Ports	75
<b>672-4430</b>	2" S x 2" S x (4) 1/2" S Ports	40
<b>672-4380</b>	1" S x (5) 1/2" S Ports	60
<b>672-4120</b>	1 1/2" S x (6) 1/2" S Ports	45
<b>672-4130</b>	2" S x (6) 1/2" S Ports	90
<b>672-4110</b>	2" S x 2" S x (6) 1/2" S Ports	35
<b>672-4630</b>	1 1/2" Spigot x 1 1/2" S x (10) 1/2" S Ports with Plugs (4)	30



672-4280



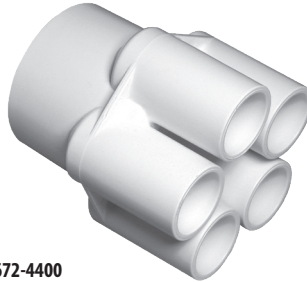
672-7910



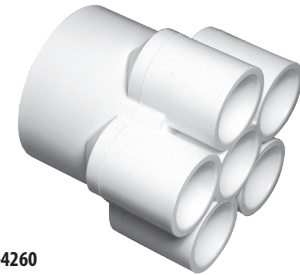
672-4200



672-4280



672-4400



672-4260



672-4270



672-4640

### 3/4" Manifolds

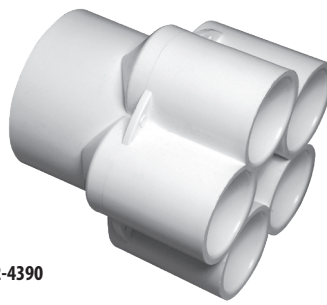
Part No.	Description	Case Quantity
672-4280	1 1/2" S x (2) 3/4" S Ports	180
672-7910	2" S x 2" S x (2) 3/4" S Ports	45
672-4190	1 1/2" Spigot x 1 1/2" S x (4) 3/4" S Ports	60
672-4200	2" S x 2" Spigot x (4) 3/4" S Ports	40
672-4670	1 1/2" S x (4) 3/4" S Ports	100
672-4180	1 1/2" S x 1 1/2" S x (4) 3/4" S Ports	60
672-4210	2" S x 2" S x (4) 3/4" S Ports	40
672-4400	2" S x (5) 3/4" S Ports	50
672-4260	2" S x (6) 3/4" S Ports	50
672-4270	2" S x 2" S x (6) 3/4" S Ports	30
672-4640	1 1/2" Spigot x 1 1/2" S x (8) 3/4" S Ports with Plugs (4)	20



## Spa Manifolds / 1" Manifolds and 2-4-6 Air Manifold Systems



672-4620



672-4390

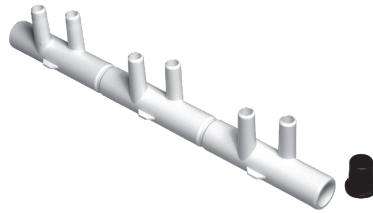
### 1" Manifolds

Part No.	Description	Case Quantity
672-4620	1 1/2" S x (4) 1" S Ports	100
672-4390	2" S x (5) 1" S Ports	45

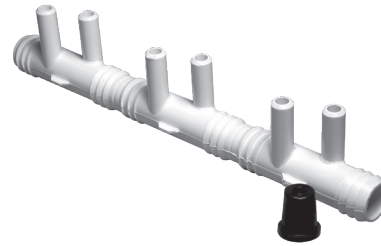
Manifolds

#### FEATURES:

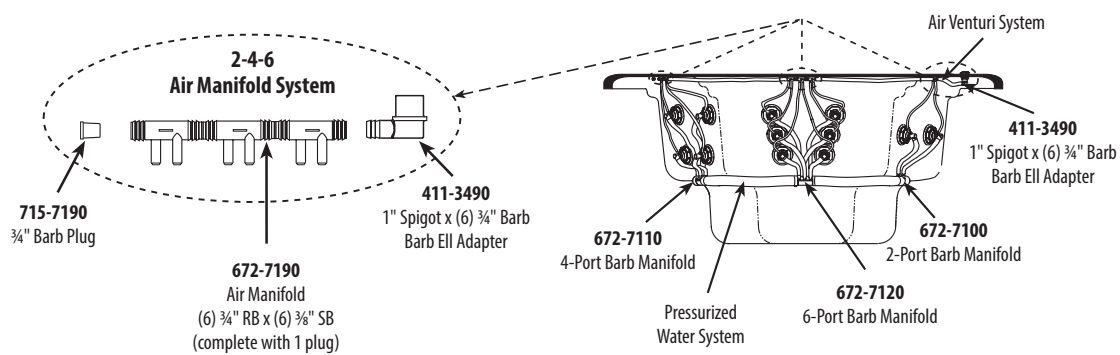
- Can be cut into multiple manifolds (2, 4, or 6 ports)
- Utilizes 3/4" and 3/8" clear vinyl tubing (less expensive than flex pipe)
- Allows for cleaner, easier plumbing
- Manifold comes complete with 1 plug



672-6970



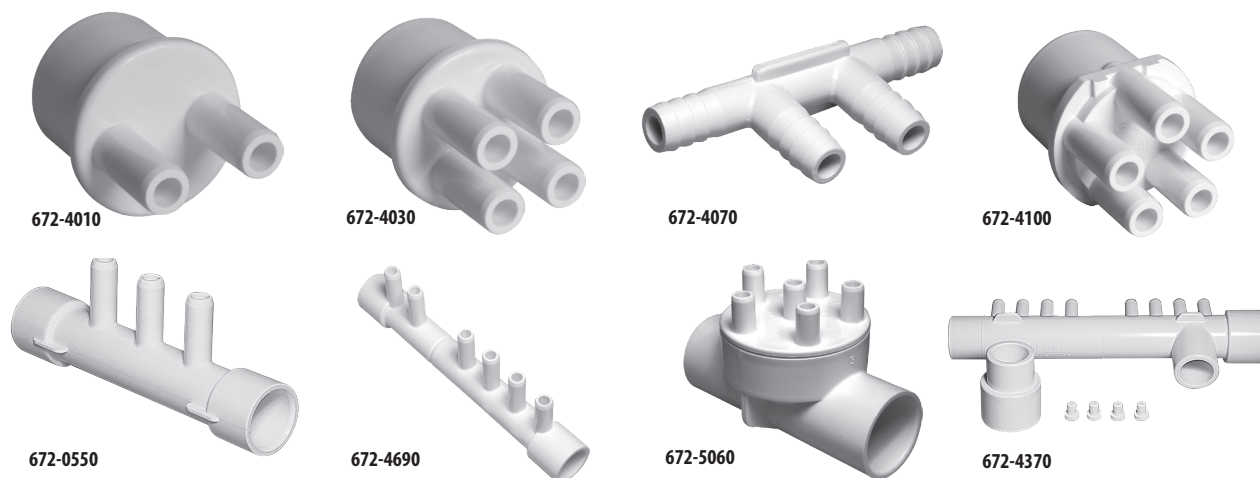
672-7190



### 2-4-6 Air Manifold Systems

Part No.	Description	Case Quantity
672-6970	2-4-6 Manifold - (6) 3/4" SB x (6) 3/8" SB Ports	150
672-7190	2-4-6 Manifold - (6) 3/4" RB x (6) 3/8" SB Ports	150

## Spa Manifolds / 3/8" Barb Manifolds & Pancake Manifolds



### 3/8" Barb Manifolds

Part No.	Description	Case Quantity
672-4010	1" Spigot x (2) 3/8" Barbs	250
672-4020	1" S x (2) 3/8" Barbs	200
672-4030	1" Spigot x (4) 3/8" Barbs	300
672-4040	1" S x (4) 3/8" Barbs	250
672-4070	(4) 3/8" RB	500
672-4610	1 1/2" Spigot Blind x (4) 3/8" SB	150
672-4100	1" Spigot x (5) 3/8" Barbs	160
672-0550	(2) 1/2" S x (3) 3/8" SB	150
672-4700	1" Spigot x 1" Spigot x (6) 3/8" Barbs with Plugs (3)	50
672-4690	1/2" S x 1/2" S x (6) 3/8" Barbs with Plugs (2)	150
672-5060	1" S x 1" S x (6) 3/8" Barbs Assembly	100
672-4370	1" S x 1" Spigot x 1" S x (8) 3/8" Barbs with Plugs (4)	50

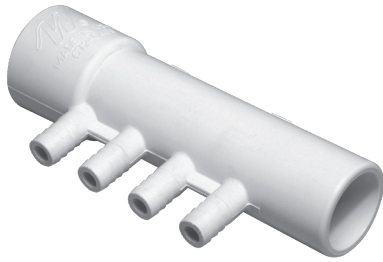


### Pancake Manifolds

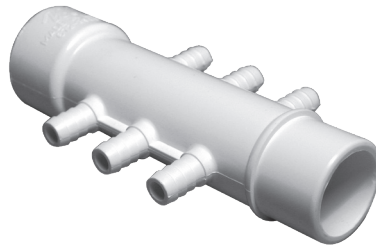
Part No.	Description	Case Quantity
672-5900	Air Manifold Assembly, 1" Spg Ell x (6) 3/8" SB	100
672-5910	Air Manifold Assembly, 1" Spg Ell x (8) 3/8" SB	100
672-5920	Air Manifold Assembly, 1" Spg Ell x (10) 3/8" SB	120
672-5930	Air Manifold Assembly, 1" Spg Ell x (12) 3/8" SB	35
672-5800	Air Manifold Assembly, 1" Spg Straight x (6) 3/8" SB	100
672-5810	Air Manifold Assembly, 1" Spg Straight x (8) 3/8" SB	180
672-5820	Air Manifold Assembly, 1" Spg Straight x (10) 3/8" SB	160
672-5830	Air Manifold Assembly, 1" Spg Straight x (12) 3/8" SB	160
672-5060	Air Manifold Assembly, 1" S x 1" S x (6) 3/8" SB	100
672-5070	Air Manifold Assembly, 1" S x 1" S x (8) 3/8" SB	100
672-5080	Air Manifold Assembly, 1" S x 1" S x (10) 3/8" SB	100
672-5960	Air Manifold Assembly, 1" S x 1" S x (12) 3/8" SB	25



## Spa Manifolds / 3/8" Barb Manifolds



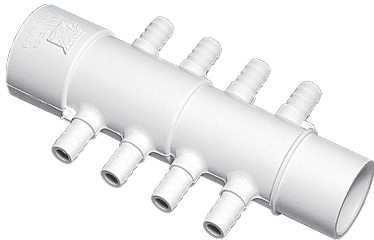
672-0400



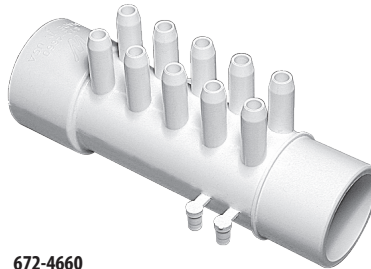
672-3900



425-4000



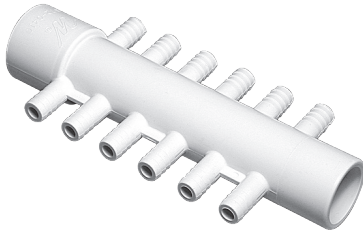
672-4340



672-4660



672-5080



672-0410



672-0420

Manifolds

### 3/8" Barb Manifolds

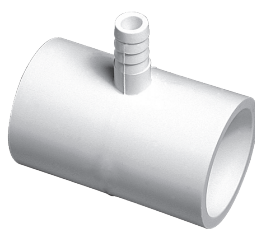
Part No.	Description	Case Quantity
672-0400	1" S x 1" Spigot x (4) 3/8" RB Barbs	170
672-3900	1" S x 1" Spigot x (6) 3/8" RB Barbs	50
425-4000	1 1/2" Spigot x 1 1/2" S x (6) 3/8" RB Barbs	75
672-4340	1" S x 1" Spigot x (8) 3/8" RB Barbs	140
672-5070	1" S x 1" S x (8) 3/8" Barbs Assembly	100
672-4660	1 1/2" Spigot x 1 1/2" S x (10) 3/8" Barbs with Plugs (4)	60
672-5080	1" S x 1" S x (10) 3/8" Barbs Assembly	100
672-0410	1" S x 1" Spigot x (12) 3/8" RB Barbs	100
672-0420	1 1/2" S x 1 1/2" Spigot x (16) 3/8" SB Barbs	35
672-6410	1" S X 1" Spigot X (8) 3/8" SB Barbs	140
672-6420	1" S X 1" Spigot X (4) 3/8" SB Barbs	170
672-6430	1" S X 1" Spigot X (12) 3/8" SB Barbs	100

Improved!





425-4020



413-4350



419-1000



425-4040



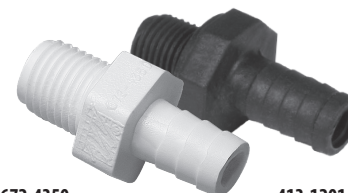
425-0210



425-5010

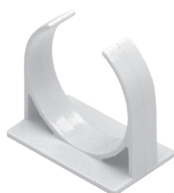


421-1030

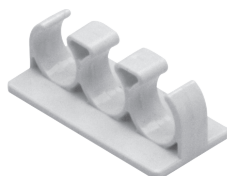


672-4350

413-1201



672-1430



672-1440



672-1450



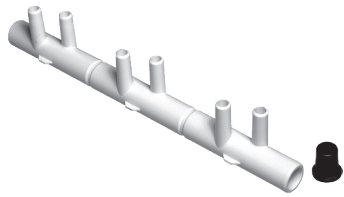
715-9760

### 3/8" Barb Adapters

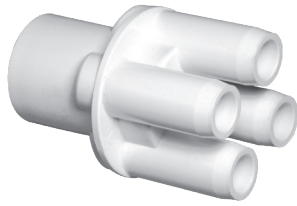
Part No.	Description	Case Quantity
425-4020	Reducer - 3/8" RB x 1/4" RB	3000
413-4350	Tee - 1" S x 1" S x 3/8" RB	100
419-1000	Coupler - 3/8" RB x 3/8" RB	500
425-4040	90° Ell - 1" S x 3/8" RB	150
425-0210	1/2" Spigot x 3/8" RB	500
425-5010	1" Spigot x 3/8" RB	300
672-4350	3/8" B x 1/4" MPT	500
413-1201	3/8" B x 1/4" N.P.S.M.	500
413-1900	Tee - 3/8" B x 3/8" B x 3/8" B	500
425-1080	3/4" Spigot x 3/8" SB	750
672-1440	3/8" Triple "C" Tubing Holder	300
672-1450	3/8" x 3/4" Stacked Tubing Clip	100
672-1430	1 1/2" Manifold "C" Holder	100
413-1940	3/8" SB Wye	500
715-1261	3/8" SB x 1/4" MPT Barb Adapter	100
421-1030	1/2" Socket x 3/8" SB Adapter	270
425-6400	90° Ell - 1" S x 3/8" SB	250
715-9760	Plug for 3/8" Barb (Flex Style)	



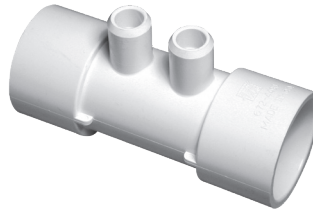
## Spa Manifolds / ShurGrip Manifolds



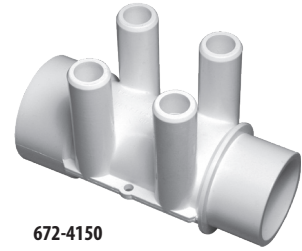
672-6970



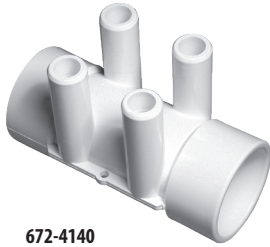
672-4410



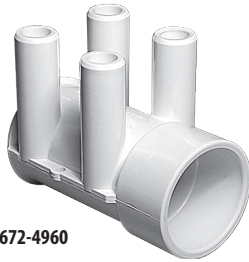
672-4490



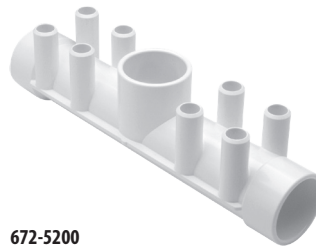
672-4150



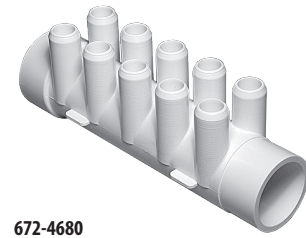
672-4140



672-4960



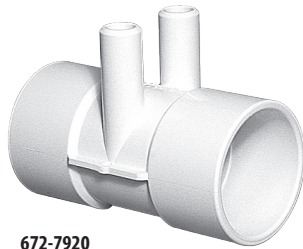
672-5200



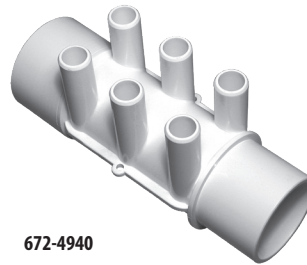
672-4680



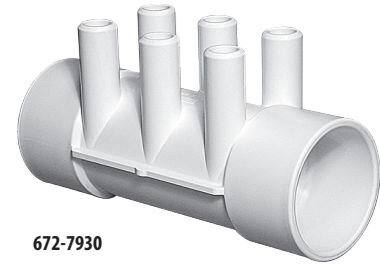
672-4910



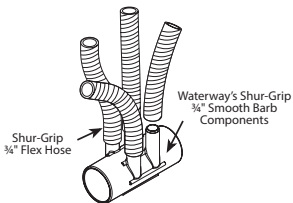
672-7920



672-4940



672-7930

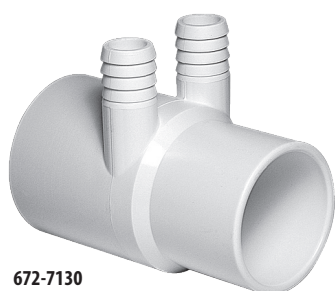


The Shur-Grip Plumbing System was specifically developed for the OEM Spa Manufacturing Industry. Shur-Grip components improve the glue joint characteristics yet maintain the quality of the flex hose at an affordable price. Look for the Shur-Grip symbol on compatible jet bodies and other specialty fittings.

### ShurGrip Manifolds

Part No.	Description	Case Quantity
672-6970	(6) 3/4" SB x (6) 3/8" SB with Plug	150
672-4410	1" S x (4) 3/4" SB - Cluster Cap	50
672-4770	1 1/2" S x (4) 3/4" SB - Cluster Cap	30
672-4490	1 1/2" S x 1 1/2" S x (2) 3/4" SB	80
672-4150	1 1/2" S x 1 1/2" Spigot x (4) 3/4" SB	60
672-4140	1 1/2" S x 1 1/2" S x (4) 3/4" SB	60
672-4960	1 1/2" S x Dead End x (4) 3/4" SB	75
672-5200	1 1/2" S x 1 1/2" S x 1 1/2" S x (8) 3/4" SB	20
672-5240	1 1/2" S x 1 1/2" Spg x 6 3/4" SB	50
672-5250	1 1/2" S x 6 3/4" SB Dead End	50
672-5260	1 1/2" S x 1 1/2" S x 6 3/4" SB	50
672-4680	1 1/2" Spigot x 1 1/2" S x (10) 3/4" SB	40
672-4900	2" Spigot x 2" Spigot x (2) 3/4" SB	60
672-4910	2" S x 2" Spigot x (2) 3/4" SB	60
672-7920	2" S x 2" S x (2) 3/4" SB	50
672-7360	2" S x Dead End x (2) 3/4" SB	90
672-4920	2" Spigot x 2" Spigot x (4) 3/4" SB	45
672-4160	2" S x 2" Spigot x (4) 3/4" SB	40
672-4170	2" S x 2" S x (4) 3/4" SB	40
672-7370	2" S x Dead End x (4) 3/4" SB	50
672-4930	2" Spigot x 2" Spigot x (6) 3/4" SB	30
672-4940	2" S x 2" Spigot x (6) 3/4" SB	30
672-7930	2" S x 2" S x (6) 3/4" SB	30
672-7380	2" S x Dead End x (6) 3/4" SB	35
425-1090	1.5" S x 2 3/4" SB End Cap	100

## Spa Manifolds / 3/4" Ribbed Barb Manifolds



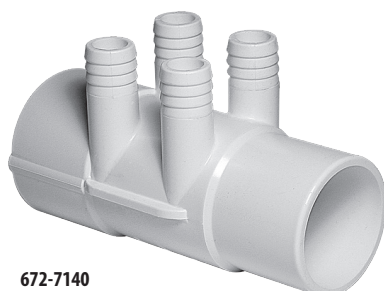
672-7130



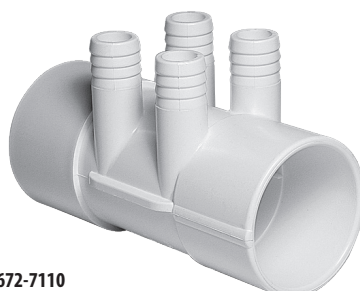
672-7100



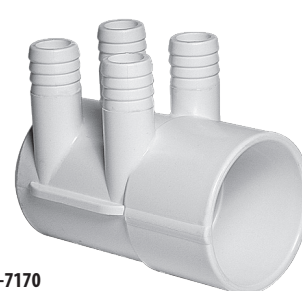
672-7160



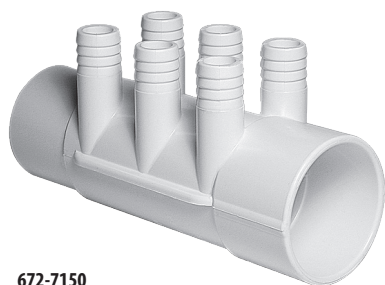
672-7140



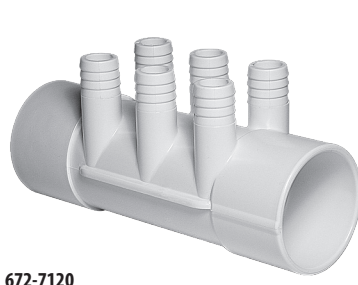
672-7110



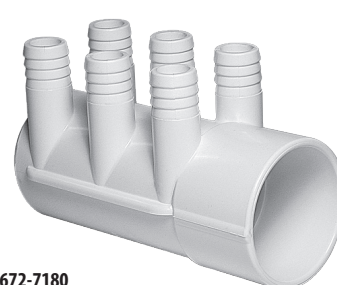
672-7170



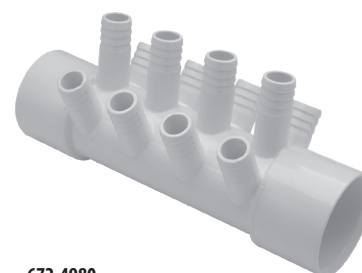
672-7150



672-7120



672-7180



672-4980

Manifolds

### 3/4" Ribbed Barb Manifolds

Part No.	Description	Case Quantity
672-7130	2" S x 2" Spigot x (2) 3/4" RB	50
672-7100	2" S x 2" S x (2) 3/4" RB	50
672-7160	2" S x Dead End x (2) 3/4" RB	90
672-7140	2" S x 2" Spigot x (4) 3/4" RB	40
672-7110	2" S x 2" S x (4) 3/4" RB	40
672-7170	2" S x Dead End x (4) 3/4" RB	50
672-7150	2" S x 2" Spigot x (6) 3/4" RB	30
672-7120	2" S x 2" S x (6) 3/4" RB	30
672-7180	2" S x Dead End x (6) 3/4" RB	35
672-4980	2" S x 2" S x (12) 3/4" RB	18



## Spa Manifolds / 3/4" Barb Adapters



413-1960



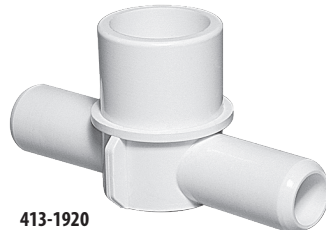
411-3490



425-1000



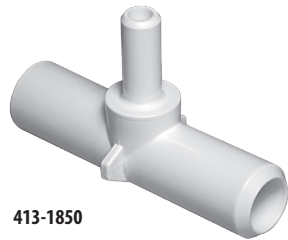
413-4360



413-1920



672-4310



413-1850



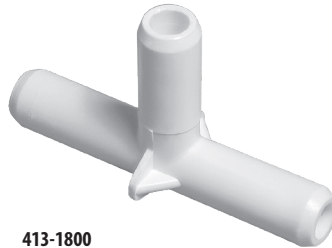
411-3700



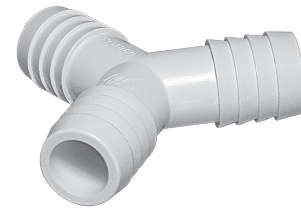
411-3500



411-4060



413-1800



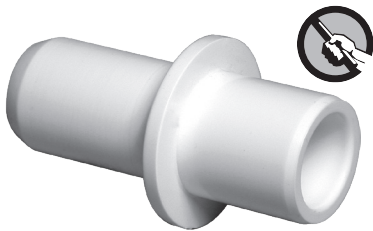
413-1860

Manifolds

### 3/4" Barb Adapters

Part No.	Description	Case Quantity
411-3700	90° Ell - 3/4" RB x 3/4" RB	150
413-1860	120° Wye - 3/4" RB	150
413-1960	120° Wye - 3/4" SB	250
413-1800	Tee - 3/4" SB x 3/4" SB x 3/4" SB	200
413-1850	Tee - 3/4" SB x 3/4" SB x 3/8" SB	250
425-1000	1/2" Spigot x 3/4" RB	300
425-1030	1/2" S x 3/4" Spigot x 3/4" RB	350
411-3500	90° Ell - 1/2" Spigot x 3/4" RB	150
411-0360	90° Ell - 3/4" Spigot x 1/2" S x 3/4" SB	200
411-0350	90° Ell - 3/4" Spigot x 1/2" S x 3/4" RB	500
411-4060	90° Ell - 3/4" Short Spigot x 3/4" RB	300
411-4160	90° Ell - 3/4" Spigot x 3/4" SB Adapter	350
411-3490	Ell - 1" Spigot x 3/4" RB	230
411-3480	Ell - 1" Spigot x 3/4" SB	230
413-1920	Tee - 1" Spigot x (2) 3/4" SB	180
672-4310	1" Spigot / 3/4" S x 3/4" RB	250
672-4320	1 1/4" Spigot / 1" S x 3/4" RB	200
413-4360	1 1/2" Spigot x 3/4" SB	200
413-4370	1 1/2" Spigot x 3/4" RB	50
413-4510	2" Spigot x 3/4" SB	150

Spa Manifolds / 3/4", 1", 1 1/2" Barb Adapters



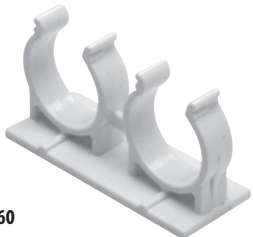
419-1920



419-0900



425-1030



672-1460



715-0340

3/4" Barb Adapters

Part No.	Description	Case Quantity
419-1920	3/4" SB x 1/2" Spigot	200
419-0900	Coupling - 3/4" SB x 3/4" SB	250
425-1030	1/2" S / 3/4" Spigot x 3/4" RB	350
672-1460	3/4" "C" Clip with Zip Tie Loops	200
715-0340	3/4" SmartPlumb Deep Inverted Plug	500



425-1010

1" Barb Adapters

Part No.	Description	Case Quantity
425-1010	1" Spigot / 3/4" S x 1" RB	125



417-6140

1 1/2" Barb Adapters

Part No.	Description	Case Quantity
417-6140	1 1/2" MPT x 1 1/2" Hose	240

Manifolds





## Spa Miscellaneous & Accessories / Thermowells



400-4420



400-4360



400-5540



400-5580



400-6040

### Thermowells

Part No.	Description	Case Quantity
<b>400-4420</b>	Mini Thermowell Assembly	100
<b>400-4360</b>	Thermosensor with Probe Protector	150
<b>400-5540</b>	90° Ell - 1 1/2" S x 1 1/2" S - with 2 Thermowells and Bushings	80
<b>411-5520</b>	Ell - 1 1/2" S x 1 1/2" S - with 2 Thermowells	80
<b>400-5580</b>	Ell - 1 1/2" S x 1 1/2" S - with Thermowell and Bushing	100
<b>411-5540</b>	90° Ell - 1 1/2" S x 1 1/2" S - with Thermowell	25
<b>400-6040</b>	90° Ell - 2" S x 2" Spigot x 3/8" Air Bleed - with Thermowell and 2 Bushing	60
<b>411-6040</b>	90° Ell - 2" S x 2" Spigot x Air Bleed - with Thermowell	60
<b>805-0014</b>	O-Ring for 90° Ell - 2" S x 2" Spigot x Air Bleed	100
<b>811-8160</b>	Bushing for Ells - 1 1/2" S x 1 1/2" S	100



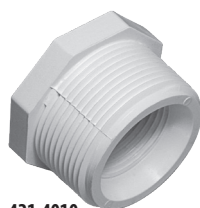
## Spa Miscellaneous & Accessories / Reducers, Nipples, and Plugs



421-1000



421-1050



421-4010



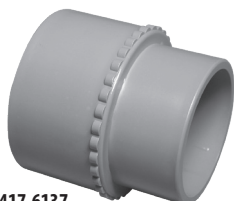
421-4070



421-4020



417-6127



417-6137



421-0010



421-0030

### Reducers

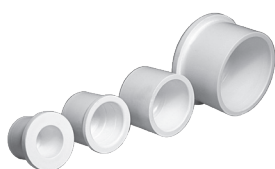
Part No.	Description	Case Quantity
421-0010	Reducer Bushing- 3/4" Spigot X 1/2" Spigot	
421-0030	Reducer Bushing - 1" Spigot X 3/4" Spigot	
421-1000	Reducer - 2" Spigot x 1 1/2" Spigot	50
421-1050	Reducer - 1" Spigot x 1/2" S	225
421-4010	Reducer - 1 1/4" MPT x 1/2" FPT	150
421-4030	Reducer - 1 1/2" Spigot x 1" Spigot	100
421-4070	Reducer - 1 1/2" Socket x 2" Spigot	100
421-4020	Bell Reducer - 1 1/2" x 1" S	75
421-5000	Bell Reducer - 2" S x 1 1/2" S	75
417-6127	Metric Reducer - 1" Spigot x 32mm S	75
417-6137	Metric Reducer - 1 1/2" Spigot x 50mm S	50

### Threaded Nipple

Part No.	Description	Case Quantity
423-4000	1 1/2" Spigot x 1 1/2" MPT	25

### 2" Barb Adapter

Part No.	Description	Case Quantity
417-6197	2" Spigot x 63mm S	50



715-9870



715-9770



715-9850

### Plugs

Part No.	Description	Case Quantity
715-0000	1/2" Spigot	200
715-9890	3/4" Spigot	600
715-2000	1" Spigot	200
715-4000	1 1/2" Spigot	100
715-9880	2" Spigot	100
715-9870	3/8" Barb	100
715-0040	3/4" SmartPlumb Barb (New Style)	1140
715-9860	3/4" Barb (Old Style)	1000
715-9770	Cap Style - 3/8" RB	1500
715-9850	3/8" Hose	1000



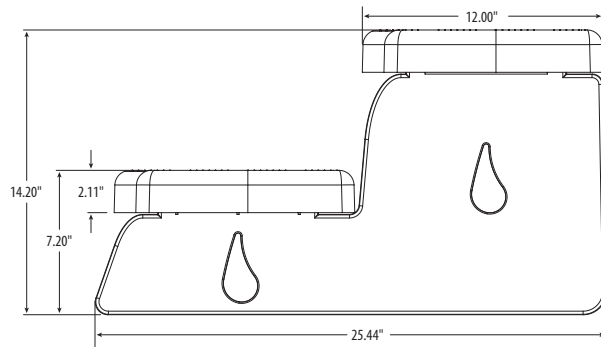
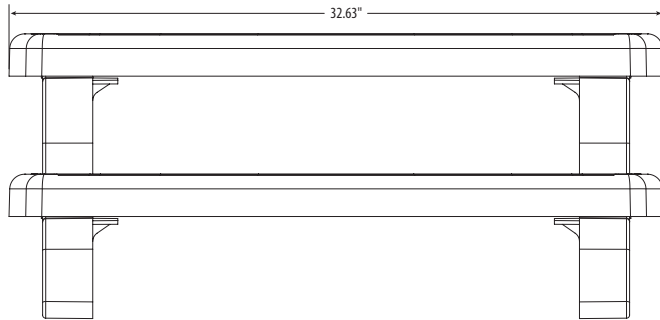
## Spa Miscellaneous & Accessories / Spa Steps

### FEATURES:

- Easy, snap together parts for quick assembly
- Packaged for retail sale
- 33" non-slip treads
- Made of durable UV protected polypropylene
- 800 lbs. weight capacity
- Available in multiple colors



Misc / Accessories



### Spa Steps

Part No.	Description	Color	Pallet Qty
<b>535-2209-BRK</b>	33" Spa Step Assembly	Bark	32
<b>535-2209-GPH</b>	33" Spa Step Assembly	Graphite	32
<b>535-2209-CHC</b>	33" Spa Step Assembly	Charcoal	32
<b>535-2209-CSG</b>	33" Spa Step Assembly	Coastal Gray	32
<b>535-2209-MOC</b>	33" Spa Step Assembly	Mocha Coffee	32
<b>535-2201</b>	33" Spa Step Assembly	Black	32

**FEATURES:**

- Low profile design
- Hose bib pulls out for easy access
- Protective cover seals against all possible leak points
- Optional metric adapter
- Plumbs to ¾" flex hose



600-9101 / 600-9167

**Lo-Profile Spa Drain Fill Valve**

Part No.	Description	Case Quantity
<b>600-9101</b>	Lo-Profile Drain Fill Valve Assembly	50
<b>600-9167</b>	Metric Hose Adapter with Gasket	200
<b>600-9101</b>	¾" Lo-Profile Drain Fill Valve Assembly	50
<b>600-9167</b>	Lo-Profile Drain Fill Valve Metric Adapter with Gasket	200



640-2000



400-3031

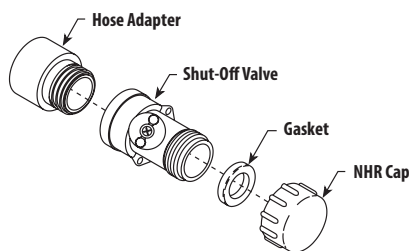


**Spa Drain and Fill Niche for Garden Hose Connection**

Part No.	Description	Case Quantity
<b>640-2001</b>	1" S - Spa Drain/Fill Valve Assembly - Black	100
<b>400-3031</b>	½" Hose On/Off Spa Drain Valve with Niche	75
<b>400-3021</b>	¾" Hose On/Off Spa Drain Valve with Niche	75



400-2060



400-2100

**On/Off Valves for Garden Hose**

Part No.	Description	Case Quantity
<b>400-2060</b>	½" Hose On/Off Valve Assembly	125
<b>400-2070</b>	¾" Hose On/Off Valve Assembly	125
<b>400-2100</b>	¾" SB Hose On/Off Valve Assembly	125
<b>519-0231</b>	Drain Cap - ½" NHR	100
<b>806-0100</b>	Gasket - ¾"	100
<b>872-0004</b>	Shut-Off Valve	50
<b>413-4400</b>	Adapter - ½" S x Male Garden Hose	250
<b>413-4410</b>	Adapter - ¾" S x Male Garden Hose	200

Misc / Accessories



### Clear Acrylic Hand Rails

Part No.	Description
616-1100	11" Clear Acrylic Hand Rail
616-1300	13" Clear Acrylic Hand Rail
616-1400	14" Clear Acrylic Hand Rail
616-1600	16" Clear Acrylic Hand Rail
616-1800	18" Clear Acrylic Hand Rail
616-2000	20" Clear Acrylic Hand Rail
611-4800	Rubber Grommet (no angle)
611-7000	Rubber Grommet

#### FEATURES:

- Provides easy access to cabinets
- Fits most types of cabinet doors and panels
- Easy installation

#### Specifications:

- Niche  
1 1/2" Hole Saw Size
- Threaded Flush Mount Insert  
23/64" Hole Saw Size  
6MM Drive Size
- Material  
ABS Black Niche and Handle  
Stainless Steel 1/4 - 20 Screw  
Die Cast Zinc Alloy Threaded Flush Mount Insert



### Cabinet Latch

Part No.	Description	Case Quantity
675-3031	Cabinet Latch, Niche and Flush Mount Insert Assy	1000

#### FEATURES:

- Easily mounts onto most T&G skirt panels
- Louvered vent protects against weather and rodent intrusion
- Handle allows for easy removal of skirt panels
- Measures 3.5" x 6.25"



### Spa Handle Vent

Part No.	Description	Color	Case Quantity
675-6511	Louvered Spa Vent Assembly	Black	100

## NEW!

#### FEATURES:

- LED Corner Sconce Light
- Corner Spa Vent
- Fits most corners of spas
- Accepts most LED points of light
- Available in Black or Clear

#### SPECIFICATIONS:

- 3.5 Sq. In. of Vent Area
- Made of ASA Black or Clear
- Polyester Materials
- Fits Best with 3" Radius Corners



### LED Spa Vent/Sconce Light

Part No.	Description	Color	Case Qty.
675-3401	LED Spa Vent/Sconce Light	Black	
675-3408	LED Spa Vent/Sconce Light	Clear	

**FEATURES:**

- Automatically adjusts to temperature change:  
Closed for cold or freezing conditions;  
Open for hot conditions
- Easy through-wall installation
- Louvered grill to protect against weather and rodent intrusion
- Hole Saw Size: 4"



675-6531

**Adjustable Thermo Vent**

Part No.	Description	Color	Case Quantity
<b>675-6531</b>	Adjustable Auto Vent	Black	30
<b>675-6537</b>	Adjustable Auto Vent	Gray	30

**FEATURES:**

- 4 3/4" overall diameter
- 4" diameter hole saw and vent area
- 0.100" diameter holes (148) for improved ventilation
- Available in assorted colors



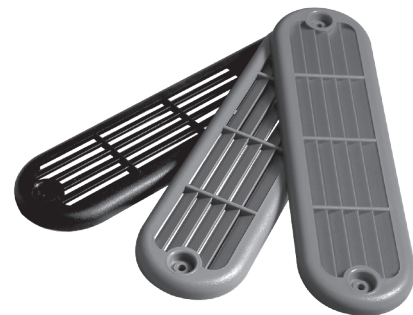
**4" Vent**

Part No.	Description	Color	Case Quantity
<b>672-0609-DSG</b>	4" Round Vent	DSG	300

Misc / Accessories

**Spa Cabinet Vents**

Part No.	Description	Color	Case Quantity
<b>675-6501</b>	Oval Spa Vent Assembly; 2 5/16" X 8 1/2"	Black	150
<b>675-6509-BRK</b>	Oval Spa Vent Assembly; 2 5/16" X 8 1/2"	Bark	150
<b>675-6509-CHC</b>	Oval Spa Vent Assembly; 2 5/16" X 8 1/2"	Charcoal	150









# Technical Info



**Friction loss of water in feet of head per 100 foot length of pipe.**

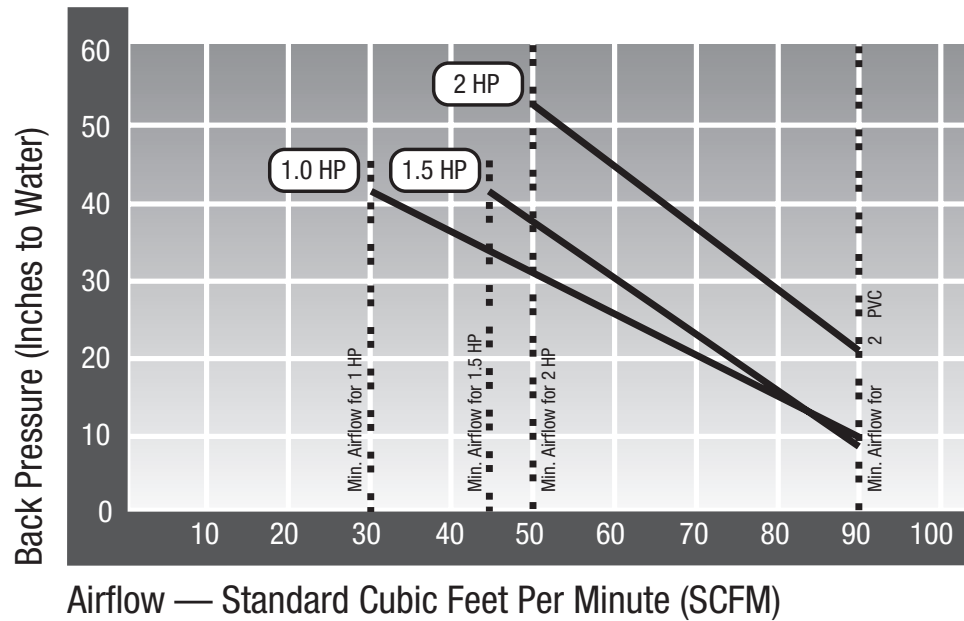
**1. Calculate water depth in inches:**

A.	Actual water depth in injector	=	_____
B.	Add ½" of water per 90° elbow	=	_____
C.	Add ⅛" of water per 45° elbow	=	_____
D.	Add 1" of water per 10 feet of 2" pipe	=	_____
E.	Add 4" of water per ½" spring check valve	=	_____
<b>TOTAL INCHES OF WATER</b>		=	_____

**2. Find the airflow or SCFM provided by your blower:**

- A. On the **Blower Performance Chart**, find the number that corresponds to the **total inches of water** needed.
- B. Read across the chart until you **intersect the horsepower (HP)**, then go down for SCFM.
- C. **Take total SCFM and divide by 10** to get corresponding hole sizes.

## BLOWER PERFORMANCE CHART



**3. Calculate the number of holes by using the Air Hole Sizing Chart:**

Air Hole Sizing Chart	
Air Hole Size	Number of Holes Needed per 10 SCFM
⅛"	24
⅕"	15
⅜"	11
¼"	6
⅝"	4
Jet	1



Hole Saw Sizes			
Description	Size	Description	Size
<b>Storm Jets</b>		<b>SGMS Components</b>	
Storm Jets - Adjustable Cluster Storm	1 1/2"	SGMS - 5/8" & 3/4" Pin Lights	0.386"
Storm Jets - Mini Storm Flat Gasket	2 3/16"	SGMS - 1" Pin Lights, Micro Jets, Micro Injectors	43/64"
Storm Jets - Mini Storm Grommet Gasket	2 1/4"	SGMS - Ozone Jet, Ozone Return	1 3/8"
Storm Jets - Poly Storm Flat Gasket	2 5/8"	SGMS - Cluster Storm	1.650"
Storm Jets - Poly Storm Grommet Gasket	2 11/16"	SGMS - Mini Storm	2 11/32"
Storm Jets - Power Storm Flat Gasket	3 3/4"	SGMS - Poly Storm, 3.5" Light	2 27/32"
Storm Jets - Power Storm Grommet Gasket	3 7/8"	SGMS - Power Storm, 5" Spa Light	3 31/32"
Storm Jets - Mega Storm W/ Flat Gasket	4 3/4"	SGMS - Air Control	2 7/16"
<b>Jets</b>		SGMS - 1" Valve	2 17/32"
Jets - Ozone/ Cluster	1 1/16"	SGMS - 2" Valve	3 3/4"
Jets - Poly	2 5/8"	SGMS - 2 7/16" Mini Spa Light	1 63/64"
Jets - Turbo	3 1/4"	<b>Load Washer</b>	
Jets - Old Faithful	4 3/4"	Load Washer - Hi-Flo Suction, 1 1/2" Cartridge Mount Fittings	2 1/2"
Jets - Power Stream	5"	Load Washer - 2" Cartridge Mount Fittings	3"
Jets - Master Massage	5 3/4"	Load Washer - All 5" Suction (Both 2" and 2 1/2")	3 7/16"
Jets - Rip Current	5 3/4"	Load Washer - Power Stream, 10" Ultra Drain	5"
<b>Suction</b>		Load Washer - Master Massage, Rip Current Jets	6"
Suction - Lo-Pro and Hi-Flo/Ultra High Flo Flat Gasket	2 3/8"	Load Washer - Dyna-Flow, Teleweir Skim filters, Pressure Filters	7"
Suction - Lo-Pro and Hi-Flo/Ultra High Flo Grommet Gasket	2 1/2"	<b>Skimmers/ Filters</b>	
Suction - Super Hi-Flo/Designer Pro/Ultra High Flo Flat Gasket	3 1/4"	Skimmers/Filters - 5 1/2" Top Load Filter	4 1/8"
Suction - Super Hi-Flo/Designer Pro/Ultra High Flo Grommet Gasket	3 7/16"	Skimmers/Filters - Skim Filter Dyna-Flo	6 7/8"
<b>Air Components</b>		Skimmers/Filters - Skim Filter Dyna-Flo Grommet Gasket	7"
Air Components - Air Bleed	1 5/16"	Skimmers/Filters - Skimmers Strip Flat Gasket	2 3/8"
Air Components - Air Control Lo-Pro	1 5/8"	Skimmers/Filters - Skimmers Strip Grommet Gasket	2 1/2"
Air Components - Air Injector Lo-Pro	3/4"	Skimmers/Filters - Filters Top Load	6 7/8"
Air Components - Air Injector Multi-Body	5/8"	Skimmers/Filters - Filters Top Load Grommet Gasket	7"
Air Components - Air Injector Ozone	5/8"	Skimmers/Filters - 8" Skim Filters	6 7/8"
Air Components - Air Injector Top Flow	1 3/16"	Skimmers/Filters - 10" Skim Filters	8 1/2"
<b>Valves</b>		<b>Specialty Items</b>	
Valves - Diverter 1" Mini	2 1/16"	Specialty Items - Auto Vent	4"
Valves - Diverter 2" Top Access	3 1/4"	Specialty Items - Fittings Thru Wall	1 5/16"
Valves - Spa Drain & Fill	1 5/8"	Specialty Items - Return Fitting	2 5/16"
<b>Lights</b>		Specialty Items - Termosensor	1"
Lights - 1/2"	3/8"	Specialty Items - Thermowell Mini	1 3/16"
Lights - 1"	5/8"	Specialty Items - Waterway Cascade	(2) x 7/8"
Lights - 2 1/8"	1 5/8"		
Lights - 3"	2 5/8"		
Lights - 5" Jumbo	3 3/4"		
Lights - 7" XL Jumbo	5 3/4"		
Lights - Cup Holder	2 5/8"		

**Note:** Always test hole saw sizes on scrap material before cutting on production parts.



**1. Determine required turnover rate for spa in gallons per minute (GPM).**

$$\frac{\text{Total Gallons}}{\text{Desired Turnover Rate (30 min. spa)}} = \text{GPM}$$

**2. Determine GPM and PSI needed for maximum jet performance (use Jet Performance Flow Curves from page 114).**

$$\text{Target Flow (GPM)} \quad \text{Target Pressure (PSI)}$$

**3. A. Figure resistance head of system:**

From Friction Flow Chart on page 264 and Friction Loss in Fittings on page 265, convert fittings and pipe lengths into feet of head.

$$\text{A } \frac{\text{Quantity}}{\text{Quantity}} \times \frac{\text{Fitting Type (Friction Loss)}}{\text{Fitting Type (Friction Loss)}} = \frac{\text{Straight Length of Pipe}}{\text{Straight Length of Pipe}}$$

$$\text{B } \frac{\text{Quantity}}{\text{Quantity}} \times \frac{\text{Pipe}}{\text{Pipe}} = \frac{\text{Straight Length of Pipe}}{\text{Straight Length of Pipe}}$$

EXAMPLE:

A. (4) 2" 90° elbows = 4 x 8.6 = 34.4 feet of 2" pipe

B. 50 feet of 2" pipe = 50 feet

A + B: 34.4 feet + 50 feet = 84.4 feet

Looking at the Friction Flow Chart, 2" pipe at 10 feet per second gives us 100 GPM at 14.4 feet of head. This is figured in 100 foot length of pipe. We multiply .844 times 14.4 = 12.15 feet of head. Or to convert to PSI x .433 = 5.26 PSI loss.

$$\frac{\text{A}}{\text{A}} + \frac{\text{B}}{\text{B}} = \frac{\text{Total Pipe Length}}{\text{Total Pipe Length}}$$

$$\frac{\text{Pipe Length}}{\text{Pipe Length}} \times \frac{\text{Head of Loss for 100 ft. Length}}{\text{Head of Loss for 100 ft. Length}} = \frac{\text{Feet of Head}}{\text{Feet of Head}}$$

**B. Figure Actual Head Loss of Components: (Refer to Head Loss Chart on Page 265)**

Quantity	GPM	Head Loss
_____	_____	_____
_____	_____	_____

EXAMPLE:

1) One 1 1/2" main drain at 50 GPM has 2 feet of head.

2) One 1 1/2" skimmer 50 GPM has 4 feet of head.

Total head loss of components is 6 feet of head.

Total Head Loss of Components: \_\_\_\_\_

**C. Add Head Loss from B and C for Total Resistance Head:**

$$\frac{\text{Resistance of Head Fittings, etc.}}{\text{Resistance of Head Fittings, etc.}} + \frac{\text{Component Head Loss}}{\text{Component Head Loss}} = \text{TDH}$$

EXAMPLE:

12.15 feet of head (from system resistance) + 6 feet of head (from component head loss) = 18.15 feet of head

**D. Total of B and C is TDH (total dynamic head) of system. Convert total head into PSI by multiplying by .433:**

$$\frac{\text{TDH}}{\text{TDH}} \times \frac{.433}{.433} = \frac{\text{PSI}}{\text{PSI}}$$

EXAMPLE:

18.15 feet of head x .433 = 7.86 PSI

(This is the amount of pressure lost in the system)

**E. Add Target PSI from Jet Worksheet (or Line #2) to Total Pressure Loss (PSI) Line D to find Total Pressure Required and Total Dynamic Head of System:**

$$\frac{\text{Jets PSI Required}}{\text{Jets PSI Required}} + \frac{\text{System PSI Required}}{\text{System PSI Required}} = \frac{\text{Total PSI Required}}{\text{Total PSI Required}}$$

EXAMPLE:

14 PSI (Required for jets) + 7.86 PSI (Required for system) = 21.86 PSI

**F. Match appropriate pump by looking at pump curves.**

EXAMPLE:

At 22 PSI (or 50 feet of head) at 100 GPM, you can use The Executive 1 HP Pump or a 2 HP Hi-Flo Side Discharge Pump



Friction loss of water in feet of head per 100 foot length of pipe.

U.S. Gal. per Min.	3/4 PIPE			1 PIPE			1 1/4 PIPE			1 1/2 PIPE			2 PIPE			2 1/2 PIPE			3 PIPE			
	Vel. Ft. per Sec.	Loss in Feet	Loss in PSI	Vel. Ft. per Sec.	Loss in Feet	Loss in PSI	Vel. Ft. per Sec.	Loss in Feet	Loss in PSI	Vel. Ft. per Sec.	Loss in Feet	Loss in PSI	Vel. Ft. per Sec.	Loss in Feet	Loss in PSI	Vel. Ft. per Sec.	Loss in Feet	Loss in PSI	Vel. Ft. per Sec.	Loss in Feet	Loss in PSI	
1	.60	.25	.11	.37	.07	.03	.....	.....	.....	.....	.....	.....	.....	.....	.....	.....	.....	.....	.....	.....	.....	.....
2	1.20	.90	.39	.74	.28	.12	.43	.07	.03	.....	.....	.....	.....	.....	.....	.....	.....	.....	.....	.....	.....	.....
3	1.80	1.92	.83	1.11	.60	.26	.64	.16	.07	.47	.07	.03	.....	.....	.....	.....	.....	.....	.....	.....	.....	.....
4	2.41	3.28	1.42	1.48	1.02	.44	.86	.25	.11	.63	.12	.05	.....	.....	.....	.....	.....	.....	.....	.....	.....	.....
5	3.01	5.8	2.51	1.86	1.52	.65	1.07	.39	.17	.79	.18	.08	.....	.....	.....	.....	.....	.....	.....	.....	.....	.....
6	3.61	7.0	3.0	2.33	2.15	.93	1.29	.55	.24	.95	.25	.11	.57	.07	.03	.....	.....	.....	.....	.....	.....	.....
8	4.81	11.8	5.1	2.97	3.6	1.56	1.72	.97	.42	1.25	.46	.2	.76	.14	.06	.54	.05	.02	.....	.....	.....	.....
10	6.02	17.9	7.75	3.71	5.5	2.4	2.15	1.46	.63	1.58	.69	.3	.96	.21	.09	.67	.09	.04	.....	.....	.....	.....
15	9.02	37.8	16.37	5.57	11.7	5.07	3.22	3.07	1.33	2.36	1.45	.63	1.43	.44	.19	1.01	.18	.08	.65	.07	.03	.....
20	.....	.....	.....	7.42	19.9	8.62	4.29	4.2	1.82	3.15	2.47	1.07	1.91	.74	.32	1.34	.30	.13	.87	.12	.05	.....
25	.....	.....	.....	9.28	30.0	13.0	5.36	7.9	3.42	3.94	3.8	1.6	2.39	1.11	.05	1.67	.46	.2	1.08	.16	.07	.....
30	.....	.....	.....	11.14	42.0	18.19	6.43	11.1	4.8	4.73	5.2	2.3	2.87	1.55	.67	2.01	.65	.28	1.30	.23	.1	.....
35	.....	.....	.....	.....	.....	.....	7.51	14.7	6.37	5.52	7.0	3.03	3.35	2.06	.89	2.35	.88	.38	1.52	.30	.13	.....
40	.....	.....	.....	.....	.....	.....	8.58	18.9	8.2	6.30	8.9	3.9	3.82	2.63	1.14	2.64	1.11	.48	1.73	.39	.17	.....
45	.....	.....	.....	.....	.....	.....	9.65	23.5	10.18	7.09	11.1	4.8	4.30	3.28	1.4	3.01	1.39	.6	1.95	.48	.21	.....
50	.....	.....	.....	.....	.....	.....	10.72	28.5	12.3	7.88	13.5	5.8	4.78	4.0	1.7	3.35	1.69	.73	2.17	.58	.25	.....
60	.....	.....	.....	.....	.....	.....	.....	.....	.....	.....	18.9	8.18	5.74	5.6	2.4	4.02	2.36	1.02	2.60	.81	.35	.....
70	.....	.....	.....	.....	.....	.....	.....	.....	.....	11.03	25.1	10.9	6.69	7.4	3.2	4.69	3.14	1.36	3.04	1.09	.47	.....
80	.....	.....	.....	.....	.....	.....	.....	.....	.....	.....	.....	.....	7.65	9.5	4.1	5.35	4.0	1.73	3.47	1.39	.6	.....
90	.....	.....	.....	.....	.....	.....	.....	.....	.....	.....	.....	.....	8.60	11.8	5.1	6.03	5.0	2.2	3.91	1.73	.75	.....
100	.....	.....	.....	.....	.....	.....	.....	.....	.....	.....	.....	.....	9.56	14.4	6.3	6.70	6.1	2.64	4.34	2.10	1.9	.....
120	.....	.....	.....	.....	.....	.....	.....	.....	.....	.....	.....	.....	11.95	21.8	9.4	8.38	9.2	4.0	5.42	3.19	1.38	.....
150	.....	.....	.....	.....	.....	.....	.....	.....	.....	.....	.....	.....	.....	.....	.....	10.05	12.8	5.5	6.51	4.5	1.95	.....
175	.....	.....	.....	.....	.....	.....	.....	.....	.....	.....	.....	.....	.....	.....	.....	.....	.....	.....	7.59	5.9	2.55	.....
200	.....	.....	.....	.....	.....	.....	.....	.....	.....	.....	.....	.....	.....	.....	.....	.....	.....	.....	8.68	7.9	3.4	.....
225	.....	.....	.....	.....	.....	.....	.....	.....	.....	.....	.....	.....	.....	.....	.....	.....	.....	.....	9.76	9.4	4.07	.....
250	.....	.....	.....	.....	.....	.....	.....	.....	.....	.....	.....	.....	.....	.....	.....	.....	.....	.....	10.85	11.5	4.99	.....
275	.....	.....	.....	.....	.....	.....	.....	.....	.....	.....	.....	.....	.....	.....	.....	.....	.....	.....	.....	.....	.....	.....
300	.....	.....	.....	.....	.....	.....	.....	.....	.....	.....	.....	.....	.....	.....	.....	.....	.....	.....	.....	.....	.....	.....
325	.....	.....	.....	.....	.....	.....	.....	.....	.....	.....	.....	.....	.....	.....	.....	.....	.....	.....	.....	.....	.....	.....

AWG Wire Size												
Amps	14		12		10		8		6		4	
	115 Volts	230 Volts	115 Volts	230 Volts	115 Volts	230 Volts	115 Volts	230 Volts	115 Volts	230 Volts	115 Volts	230 Volts
2	595	1190	946	1891	1479							
3	397	794	630	1261	986							
4	298	595	470	946	740	1479	1161		1808			
5	238	476	378	756	592	1184	926	1858	1447			
6	198	397	315	630	493	986	774	1548	1206	2411	1842	
7	170	340	270	540	423	845	663	1327	1033	2067	1579	
8	149	293	236	473	370	740	581	1161	904	1808	1381	2763
9	132	265	210	420	329	658	516	1032	804	1607	1228	2456
10	119	238	189	376	296	592	464	929	723	1447	1105	2210
12	99	198	158	315	247	493	387	774	603	1206	921	1842
14			135	270	211	423	332	663	517	1033	789	1579
16			118	236	185	370	290	581	452	904	691	1381
18					164	329	258	516	402	804	614	1228
20					148	296	232	464	362	723	553	1105
22					134	269	211	422		658		1005
24					123	247	194	387		603		921
26								357		556		850
28								332		517		789
30								310		482		737
35								265		413		632
40										362		553
45										321		491
50										239		442



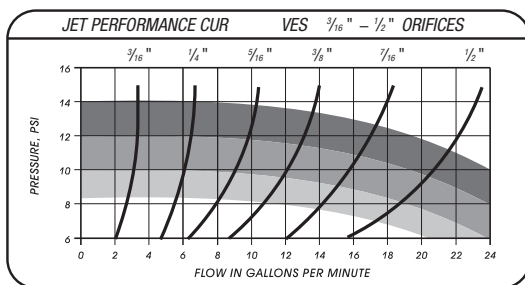
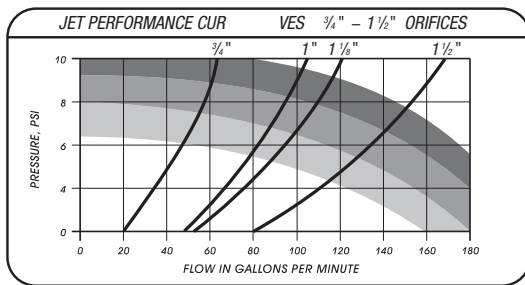


Friction Loss in Fittings									
SIZE FITTING	½"	¾"	1"	1¼"	1½"	2"	2½"	3"	4"
Gate Valve (Full Open)	0.6	0.7	0.9	1.2	1.3	1.6	1.7	2.0	2.7
Elbow - 90°	3.6	4.5	5.3	6.7	7.5	8.6	9.3	11.1	13.1
Elbow - 45°	0.7	0.9	1.4	1.8	2.2	2.8	3.2	4.1	5.6
Tee (Straight Thru)	1.8	2.5	3.3	4.7	5.7	7.8	9.3	12.1	17.1
Tee (Thru Side)	4.3	5.4	6.7	8.8	10.0	12.1	13.0	17.1	21.2
Swing Check Valve	8.1	8.9	11.2	13.1	15.2	19.1	22.0	27.1	38.2

Head Loss Charts								
Component	GPM	Head Loss (ft.)	Component	GPM	Head Loss (ft.)	Cartridge Filters	GPM (.75)	Head Loss (ft.)
Main Drain 1½" Outlet	20	0.5	Skimmer 1½" Outlet	20	1.0	25 sq. ft.	18.75	1.1
Main Drain 1½" Outlet	30	1.0	Skimmer 1½" Outlet	30	2.0	35 sq. ft.	26.25	2.0
Main Drain 1½" Outlet	40	1.5	Skimmer 1½" Outlet	40	3.0	50 sq. ft.	37.50	4.3
Main Drain 1½" Outlet	50	2.0	Skimmer 1½" Outlet	50	4.0	70 sq. ft.	52.50	7.5
Main Drain 1½" Outlet	60	2.5	Skimmer 1½" Outlet	60	5.5	75 sq. ft.	56.25	8.0
						100 sq. ft.	75.00	17.5
Main Drain 2" Outlet	40	1.0	Skimmer 2" Outlet	20	0.5			
Main Drain 2" Outlet	50	1.5	Skimmer 2" Outlet	30	1.0			
Main Drain 2" Outlet	60	2.0	Skimmer 2" Outlet	40	2.0			
Main Drain 2" Outlet	70	3.0	Skimmer 2" Outlet	50	3.0			
Main Drain 2" Outlet	80	4.0	Skimmer 2" Outlet	60	4.0			
			Skimmer 2" Outlet	70	5.0			
Heater	--	7.0 avg.	Skimmer 2" Outlet	80	6.0			

### Jet Flow Data

Jet orifices sized from ¾" to 1½" work better at a lower PSI. Use legend to size properly.



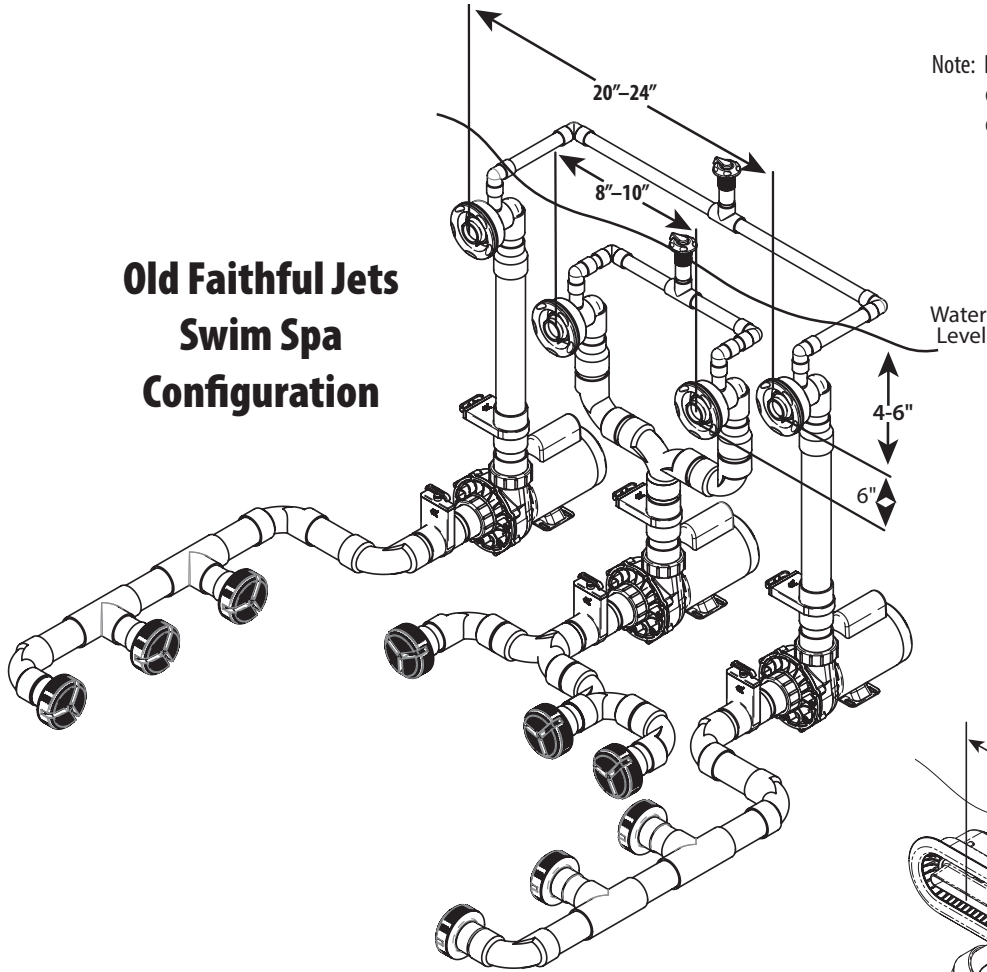
**LEGEND:**  
 WEAK  
 MODERATE  
 STRONG

JET FLOW CHART				
NOZZLE ORIFICE SIZE	PSI			GPM
	10	15	20	
3/16"	3	4	5	GPM
1/4"	6	7	8	GPM
5/16"	9	10	12	GPM
3/8"	13	16	18	GPM
7/16"	17	19	22	GPM
1/2"	24	29	33	GPM
3/4"	63	65	75	GPM
1"	95	116	134	GPM
1 1/8"	120	147	170	GPM
1 1/2"	213	260	301	GPM



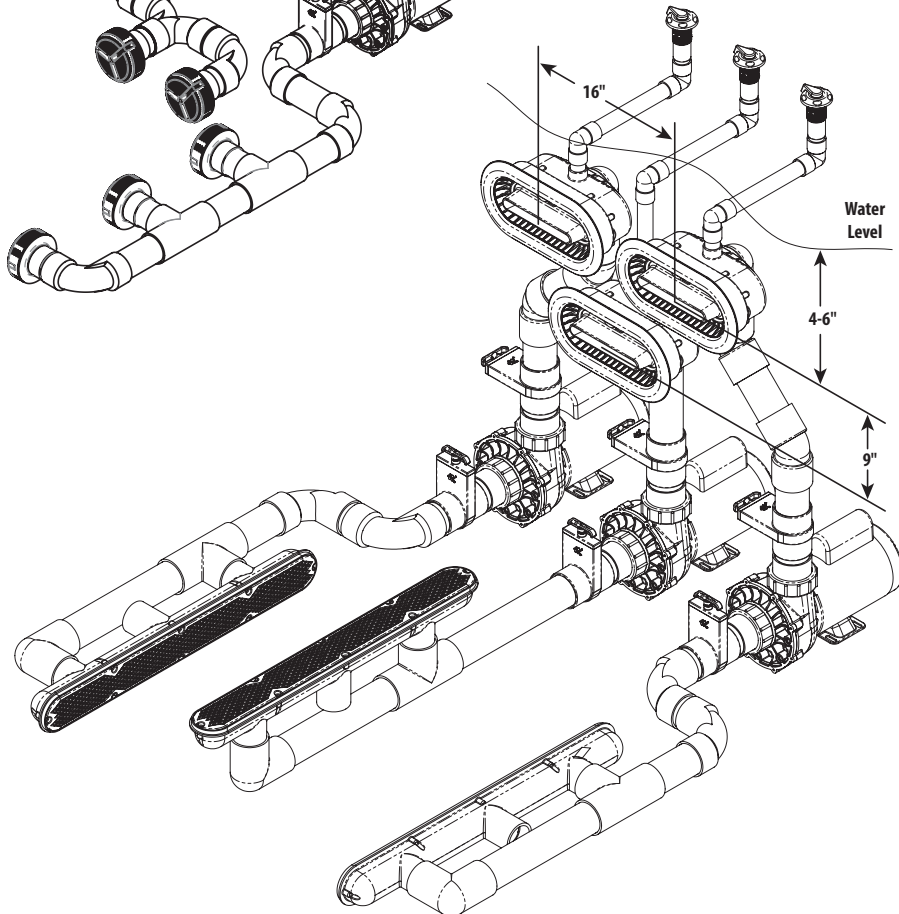
# SWIM SPA CONFIGURATIONS

**Old Faithful Jets  
Swim Spa  
Configuration**



Note: Dimensions represent sample configuration only. Various custom configurations are possible.

**River Jets  
Swim Spa  
Configuration**

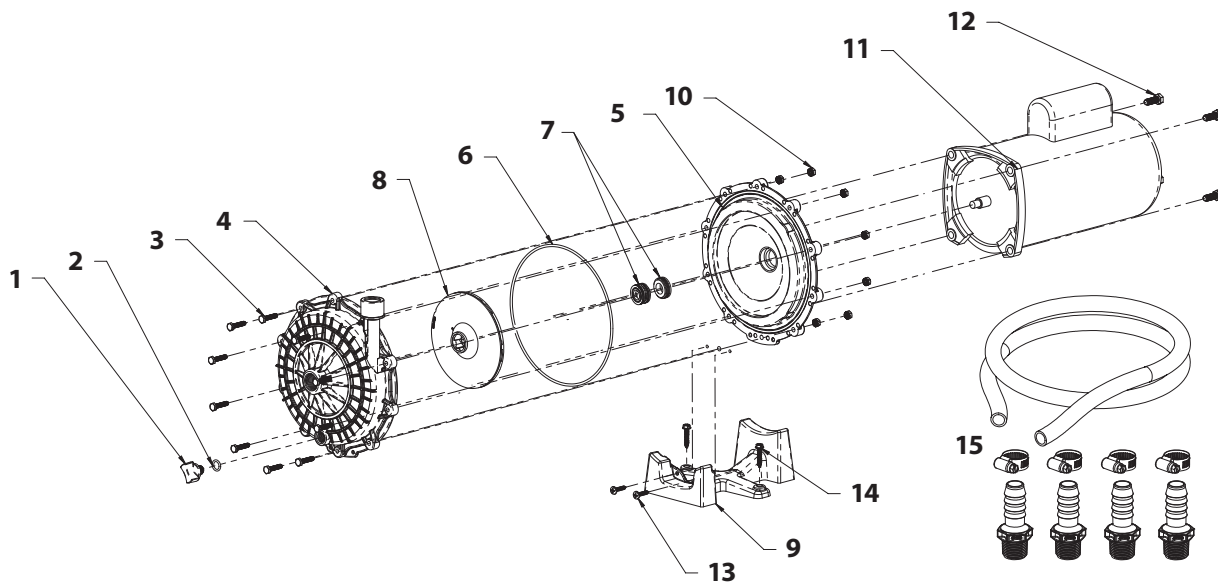




# Replacement Parts



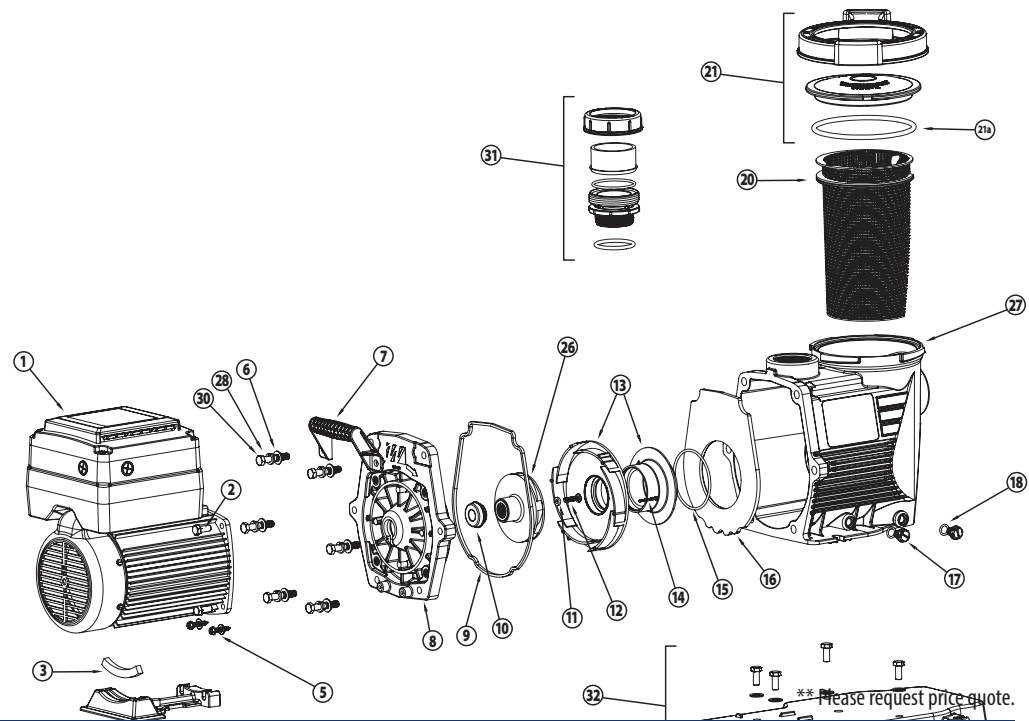
## Replacement Parts / Power Defender Booster Pump



### Power Defender Booster Pump Replacement Parts

Item	Part No.	Description
1	<b>715-8400B</b>	Drain Plug $\frac{3}{8}$ " Booster Pump
2	<b>805-0112B</b>	O-Ring, #2-112, .487 I.D. X .103 W
3	<b>819-2590B</b>	Bolt, Hex Hd, 1/4"-20 UNC X 1- $\frac{1}{8}$ " LG SS (19)
4	<b>315-8300B</b>	Volute Booster Pump
5	<b>311-8300B</b>	Seal Plate Booster Pump
6	<b>805-0268B</b>	O Ring #268 (2)
7	<b>319-3290B</b>	Pump Seal Set (811-4020A, 811-4020B)
8	<b>310-8400B</b>	$\frac{3}{4}$ HP Impeller Booster Pump Impeller
9	<b>672-1380B</b>	Motor Mount, Booster Pump
10	<b>820-0013B</b>	Hex Nut, Serated 1/4-20-Sand Filter (19)
11	<b>SG3P10430-1</b>	Booster Pump Motor
12	<b>819-0011B</b>	Screw, $\frac{3}{8}$ "-16 X 1 Hex Cap Head, Pool Pump (4)
13	<b>819-0800B</b>	Screw, #12 X 1.00" Lg, Type AB, Self-tapping, Pnhd, Phil. (2)
14	<b>819-0013B</b>	Screw Slot Hex Washer $\frac{1}{4}$ " X 1- $\frac{1}{4}$ " (2)
15	<b>550-8700B</b>	Hose, Fitting And Clamp Kit (4)

\*\* Please request price quote.

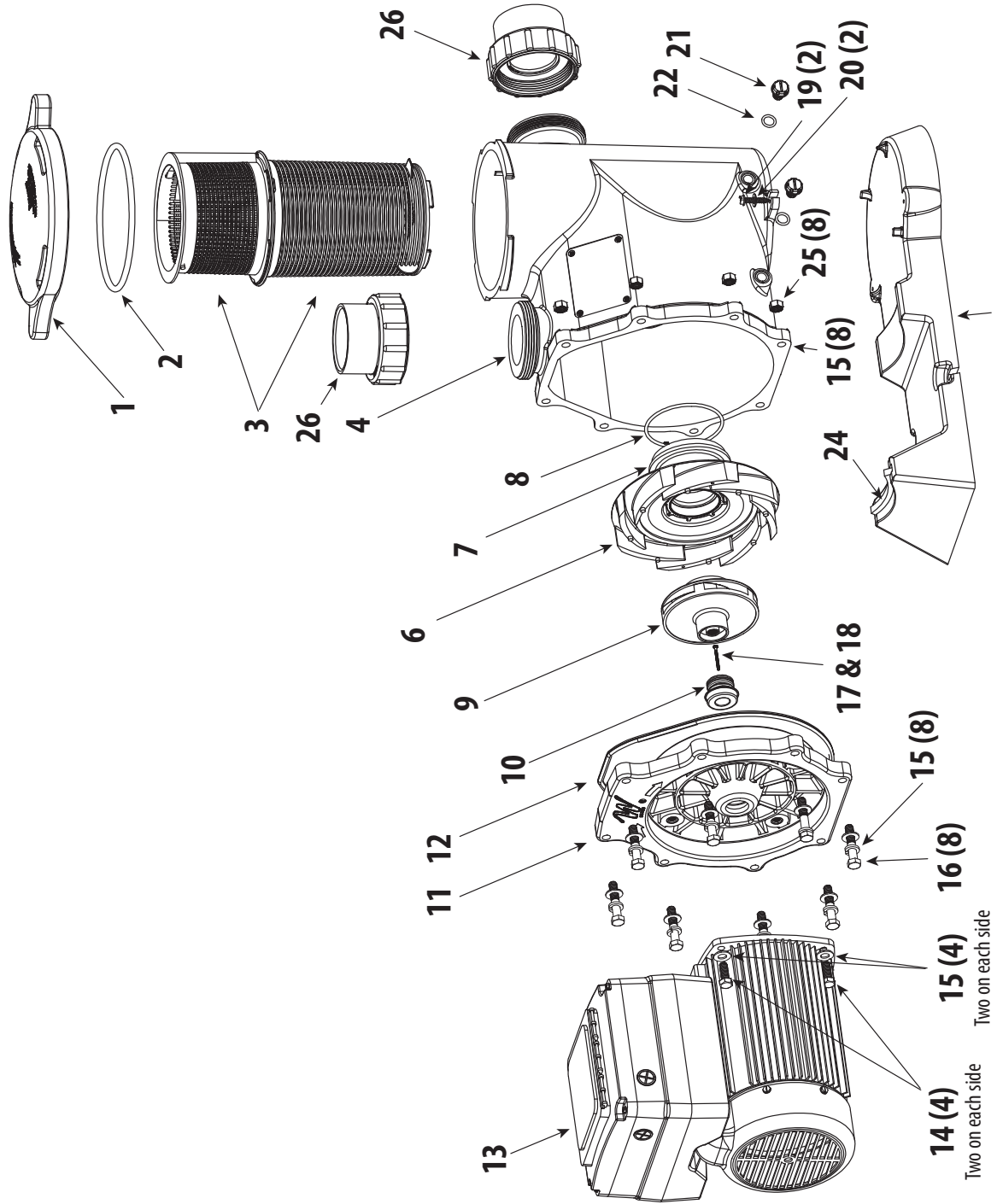


**Power Defender Pumps Replacement Parts**

Item	Part No.	Description
1	<b>MC-2-05</b>	1.10 HP Motor
	<b>MC-4-01</b>	1.40 HP Motor
	<b>MC-4-02</b>	1.65 HP Motor
	<b>MC-4-03</b>	2.25 HP Motor
	<b>MC-4-04</b>	2.70 HP Motor
	<b>MC-4-05</b>	3.50 HP Motor
2	<b>819-0035B</b>	Bolt .375-16 x .875 Long
3	<b>672-1350B</b>	Motor Support Supra Max
4	<b>319-1500B</b>	Motor Base
5	<b>819-0013B</b>	Screw Slot Hex Washer ¼" x 1 ¼"
6	<b>820-0017B</b>	⅜" Flat Washer Type B, Pool Pumps
7	<b>319-1700B</b>	Handle
8	<b>311-1450B</b>	Face Plate
9	<b>806-1400B</b>	Gasket, Face Plate
10	<b>319-3100B</b>	Pump Seal Set-Viton
11	<b>711-4300B</b>	Washer, Impeller
12	<b>819-4360B</b>	Screw Phil. Pan Head Left Hand ¼-20 x 1"
13	<b>310-7470B</b>	Diffuser Assy
14	<b>819-0018B</b>	#4-40 Uncs Bolt Schs
15	<b>805-0238B</b>	O-Ring-238
16	<b>319-1420B</b>	Diffuser Plate
17	<b>715-1201B</b>	⅜" Quarter Slot Plug (Sd Wet End)
18	<b>805-0014B</b>	O-Ring, -014
20	<b>319-1430B</b>	Basket Assy
21	<b>319-4100B</b>	Lid & Nut & O-ring - 6" Trap
21a	<b>805-0436B</b>	O-Ring - 6" Trap Lid
26	--	Upr Impeller Assy
27	<b>319-1630B</b>	Pump Housing - 2" x 2" Npt
28	<b>820-0017-1B</b>	⅜" Washer, Split Lock
30	<b>819-0016B</b>	⅜"-16 x 2" Lg Hex Head
31	<b>400-1431-2B</b>	Self Aligning Pump Union Assy



# Replacement Parts / Power Defender SVL Pump



Replacement Parts





**Power Defender SVL 270 Pump Replacement Parts**

Item	Part No.	Description
1	<b>511-1310B</b>	Trap Lid
2	<b>805-0439B</b>	Trap Lid O-Ring
3	<b>319-1310B</b>	Basket Assembly
4	<b>315-1300B</b>	Volute Housing
6	<b>310-3300B</b>	Diffuser - High-Flow
7	<b>805-0238B</b>	Diffuser O-Ring
8	<b>819-0018B</b>	Diffuser Screw (2 required)
9	<b>310-3650B</b>	SVL56E-110, SVL56S-107, SVL56S-110, SVL56S-210 Impeller Assembly - High-Flow
	<b>310-3660B</b>	SVL56E-115, SVL56S-115, SVL56S-215 Impeller Assembly - High-Flow
	<b>310-3670B</b>	SVL56E-120, SVL56S-120, SVL56S-125 Impeller Assembly - High-Flow
	<b>310-3680B</b>	SVL56E-130 Impeller Assembly - High-Flow
10	<b>319-3100B</b>	Pump Seal Set - Viton (replaces 319-3110B)
11	<b>311-1400B</b>	Volute Faceplate
12	<b>711-4290B</b>	Faceplate Gasket
13	–	Motor
14	<b>819-0011B</b>	Screw - 3/8" - 16 x 1/8" (4 required)
15	<b>820-0017B</b>	3/8" Flat Washer (12 required)
16	<b>820-0016B</b>	3/8" 16-Fin Serrated Hex Nut
17	<b>819-4360B</b>	Screw Head Left Hand Thread
18	<b>711-4300B</b>	SVL Gasket for Left Hand Screw
19	<b>819-0013B</b>	Screw (2 required)
20	<b>820-0018B</b>	Flat Washer (2 required)
21	<b>715-1201B</b>	3/8" Quarter Slot Drain Plug
22	<b>805-0112B</b>	Drain Plug O-Ring
23	<b>672-1300B</b>	SVL56 Base
24	<b>672-1310B</b>	Motor Support Strip
25	<b>819-0016B</b>	Screw (8 required)
26	<b>400-5111</b>	Pump Unions (2 required)

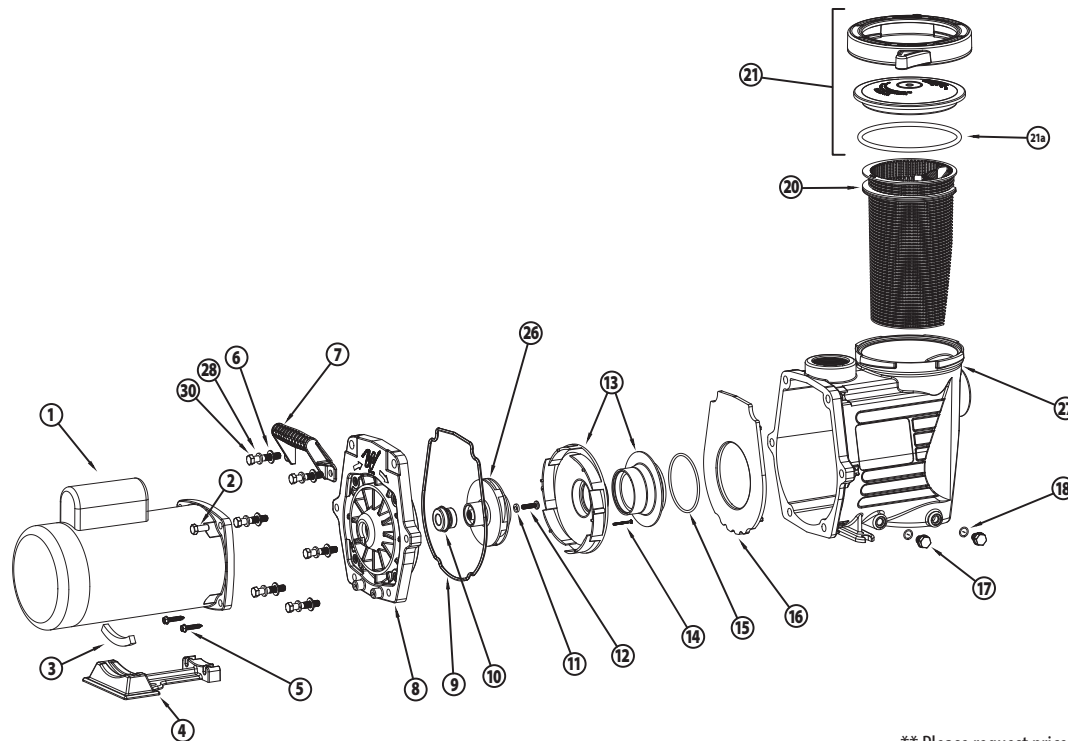
**Pump Union Replacement Parts**

Item	Part No.	Description
1	<b>415-6001B</b>	2 1/2" Union Nut - Black
2	<b>417-5971B</b>	2" Tailpiece for 2 1/2" Union Nut - O-Ring Black
2	<b>417-6001B</b>	2 1/2" S Tailpiece - Black
3	<b>711-6020B</b>	Gasket , 2 1/2" Union Heater

\*\* Please request price quote.



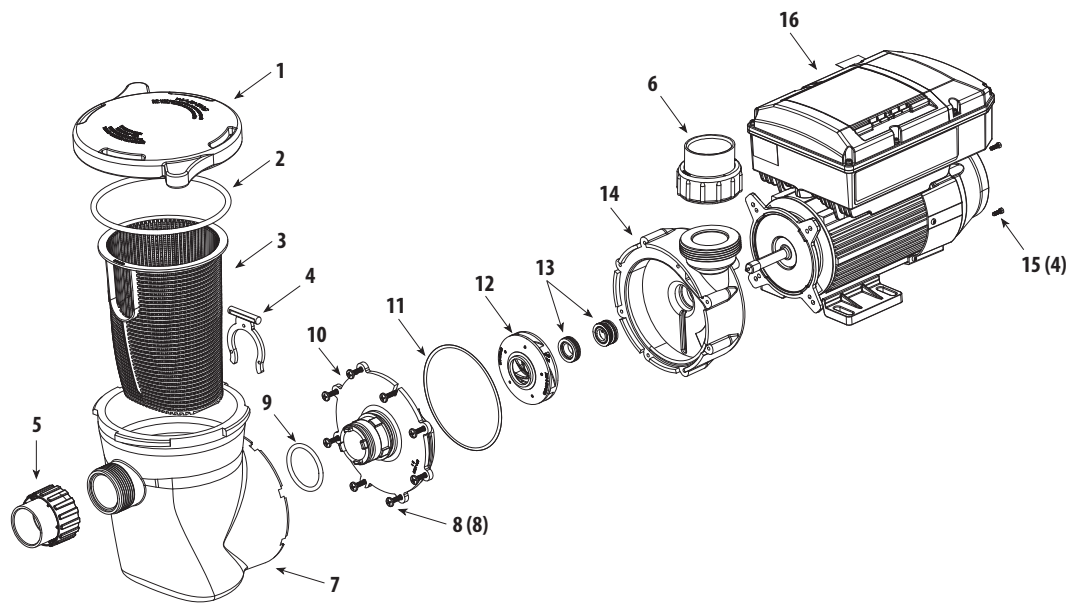
## Replacement Parts / Champion 56-Frame Pump (Discontinued 2021)



\*\* Please request price quote.

### Champion 56-Frame Pump Replacement Parts

Item	Part No.	Description
1		Motor, 56 Frame Variable Spd 230V
2	<b>819-0035B</b>	Bolt .375-16 x .875 Long
3	<b>672-1350B</b>	Neoprene Motor Support Strip
4	<b>319-1500B</b>	Motor Support Base
5	<b>819-0013B</b>	Screw Slot Hex Washer 1/4" x 1 1/4"
6	<b>820-0017B</b>	3/8" Flat Washer Type B, Pool Pumps
7	<b>319-1700B</b>	Handle
8	<b>311-1450B</b>	Face Plate
9	<b>806-1400B</b>	Gasket, Face Plate
10	<b>319-3100B</b>	Pump Seal Set-Viton
11	<b>711-4300B</b>	Washer, Impeller
12	<b>819-4360B</b>	Screw Phil. Pan Head Left Hand 1/4-20 x 1"
13	<b>310-7470B</b>	Diffuser Assy
14	<b>819-0018B</b>	#4-40 Uncs Bolt Schs
15	<b>805-0238B</b>	O-Ring-238
16	<b>319-1420B</b>	Diffuser Plate
17	<b>715-1201B</b>	3/8" Quarter Slot Plug (Sd Wet End)
18	<b>805-0014B</b>	O-Ring, -014
20	<b>319-1430B</b>	Basket Assy
21	<b>319-4100B</b>	Lid & Nut & O-ring - 6" Trap
21a	<b>805-0436B</b>	O-Ring - 6" Trap Lid
26	<b>310-7400B</b>	CHAMPS-107 Impeller Assembly
	<b>310-7410B</b>	CHAMPE-107/CHAMPS-110/CHAMPS-210 Impeller Assy
	<b>310-7420B</b>	CHAMPE-110/CHAMPS-115/CHAMPS-210 Impeller Assy
	<b>310-7430B</b>	CHAMPE-115/CHAMPS-120/CHAMPS-220 Impeller Assy
	<b>310-7440B</b>	CHAMPE-120/CHAMPS-125/CHAMPS-225 Impeller Assy
	<b>310-7450B</b>	CHAMPE-130 Impeller Assembly
27	<b>315-1400B</b>	Pump Housing - 2" x 2" Npt
28	<b>820-0017-1B</b>	3/8" Washer Split Lock
30	<b>819-0016B</b>	3/8"-16 x 2" Lg Hex Head



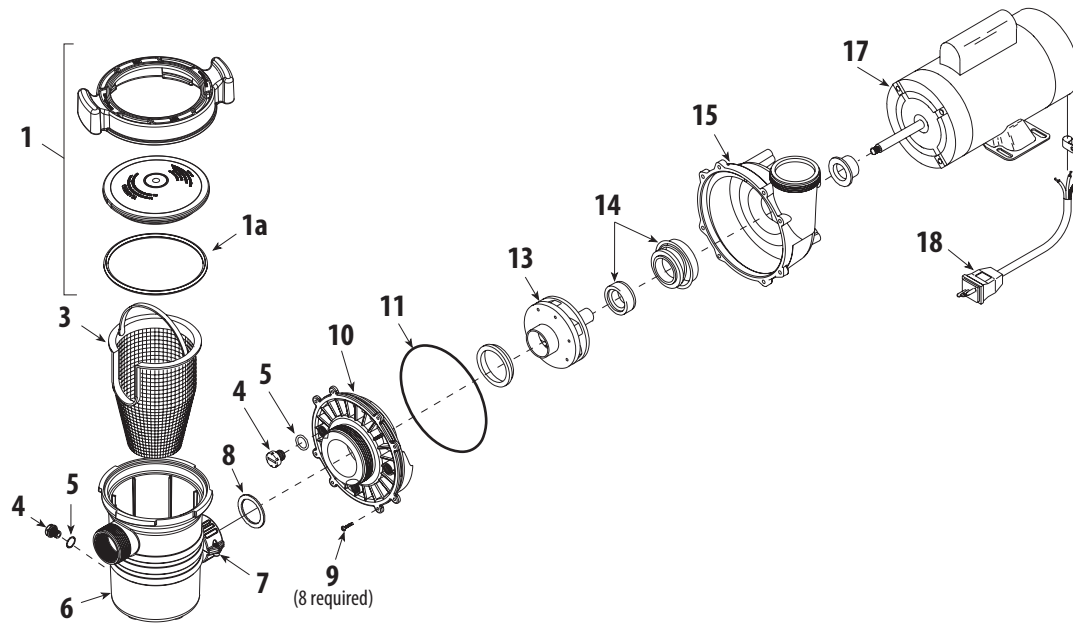
\*\* Please request price quote.

### Power Defender 140 ABG Pump Replacement Parts

Item	Part No.	Description
1	<b>511-1310</b>	Lid Trap SVL56
2	<b>805-0439</b>	O-Ring #439 BN50- SVL/Mustang Pool Pump Lid
3	<b>319-1530</b>	Supreme Trap Basket
4	<b>319-1540</b>	C-Clip Supreme Pool Pump
5	<b>400-4060-2B</b>	#7 Union Assy
6	<b>400-4060-2B</b>	#7 Union Assy
7	<b>319-1511</b>	Supreme Pump Trap Body Assembly
8	<b>819-0800B</b>	Screw#12x1" Self Tapping Pan Head Philips
9	<b>805-0330</b>	O-Ring #330 BN50 2.10 ID X 2.10
10	<b>311-1520B</b>	Faceplate
11	<b>805-0001-SPLB</b>	O-Ring #2-330
12	<b>310-5090</b>	1HP Impeller Assy
13	<b>319-3090B</b>	Pump Seal Kit
14	<b>314-1510</b>	Supreme Wet End-Less Impeller
15	<b>819-0501</b>	Machine Screw 8/32 x 1/2"
16	<b>3POV514</b>	Motor- 1.4 variable speed for above ground



## Replacement Parts / Hi-Flo & Hi-Flo II Side Discharge Pump



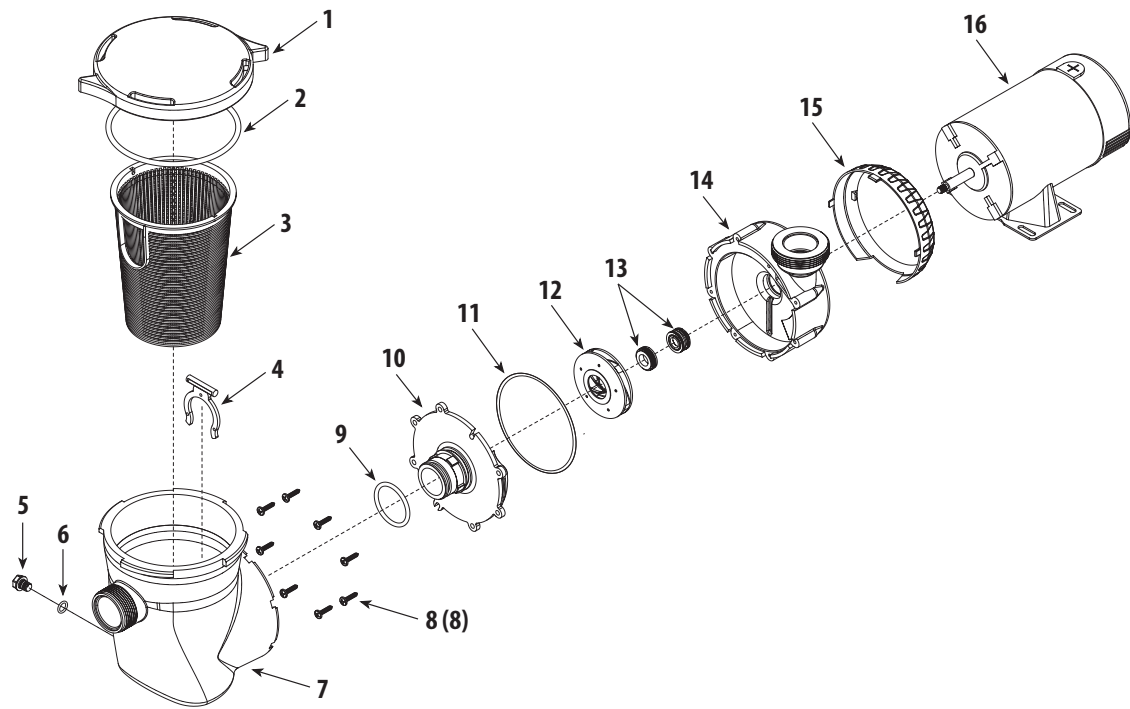
### Hi-Flo Side Discharge Pump Replacement Parts

Item	Part No.	Description
1	<b>319-4100</b>	Lid & Nut & O-ring - 6" Trap
1a	<b>805-0436B</b>	O-Ring - 6" Trap Lid
3	<b>319-3230B</b>	6" Trap Basket Assembly with Handle
4	<b>715-1201B</b>	$\frac{3}{8}$ " Quarter Slot Drain Plug
5	<b>805-0112B</b>	O-Ring - Drain Plug
6	<b>319-2170B</b>	6" Trap Body - 1 1/2" FPT/ 1 1/2" Buttress x 2" Union Flange
7	<b>400-5161B</b>	2" Split Nut with Screw
8	<b>711-4010B</b>	2" Union Gasket
9	<b>819-1110B</b>	Screw (8 required)
10	<b>311-2140B</b>	2" Intake Side Discharge Faceplate
11	<b>805-0256B</b>	O-Ring - Faceplate
13	<b>310-3990B</b>	$\frac{3}{4}$ HP Impeller Assembly
	<b>310-4000B</b>	1 HP Impeller Assembly
	<b>310-4010B</b>	1 1/2 HP Impeller Assembly
	<b>310-4030B</b>	2 HP Impeller Assembly
14	<b>319-3100B</b>	Pump Seal Kit - Viton
15	<b>315-2500B</b>	Volute Housing - Side Discharge
17	--	Motor
18	<b>741-CGGZ-67RB</b>	3 ft. Electrical Cord - Regular Plug
	<b>741-CGGZ-37LB</b>	3 ft. Electrical Cord - Twist-Lock Plug

### Hi-Flo II Side Discharge Pump Replacement Parts

Item	Part No.	Description	List (US \$)
4	<b>715-4020B</b>	$\frac{3}{8}$ " Quarter Slot Drain Plug	2.96
10	<b>311-2170B</b>	2" Intake Side Discharge Faceplate	40.53
11	<b>805-0158B</b>	O-Ring - Faceplate	**
13	<b>310-8000B</b>	$\frac{1}{2}$ HP Impeller Assembly	30.87
	<b>310-8010B</b>	$\frac{3}{4}$ HP Impeller Assembly	31.04
	<b>310-8020B</b>	1 HP Impeller Assembly	30.87
	<b>310-8030B</b>	1 1/2 HP Impeller Assembly	31.04
	<b>310-8040B</b>	2 HP Impeller Assembly	30.99
14	<b>319-3090B</b>	Pump Seal Kit - Viton	26.10
15	<b>315-2520B</b>	Volute Housing - Side Discharge	**

\*\* Please request price quote.



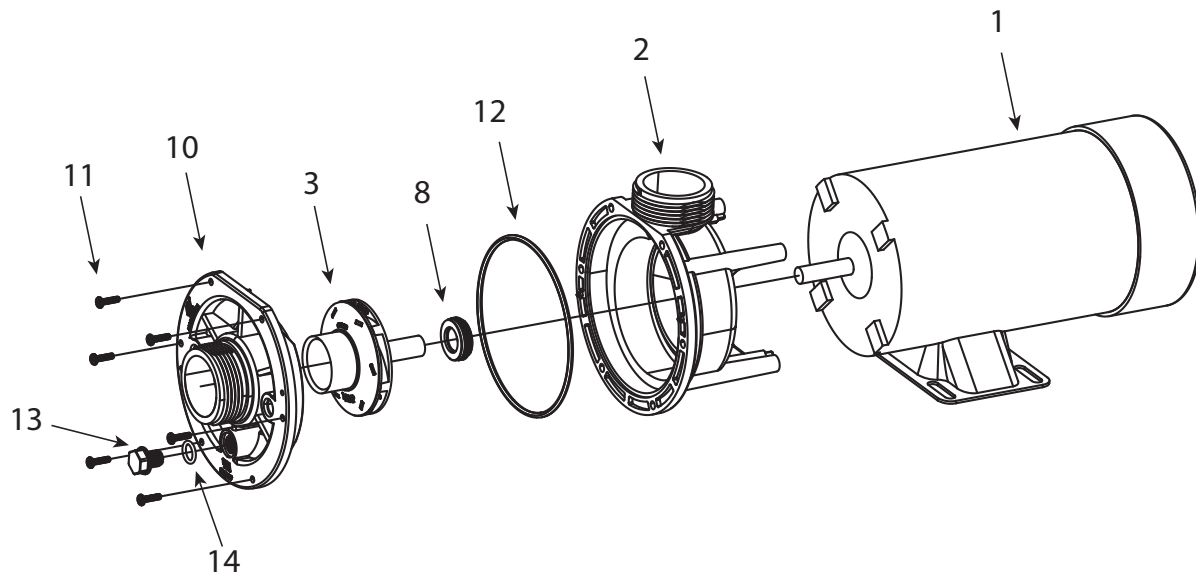
### Supreme Pump Replacement Parts

Item	Part No.	Description
1	<b>511-1310B</b>	Trap Lid
2	<b>805-0439B</b>	O-Ring #439
3	<b>319-1530B</b>	Trap Basket
4	<b>319-1540B</b>	C-Clip
5	<b>715-1201B</b>	3/8" Quarter Slot Drain Plug
6	<b>805-0112B</b>	O-Ring - Drain Plug
7	<b>319-1510B</b>	Trap Body
8	<b>819-0800B</b>	Screw #12 x 1" Self-Tapping Pan Head Phillips (8 required)
9	<b>805-0330B</b>	O-Ring #2-330
10	<b>311-1520B</b>	Faceplate
11	<b>805-0001-SPLB</b>	O-Ring Face Plate Volute
12	<b>310-5080B</b>	3/4 HP Impeller Assembly
	<b>310-5090B</b>	1 HP Impeller Assembly
	<b>310-5100B</b>	1 1/2 HP Impeller Assembly
13	<b>319-3090B</b>	Pump Seal Kit
14	<b>315-1510B</b>	Volute
15	<b>319-1550B</b>	Volute Cosmetic Cover
16	--	Motor
17	<b>741-CGGZ-67RB</b>	3 ft. Electrical Cord - Regular Plug
18	<b>741-CGGZ-37LB</b>	3 ft. Electrical Cord - Twist-lock Plug

\*\* Please request price quote.



## Replacement Parts / E-Series Center Discharge Pump

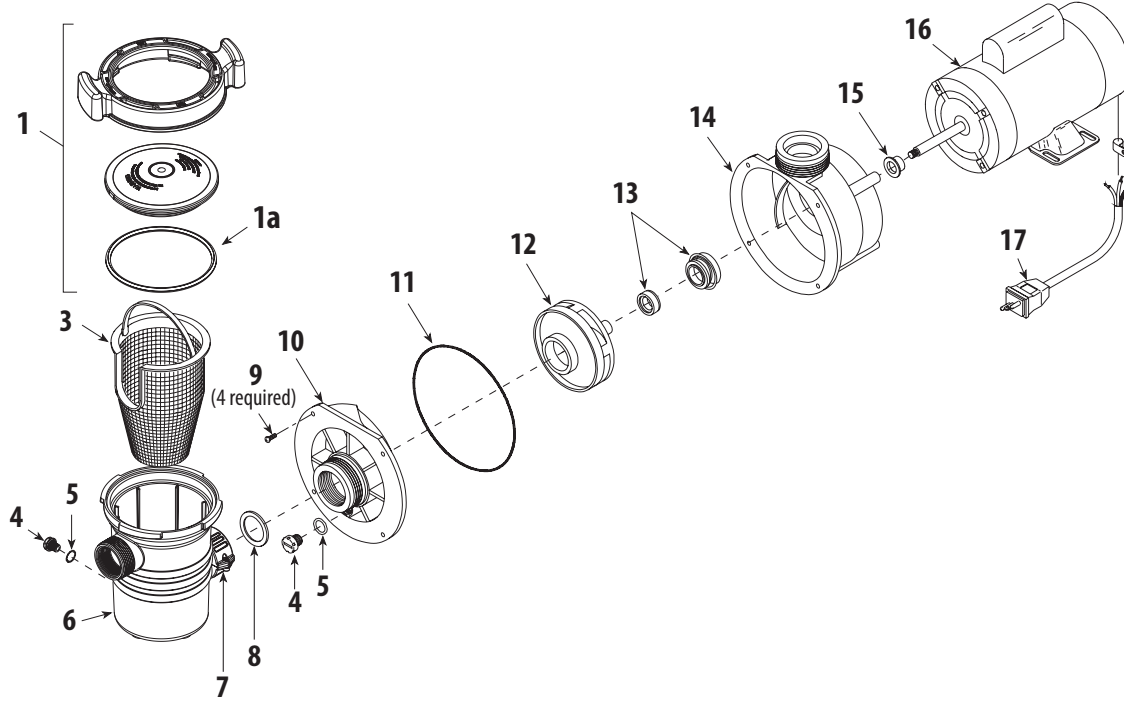


### E-Series Center Discharge Pump Replacement Parts

Item	Part No.	Description
2	<b>315-1070B</b>	Volute - Spa & Bath - Center Discharge
3	<b>310-8000B</b>	½ HP Impeller Assembly
	<b>310-8010B</b>	¾ HP Impeller Assembly
	<b>310-8020B</b>	1 HP Impeller Assembly
	<b>310-8030B</b>	1½ HP Impeller Assembly
	<b>310-8040B</b>	2 HP Impeller Assembly
8	<b>319-3090B</b>	Pump Seal Kit
10	<b>311-1070B</b>	Faceplate - Spa - Center Discharge Wet End
11	<b>819-1110B</b>	Screw - #8 - 32 x ⅝" PPH 18-8
12	<b>805-0252B</b>	O-Ring - #265 - Sand Filter Valve
13	<b>715-1201B</b>	⅜" Quarter Slot Plug (SD Wet End)
14	<b>805-0112B</b>	O-Ring - #112 Pump Drain Plug



## Replacement Parts / Center Discharge Pump (2010 and Earlier)

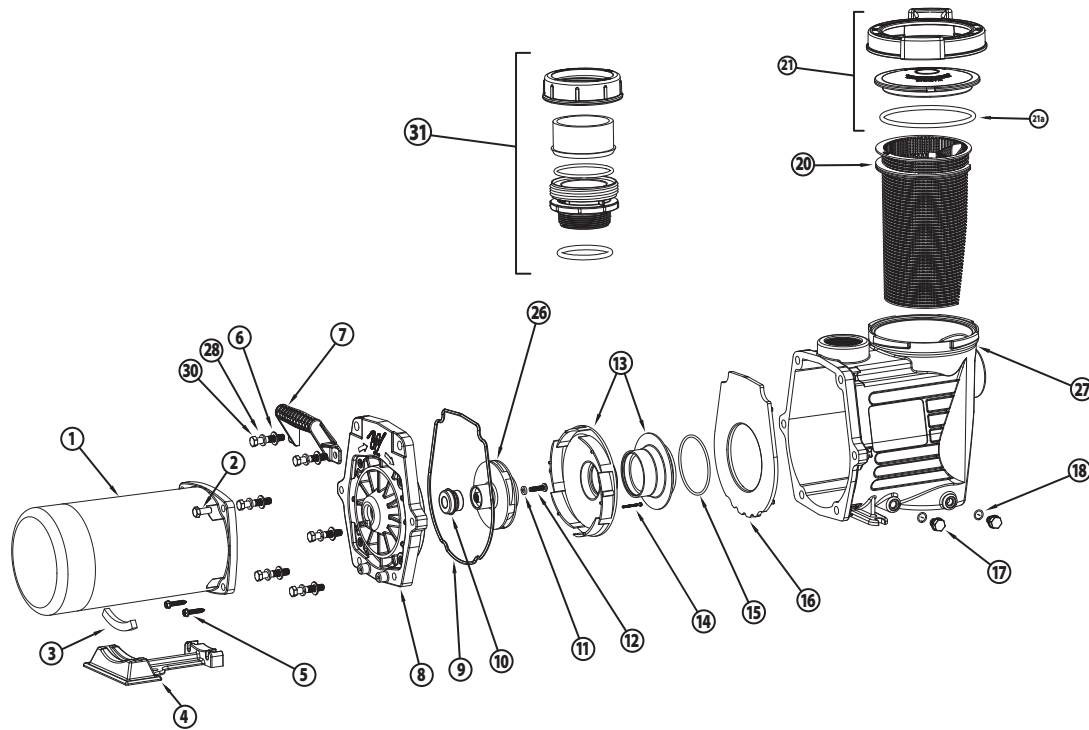


### Center Discharge Pump Replacement Parts

Item	Part No.	Description
1	<b>319-4100B</b>	Lid & Nut & O-ring - 6" Trap
1a	<b>805-0436B</b>	O-Ring - 6" Trap Lid
3	<b>319-3230B</b>	6" Trap Basket Assembly with Handle
4	<b>715-1201B</b>	$\frac{3}{8}$ " Quarter Slot Plug
5	<b>805-0112B</b>	O-Ring - Pump Drain Plug
6	<b>319-2160B</b>	6" Trap Body - $1\frac{1}{2}$ " FPT / $1\frac{1}{2}$ " Buttress x $1\frac{1}{2}$ " Union Flange
7	<b>415-4051B</b>	$1\frac{1}{2}$ " Split Nut Union Buttress
8	<b>711-4000B</b>	$1\frac{1}{2}$ " Union Gasket
9	<b>819-1110B</b>	Screw (4 required)
10	<b>311-1110B</b>	Faceplate
11	<b>805-0252B</b>	O-Ring - Faceplate Volute
12	<b>310-5110B</b>	$\frac{1}{2}$ HP Impeller "A" Assembly
	<b>310-5120B</b>	$\frac{3}{4}$ HP Impeller "B" Assembly
	<b>310-5130B</b>	1 HP Impeller "C" Assembly
	<b>310-5140B</b>	$1\frac{1}{2}$ HP Impeller "D" Assembly
	<b>310-5200B</b>	2 HP Impeller "E" Assembly
13	<b>319-3100B</b>	Seal Set
14	<b>315-1120B</b>	Volute
	<b>315-1050B</b>	Jacuzzi Style Volute
15	<b>313-1400B</b>	Slinger
16	--	Motor
17	<b>741-CGGZ-67RB</b>	3 ft. Cord - Regular Plug
	<b>741-CGGZ-37LB</b>	3 ft. Cord - Twist-Lock Plug

\*\* Please request price quote.



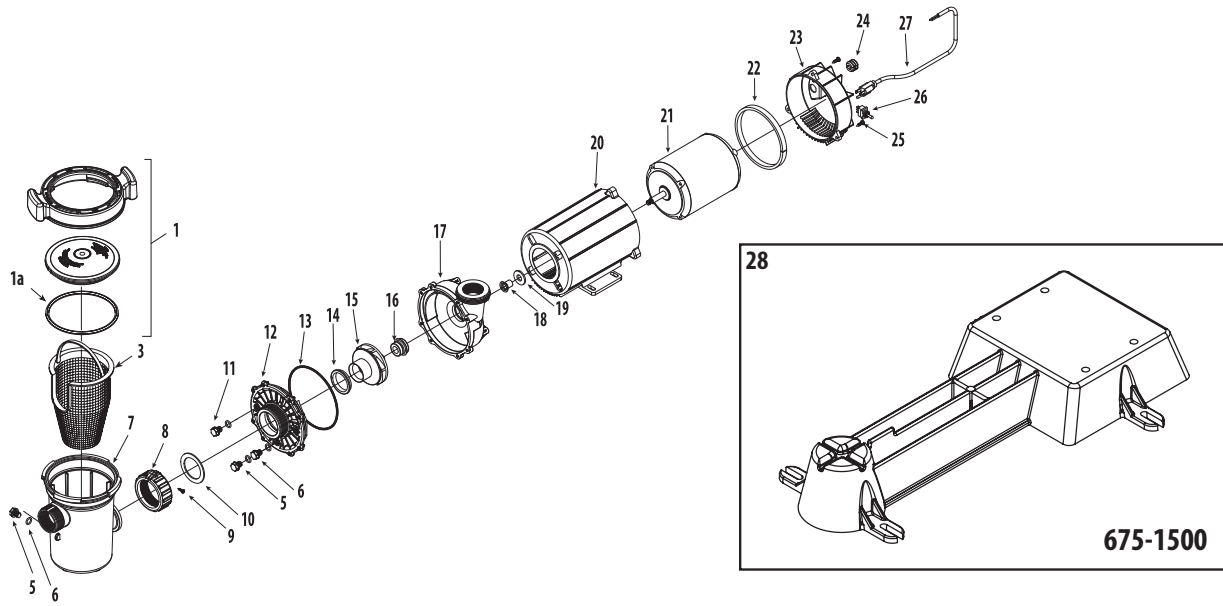


### SMF Pump Replacement Parts

Item	Part No.	Description
1	<b>3310330-1</b>	Motor, 48-FRAME SQ FLG 3/4HP 115/230V 60HZ
2	<b>819-0035B</b>	Bolt .375-16 x .875 Long
3	<b>672-1350B</b>	Neoprene Motor Support Strip
4	<b>319-1500B</b>	Motor Support Base
5	<b>819-0013B</b>	Screw Slot Hex Washer ¼" x 1 ¼"
6	<b>820-0017B</b>	⅜" Flat Washer Type B, Pool Pumps
7	<b>319-1700B</b>	Handle
8	<b>311-1450B</b>	Face Plate
9	<b>806-1400B</b>	Gasket, Face Plate
10	<b>319-3100B</b>	Pump Seal Set-Viton
11	<b>711-4300B</b>	Washer, Impeller
12	<b>819-4360B</b>	Screw Phil. Pan Head Left Hand ¼-20 x 1"
13	<b>310-7470B</b>	Diffuser Assy
14	<b>819-0018B</b>	#4-40 Uncs Bolt Schs
15	<b>805-0238B</b>	O-Ring-238
16	<b>319-1420B</b>	Diffuser Plate
17	<b>715-1201B</b>	⅜" Quarter Slot Plug (Sd Wet End)
18	<b>805-0014B</b>	O-Ring, -014
20	<b>319-1430B</b>	Basket Assy
21	<b>319-4100B</b>	Lid & Nut & O-ring - 6" Trap
21a	<b>805-0436B</b>	O-Ring - 6" Trap Lid
26	<b>310-7500B</b>	¾ HP Impeller Assembly
	<b>310-7510B</b>	1 HP Impeller Assembly
	<b>310-7520B</b>	1.5 HP Impeller Assembly
	<b>310-7530B</b>	2 HP Impeller Assembly
27	<b>315-1400B</b>	Pump Housing - 2" x 2" Npt
28	<b>820-0017-1B</b>	⅜" Washer, Split Lock
30	<b>819-0016B</b>	⅜"-16 x 2" Lg Hex Head
31	<b>400-1431-2B</b>	Self Aligning Pump Union



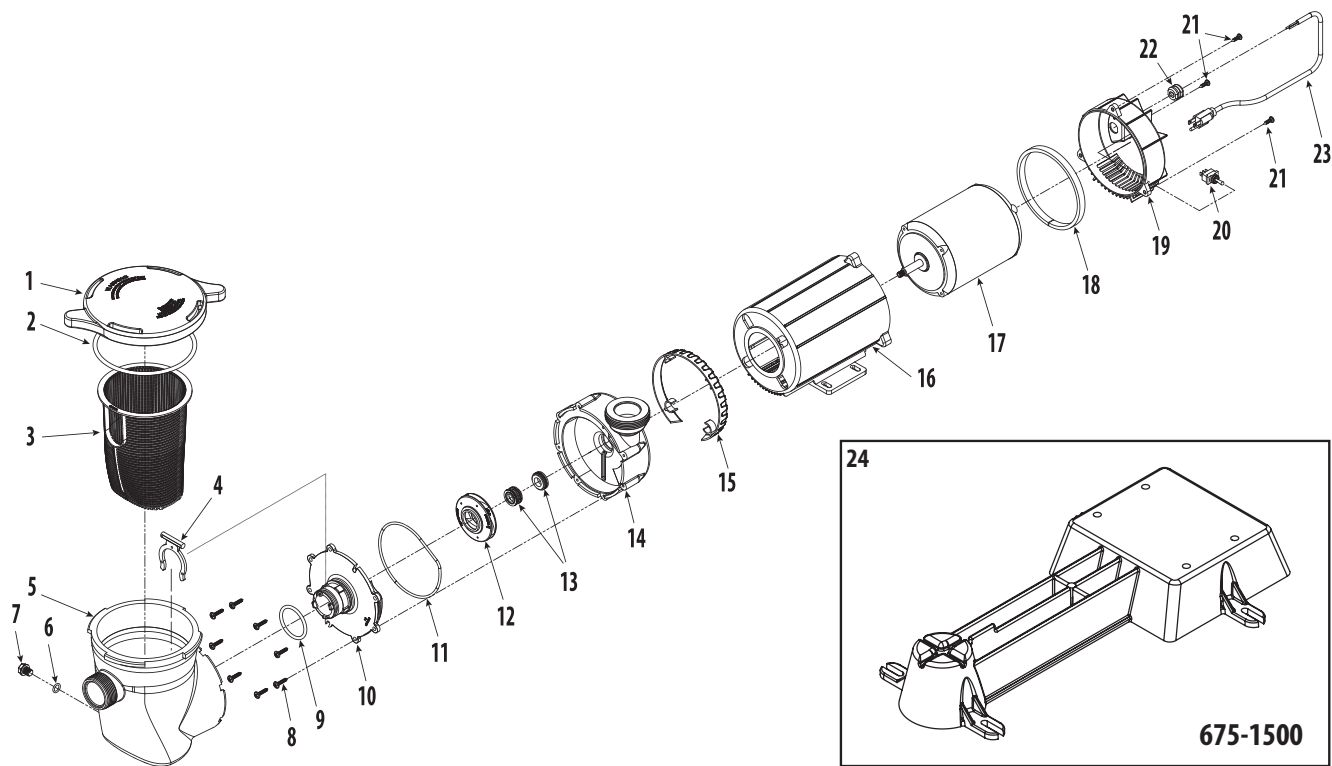
## Replacement Parts / CSA Hi-Flo II Side Discharge Pump



### CSA Hi-Flo II Side Discharge Pump Replacement Parts

Item	Part No.	Description
1	<b>319-4100</b>	Lid & Nut & O-ring - 6" Trap
1a	<b>805-0436B</b>	O-Ring - 6" Trap Lid
3	<b>319-3230B</b>	6" Trap Basket Assembly with Handle
5	<b>715-1201B</b>	$\frac{3}{8}$ " Quarter Slot Plug (2 required)
6	<b>805-0112B</b>	O-Ring - Drain Plug (2 required)
7	<b>319-2170B</b>	6" Trap Body - 1 1/2" FPT / 1 1/2" Buttress x 2" Union Flange
8	<b>415-5201B</b>	2" Heater Split Nut x 2 5/16" Gated Flange
9	<b>819-4350B</b>	Screw (2 required)
10	<b>711-4010B</b>	2" Union Gasket
11	<b>819-1110B</b>	Screw (8 required)
12	<b>311-2140B</b>	Side Discharge Faceplate
13	<b>805-0256B</b>	O-Ring - Faceplate
14	<b>319-1390B</b>	Wear Ring
15	<b>310-3990B</b>	$\frac{3}{4}$ HP Impeller "B" Assembly
--	<b>310-4000B</b>	1 HP Impeller "C" Assembly
--	<b>310-4010B</b>	1 1/2 HP Impeller "D" Assembly
--	<b>310-4030B</b>	2 HP Impeller Assembly
16	<b>319-3100B</b>	Pump Seal Kit
17	<b>315-2500B</b>	Side Discharge Volute with Inserts
18	<b>319-3520B</b>	CSA Slinger
19	<b>319-3530B</b>	CSA Slinger Washer
20	<b>319-3500B</b>	CSA Body Enclosure
21	--	Motor
22	<b>865-0800B</b>	Foam
23	<b>319-3510B</b>	CSA Back Cover
24	<b>813-0025B</b>	Strain Relief
25	<b>819-9002B</b>	Screw (3 required)
26	<b>815-4011B</b>	Hi-Off-Lo Toggle Switch
27	<b>741-CGGZ-257RB</b>	NEMA 25ft. Cord
28	<b>675-1500B</b>	CSA Pump Base, Supreme and Hi-Flo Pump

\*\* Please request price quote.



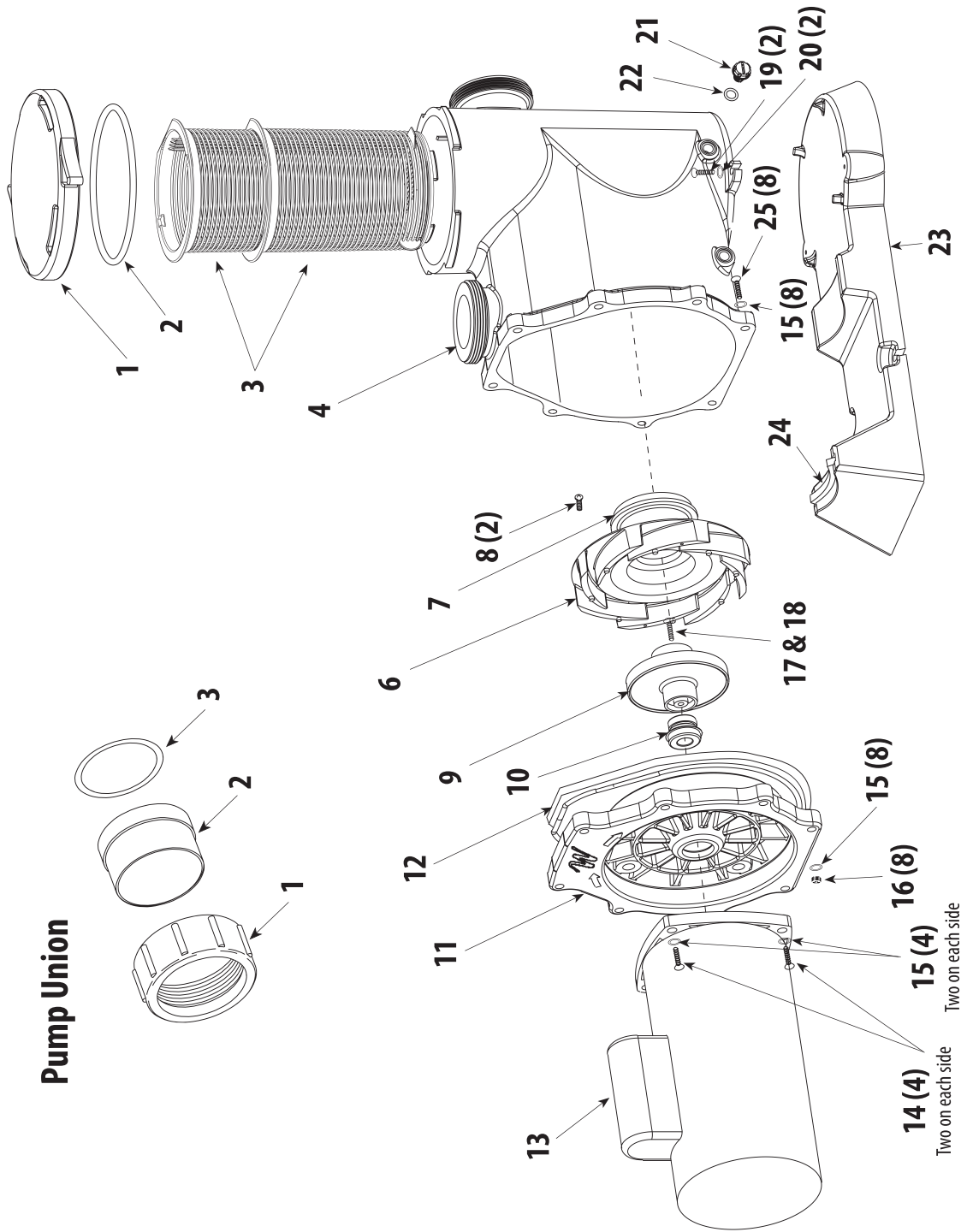
**CSA Supreme Pump Replacement Parts**

Item	Part No.	Description
1	<b>511-1310B</b>	Trap Lid
2	<b>805-0439B</b>	O-Ring #439
3	<b>319-1530B</b>	Trap Basket
4	<b>319-1540B</b>	C-Clip for Poop Pump
5	<b>319-1510B</b>	Trap Body
6	<b>805-0112B</b>	O-Ring - Drain Plug
7	<b>715-1201B</b>	3/8" Quarter Slot Plug
8	<b>819-0800B</b>	Screw #12 x 1" Self-Tapping Pan Head Phillips (8 required)
9	<b>805-0330B</b>	O-Ring #2-330
10	<b>311-1520B</b>	Faceplate
11	<b>805-0001-SPLB</b>	O-Ring Faceplate
12	<b>310-5080B</b>	3/4 HP Impeller Assembly
	<b>310-5090B</b>	1 HP Impeller Assembly
	<b>310-5100B</b>	1 1/2 HP Impeller Assembly
13	<b>319-3010B</b>	Pump Seal Kit - Viton
14	<b>315-1510B</b>	Volute
15	<b>319-1560B</b>	Volute Cosmetic Cover
16	<b>319-3500B</b>	CSA Body Enclosure
17	--	Motor
18	<b>865-0800B</b>	Foam Ring
19	<b>319-3510B</b>	CSA Motor End Back Cover
20	<b>815-4011B</b>	Hi-Off-Lo Toggle Switch
21	<b>819-9002B</b>	Screw (3 required) #12 x 3/4" Phillips
22	<b>813-0025B</b>	Strain Relief Plug
23	<b>741-CGGZ-257RB</b>	25 ft. NEMA Cord
24	<b>675-1500B</b>	CSA Pump Base, Supreme and Hi Flo Pump

\*\* Please request price quote.



**Pump Union**







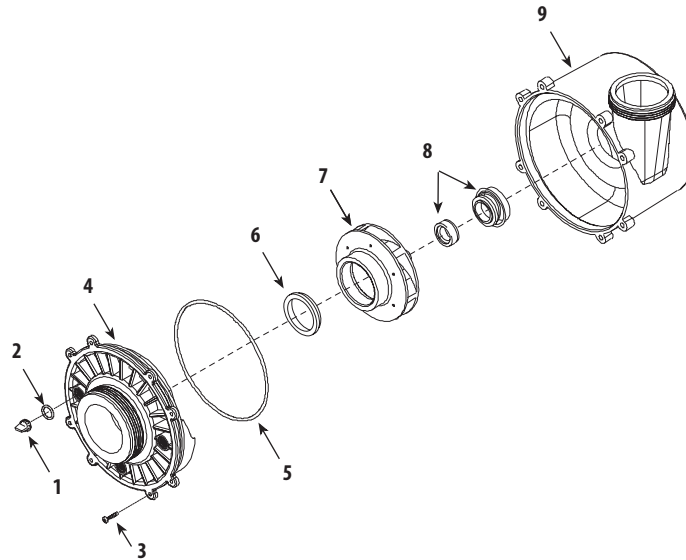
**SVL56 International High-Flow Pump Replacement Parts**

Item	Part No.	Description
1	<b>511-1310B</b>	Trap Lid
2	<b>805-0439B</b>	Trap Lid O-Ring
3	<b>319-1310B</b>	Basket Assembly
4	<b>315-1300B</b>	Volute Housing
6	<b>310-3300B</b>	Diffuser - High-Flow
7	<b>805-0238B</b>	Diffuser O-Ring
8	<b>819-0018B</b>	Diffuser Screw (2 required)
9	<b>310-3650B</b>	SVL56E-110, SVL56S-107, SVL56S-110, SVL56S-210 Impeller Assembly - High-Flow
	<b>310-3660B</b>	SVL56E-115, SVL56S-115, SVL56S-215 Impeller Assembly - High-Flow
	<b>310-3670B</b>	SVL56E-120, SVL56S-120, SVL56S-125 Impeller Assembly - High-Flow
	<b>310-3680B</b>	SVL56E-130 Impeller Assembly - High-Flow
10	<b>319-3100B</b>	Pump Seal Set - Viton (replaces 319-3110B)
11	<b>311-1400B</b>	Volute Faceplate
12	<b>711-4290B</b>	Faceplate Gasket
13	–	Motor
14	<b>819-0011B</b>	Screw - 3/8" - 16 x 1/8" (4 required)
15	<b>820-0017B</b>	3/8" Flat Washer (12 required)
16	<b>820-0016B</b>	3/8" 16-Fin Serrated Hex Nut
17	<b>819-4360B</b>	Screw Head Left Hand Thread
18	<b>711-4300B</b>	SVL Gasket for Left Hand Screw
19	<b>819-0013B</b>	Screw (2 required)
20	<b>820-0018B</b>	Flat Washer (2 required)
21	<b>715-1201B</b>	3/8" Quarter Slot Drain Plug
22	<b>805-0112B</b>	Drain Plug O-Ring
23	<b>672-1300B</b>	SVL56 Base
24	<b>672-1310B</b>	Motor Support Strip
25	<b>819-0016B</b>	Screw (8 required)

**Pump Union Replacement Parts**

Item	Part No.	Description
1	<b>415-6001B</b>	2 1/2" Union Nut - Black
2	<b>417-5971B</b>	2" Tailpiece for 2 1/2" Union Nut - O-Ring Black
2	<b>417-6001B</b>	2 1/2" S Tailpiece - Black
3	<b>711-6020B</b>	Gasket 2 1/2" Union Heater

\*\* Please request price quote.



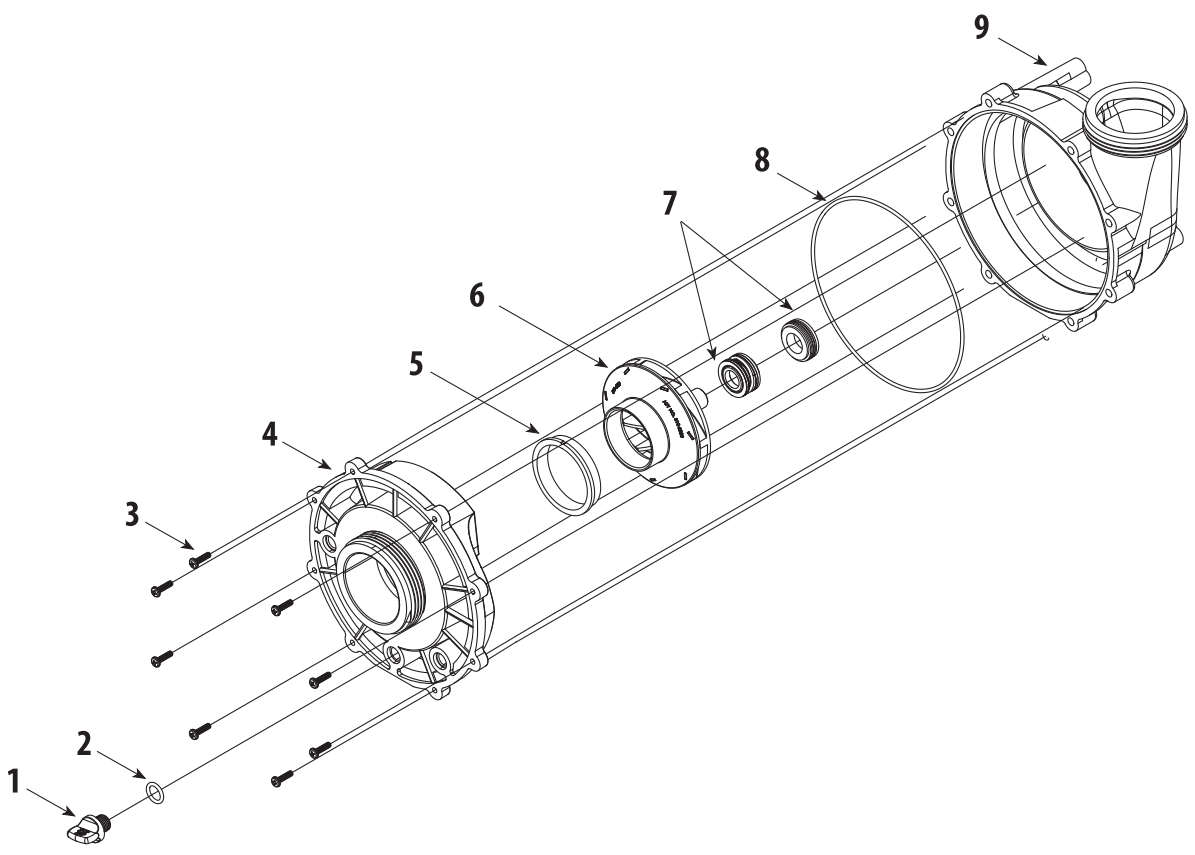
**Executive 56-Frame Wet End Replacement Parts**

Item	Part No.	Description
1	<b>715-1201B</b>	3/8" Quarter Slot Plug - Air Relief
2	<b>805-0112B</b>	O-Ring - #111 - Pump Drain Plug
3	<b>819-1110B</b>	Screw - #8 - 32 x 7/16" PPH
4	<b>311-1210B</b>	Executive Faceplate 2 1/2"
	<b>311-1220B</b>	Executive Faceplate 2"
5	<b>805-0261B</b>	O-Ring 261 - Volute for Executive Faceplate
6	<b>319-1370B</b>	Wear Ring - Executive Pump 4 & 5 HP
	<b>319-1380B</b>	Wear Ring - Executive Pump 3/4, 1, 2, and 3 HP
7	<b>310-4220B</b>	1 HP Impeller Assembly
	<b>310-4210B</b>	2 HP Impeller Assembly
	<b>310-4200B</b>	3 HP Impeller Assembly
	<b>310-4190B</b>	4 HP Impeller Assembly
	<b>310-4180B</b>	5 HP Impeller Assembly
8	<b>319-3100B</b>	Pump Seal Set
9	<b>315-1220B</b>	Executive Volute 56-Frame with Inserts

**Executive 48-Frame Wet End Replacement Parts**

Item	Part No.	Description
1	<b>715-1201B</b>	3/8" Quarter Slot Plug - Air Relief
2	<b>805-0112B</b>	O-Ring - #111 - Pump Drain Plug
3	<b>819-1110B</b>	Screw - #8 - 32 x 7/16" PPH
4	<b>311-1210B</b>	Executive Faceplate 2 1/2"
	<b>311-1220B</b>	Executive Faceplate 2"
5	<b>805-0261B</b>	O-Ring 261 - Volute for Executive Faceplate
6	<b>319-1370B</b>	Wear Ring - Executive Pump 4 & 5 HP
	<b>319-1380B</b>	Wear Ring - Executive Pump 3/4, 1, 2 and 3 HP
7	<b>310-4230B</b>	1 HP Motor - 3/4 HP Impeller Assembly
	<b>310-4220B</b>	1 1/2 HP Motor - 1 HP Impeller Assembly
	<b>310-4210B</b>	2 HP Motor - 2 HP Impeller Assembly
	<b>310-4200B</b>	3 HP Motor - 2 HP Impeller Assembly
	<b>310-4200B</b>	4 HP Motor - 3 HP Impeller Assembly
8	<b>319-3100B</b>	Pump Seal Set
9	<b>315-1240B</b>	Executive Volute 48-Frame with Inserts

\*\* Please request price quote.

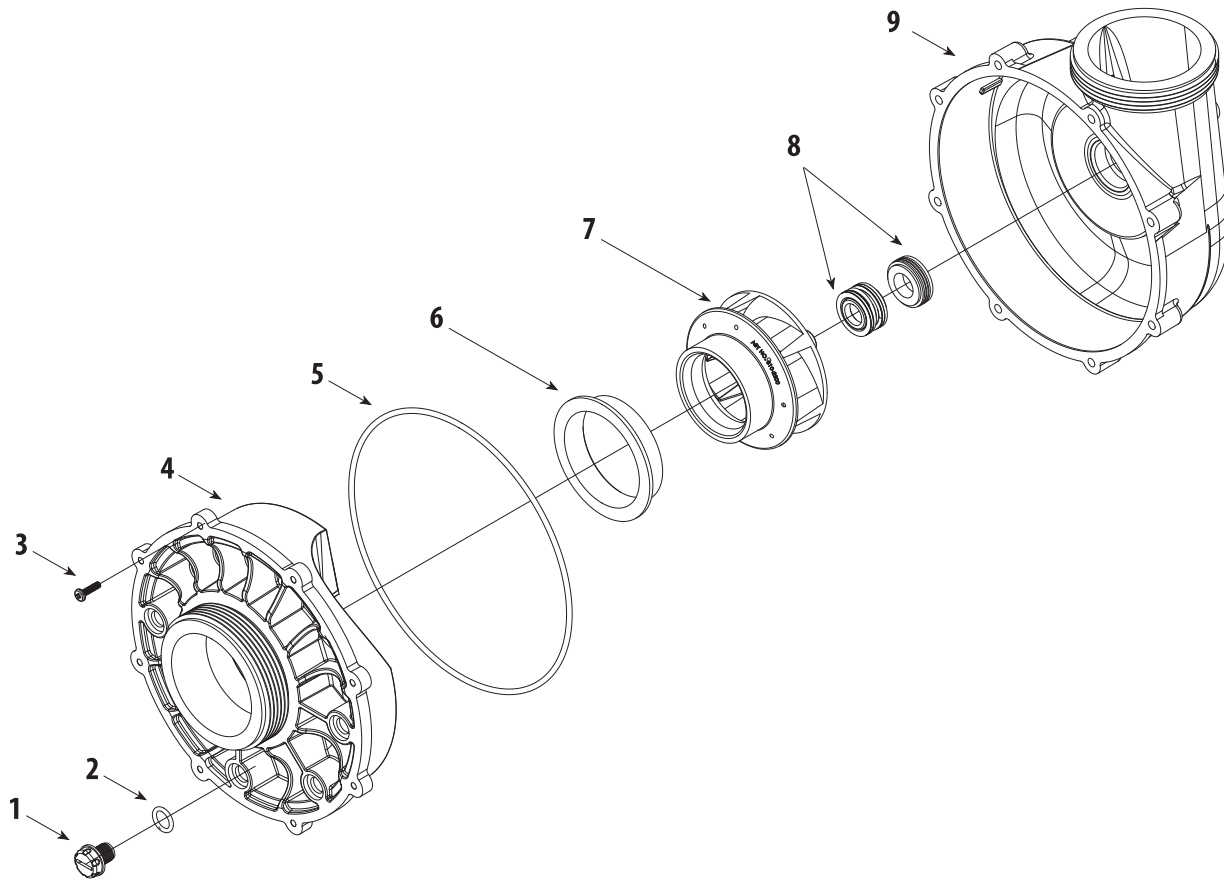


EX2 Wet End Replacement Parts		
Item	Part No.	Description
1	715-4020B	Pump Drain Plug
2	805-0112B	O-Ring - Pump Drain Plug
3	819-1110B	Screw #8-32
4	311-2311B	Volute Faceplate
5	319-1270B	Wear Ring
6	310-2330B	Impeller Assembly - 1 1/2 HP
	310-2340B	Impeller Assembly - 2 HP
	310-2300B	Impeller Assembly - 2 1/2 HP
	310-2350B	Impeller Assembly - 3 HP
7	319-3090B	Pump Seal Kit
8	805-0164B	O-Ring #164
9	315-2301B	Volute Housing

Replacement Parts



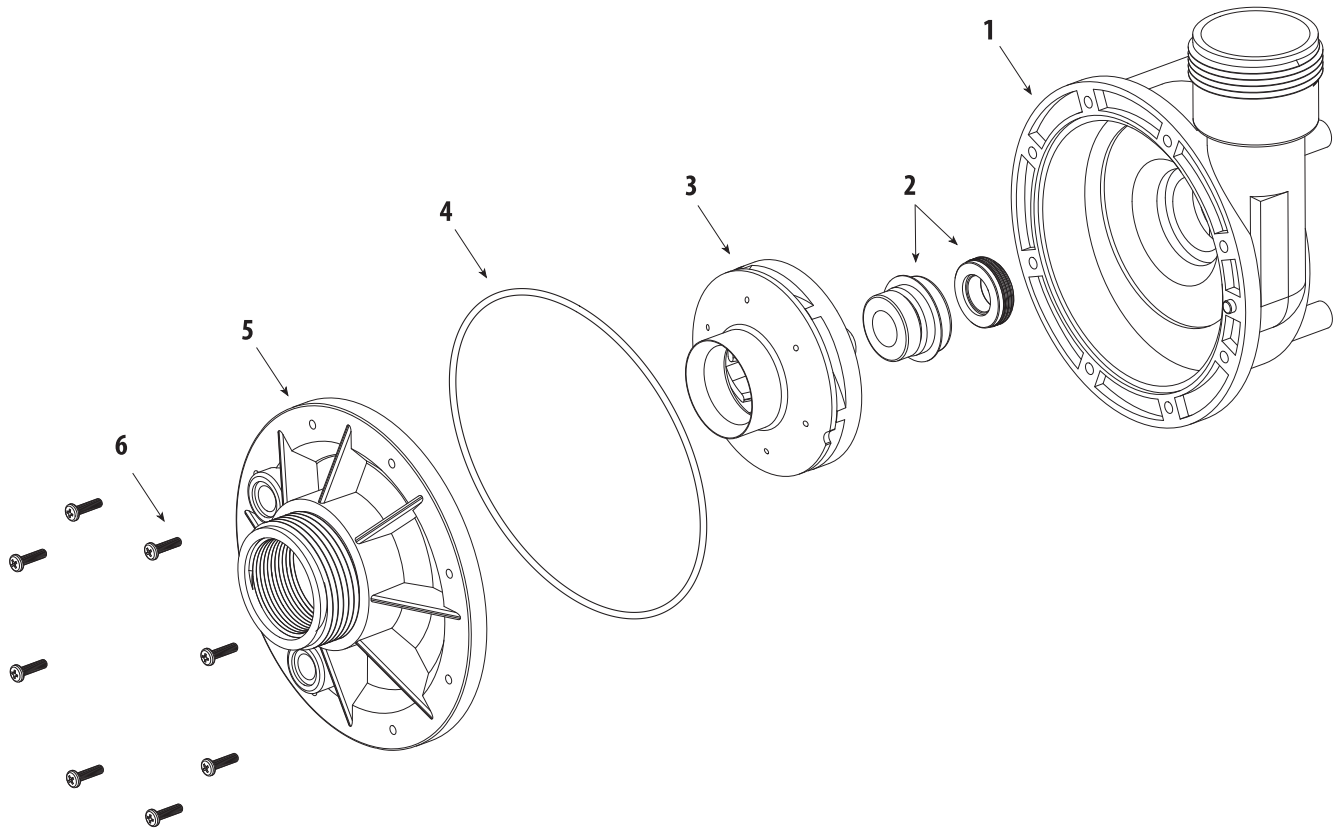
## Replacement Parts / Viper Wet End



### Viper Wet End Replacement Parts

Item	Part No.	Description
1	<b>715-1201B</b>	3/8" Quarter Slot Pump Drain Plug
2	<b>805-0112B</b>	O-Ring - Pump Drain Plug
3	<b>819-1110B</b>	Screw #8-32 (8 required)
4	<b>311-1510B</b>	Volute Faceplate
5	<b>805-0264B</b>	Volute O-Ring
6	<b>313-3210B</b>	Wear Ring
7	<b>310-2260B</b>	Impeller Assembly - 2 HP
	<b>310-2270B</b>	Impeller Assembly - 3 HP
	<b>310-2200B</b>	Impeller Assembly - 4 HP
	<b>310-2620B</b>	Impeller Assembly - 5 HP
8	<b>319-3090B</b>	Pump Seal Kit
9	<b>315-1500B</b>	Volute

\*\* Please request price quote.

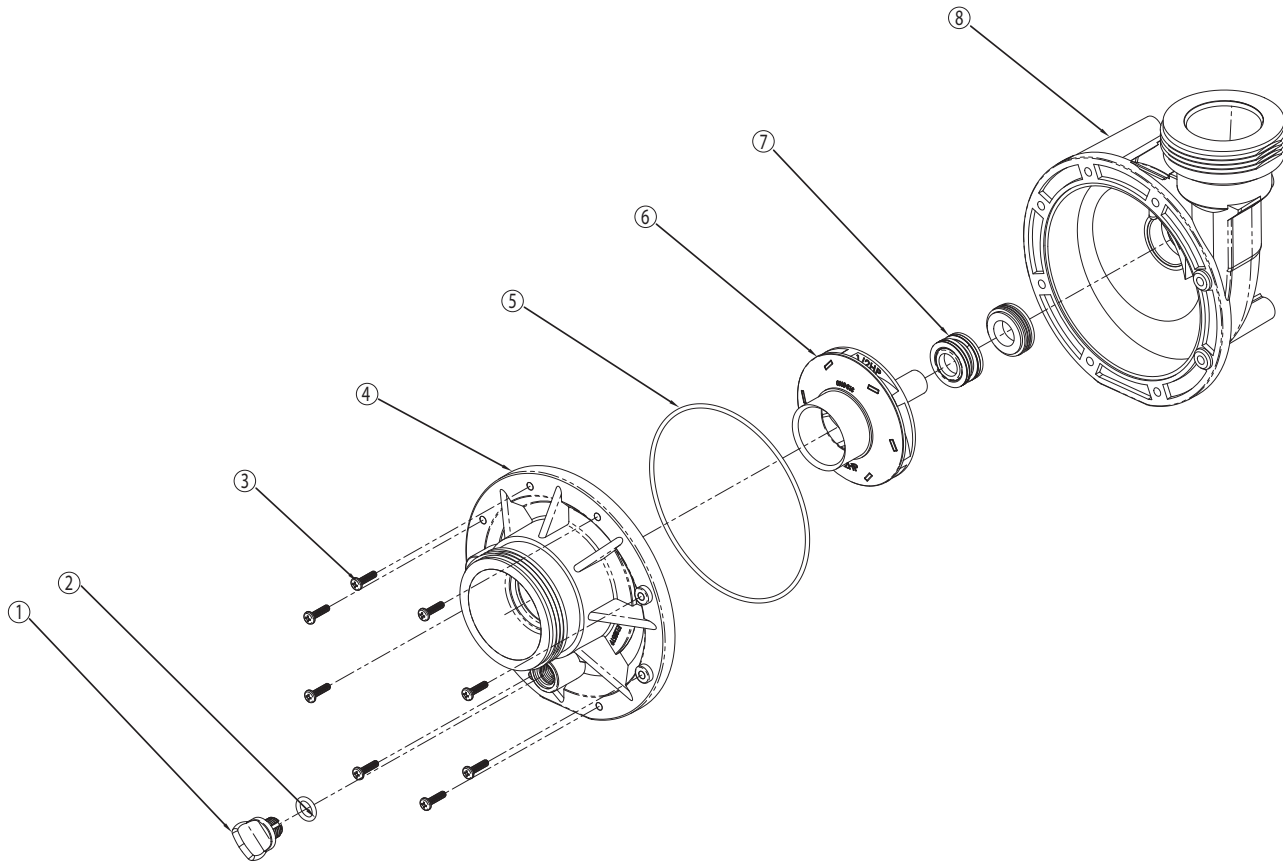


### Spa Flo and Iron Might Wet End Replacement Parts

Item	Part No.	Description
1	<b>315-1060B</b>	Volute
2	<b>319-3090B</b>	Pump Seal Kit
3	<b>310-0900B</b>	Iron Might Impeller Assembly
	<b>310-4060B</b>	Spa Flo Impeller Assembly - 1 HP
	<b>310-4070B</b>	Spa Flo Impeller Assembly - 1.5 HP
	<b>310-4090B</b>	Spa Flo Impeller Assembly - 2 HP
4	<b>805-0248B</b>	Volute O-Ring
5	<b>311-1060B</b>	Faceplate
6	<b>819-1110B</b>	#8-32 Screw (8 required)



## Replacement Parts / Spa Flo II Wet End

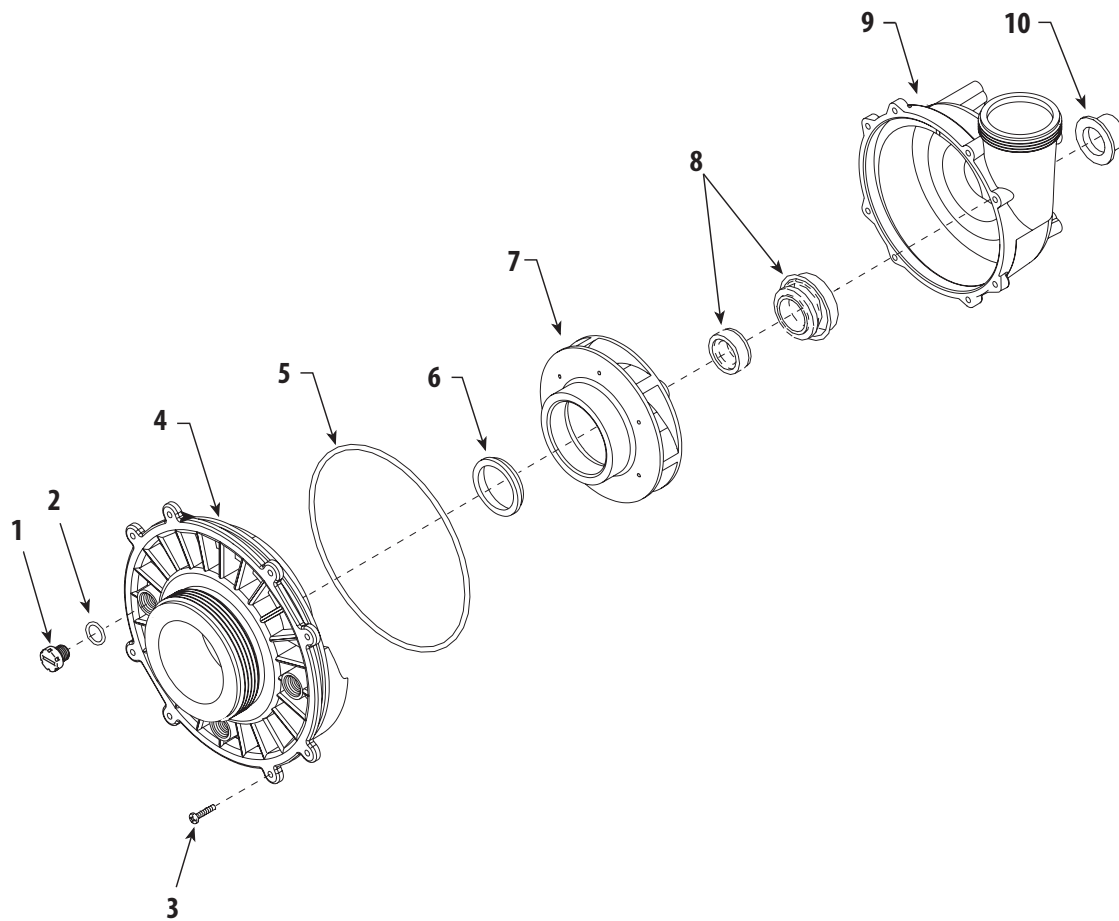


### Spa Flo II Wet End Replacement Parts

Item	Part No.	Description
1	<b>715-4020B</b>	Drain Plug
2	<b>805-0112B</b>	O-ring - Drain Plug
3	<b>819-1110B</b>	Screw #8 - 32 x 5/8" PPH 18 - 8
4	<b>311-2160B</b>	Faceplate 1.5"
5	<b>805-0158B</b>	O-ring Faceplate
6	<b>310-8000B</b>	1/2 HP Impeller Assembly
	<b>310-8010B</b>	3/4 HP Impeller Assembly
	<b>310-8020B</b>	1 HP Impeller Assembly
	<b>310-8030B</b>	1.5 HP Impeller Assembly
	<b>310-8040B</b>	2 HP Impeller Assembly
7	<b>319-3090B</b>	Pump Seal Set
8	<b>315-2510B</b>	Side Discharge Volute 1.5"

\*\* Please request price quote.





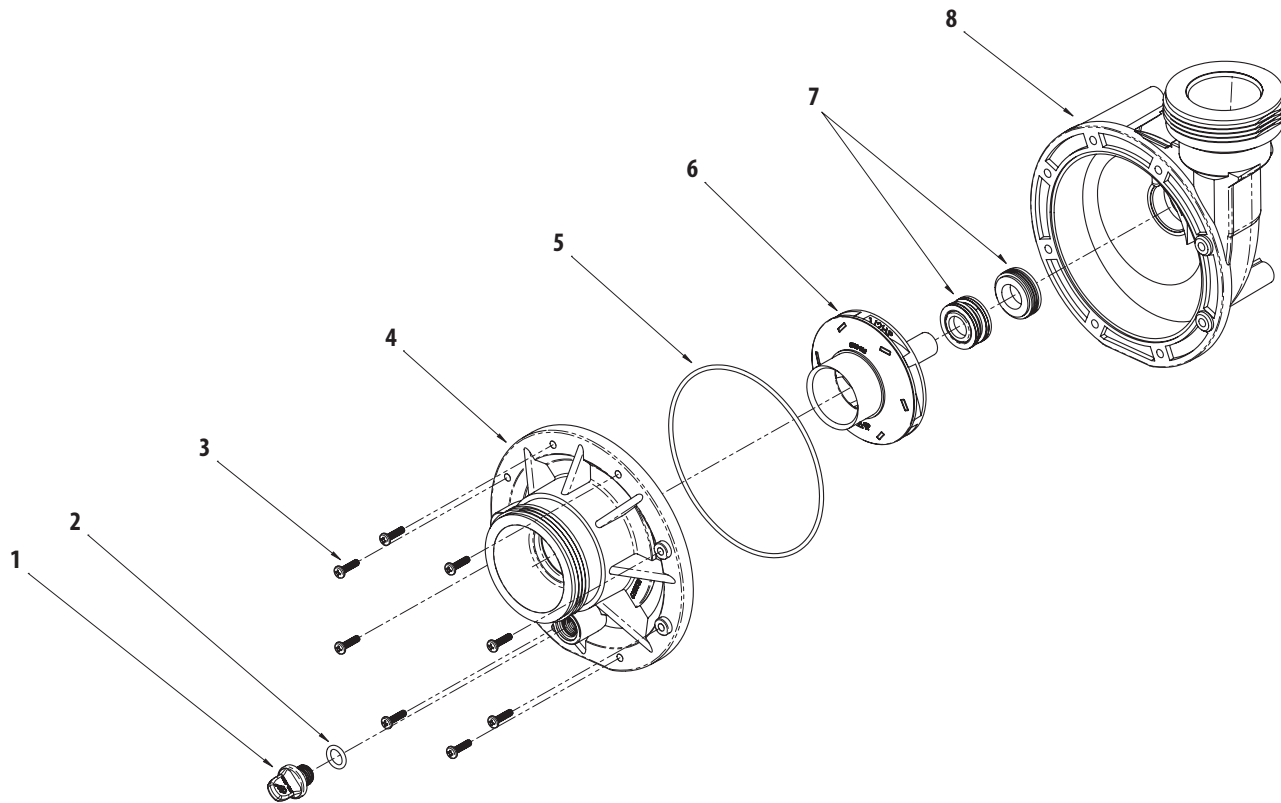
### Hi-Flo Side Discharge Wet End Replacement Parts

Item	Part No.	Description
1	<b>715-1201B</b>	3/8" Quarter Slot Drain Plug
2	<b>805-0112B</b>	O-Ring - Pump Drain Plug
3	<b>819-1110B</b>	Screw
4	<b>311-2140B</b>	2" Intake Faceplate
5	<b>805-0256B</b>	O-Ring - Faceplate
6	<b>319-1390B</b>	Wear Ring
7	<b>310-4000B</b>	1 HP Impeller "C" Assembly
	<b>310-4010B</b>	1 1/2 HP Impeller "D" Assembly
	<b>310-4030B</b>	2 HP Impeller Assembly
	<b>310-4020B</b>	3 HP Impeller Assembly
	<b>310-4050B</b>	4 HP Impeller Assembly
8	<b>319-3100B</b>	Pump Seal Kit
9	<b>315-2500B</b>	Side Discharge Volute with Inserts
10	<b>313-1400B</b>	Slinger

\*\* Please request price quote.



## Replacement Parts / Hi-Flo II Side Discharge Wet End

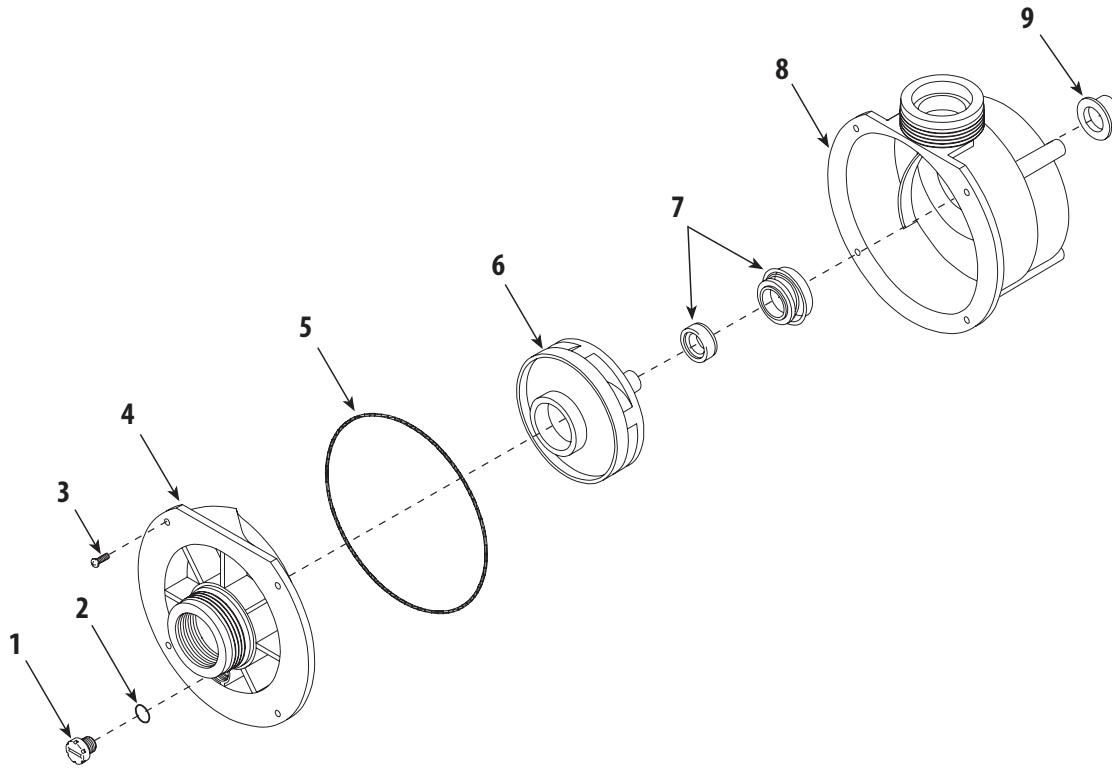


### Hi-Flo II Side Discharge Wet End Replacement Parts

Item	Part No.	Description
1	<b>715-4020B</b>	Drain Plug
2	<b>805-0112B</b>	O-ring - Drain Plug
3	<b>819-1110B</b>	Screw #8-32 x 5/8" PPH 18-8
4	<b>311-2170B</b>	Faceplate 2"
5	<b>805-0158B</b>	O-ring Faceplate
6	<b>310-8000B</b>	1/2 HP Impeller Assembly
	<b>310-8010B</b>	3/4 HP Impeller Assembly
	<b>310-8020B</b>	1 HP Impeller Assembly
	<b>310-8030B</b>	1.5 HP Impeller Assembly
	<b>310-8040B</b>	2 HP Impeller Assembly
7	<b>319-3090B</b>	Pump Seal Set
8	<b>315-2520B</b>	Side Discharge Volute 2"

\*\* Please request price quote.

## Replacement Parts / Center Discharge Wet End (2010 and Earlier)



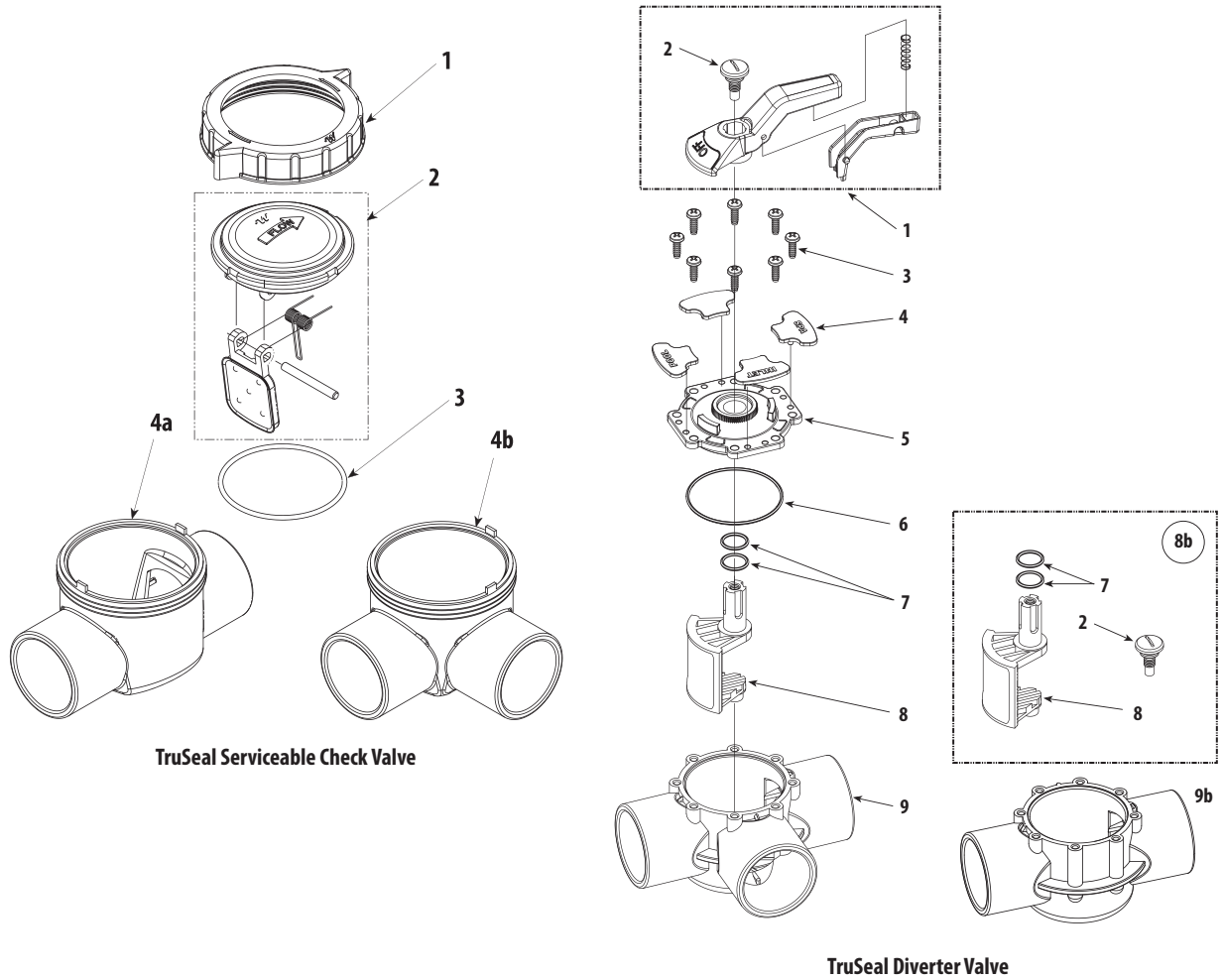
### Center Discharge Wet End Replacement Parts

Item	Part No.	Description
1	<b>715-1201B</b>	3/8" Quarter Slot Drain Plug
2	<b>805-0112B</b>	O-Ring - Pump Drain Plug
3	<b>819-1110B</b>	Screw #8-32
4	<b>311-1110B</b>	Faceplate - Spa Series
5	<b>805-0252B</b>	O-Ring - Faceplate
6	<b>310-5120B</b>	3/4 HP Impeller Assembly
	<b>310-5130B</b>	1 HP Impeller Assembly
	<b>310-5140B</b>	1 1/2 HP Impeller Assembly
	<b>310-5200B</b>	2 HP Impeller Assembly
7	<b>319-3100B</b>	Pump Seal Kit
8	<b>315-1120B</b>	Spa & Bath Volute
9	<b>313-1400B</b>	Slinger

\*\* Please request price quote.



## Replacement Parts / TruSeal Valves



TruSeal Serviceable Check Valve

TruSeal Diverter Valve

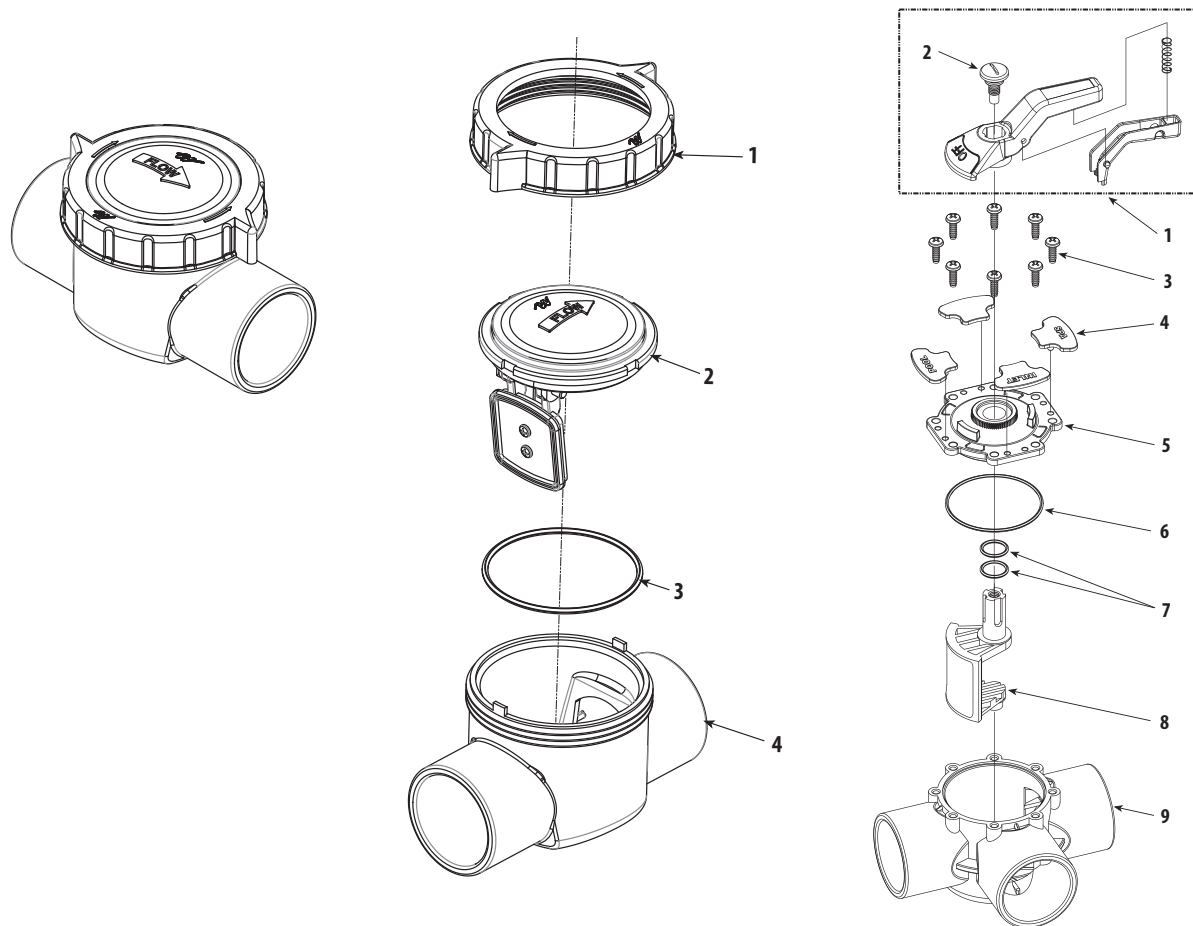
### TruSeal Serviceable Check Valve Replacement Parts

Item	Part No.	Description
1	<b>718-7027B</b>	Nut
2	<b>600-7300B</b>	Lid Assembly
3	<b>805-0239B</b>	O-Ring - Lid
4a	<b>602-7070B</b>	Valve Body
4b	<b>602-7000B</b>	EII Valve Body

### TruSeal Diverter Valve Replacement Parts

Item	Part No.	Description
1	<b>600-7171B</b>	Handle Assembly <i>(sold as Assembly Only)</i>
2	<b>715-1307B</b>	Screw - Handle
3	<b>819-0025B</b>	Screw - 14 & 3/4" Phil Pan.
4	<b>600-7180B</b>	Flow Label Assembly
5	<b>602-7251B</b>	Lid
6	<b>805-0151B</b>	O-Ring - Lid
7	<b>805-0116EPB</b>	O-Ring <i>(2 required per Valve)</i>
8	<b>602-7140B</b>	Diverter Arm
8b	<b>600-7160B</b>	Diverter Kit
9	<b>602-7200B</b>	Body
9b	<b>602-7071B</b>	Body Straight 1 1/2" spg
-	<b>602-7011B</b>	Body Straight 2 1/2" spg

\*\* Please request price quote.



### TruSeal 3" Check Valve Replacement Parts

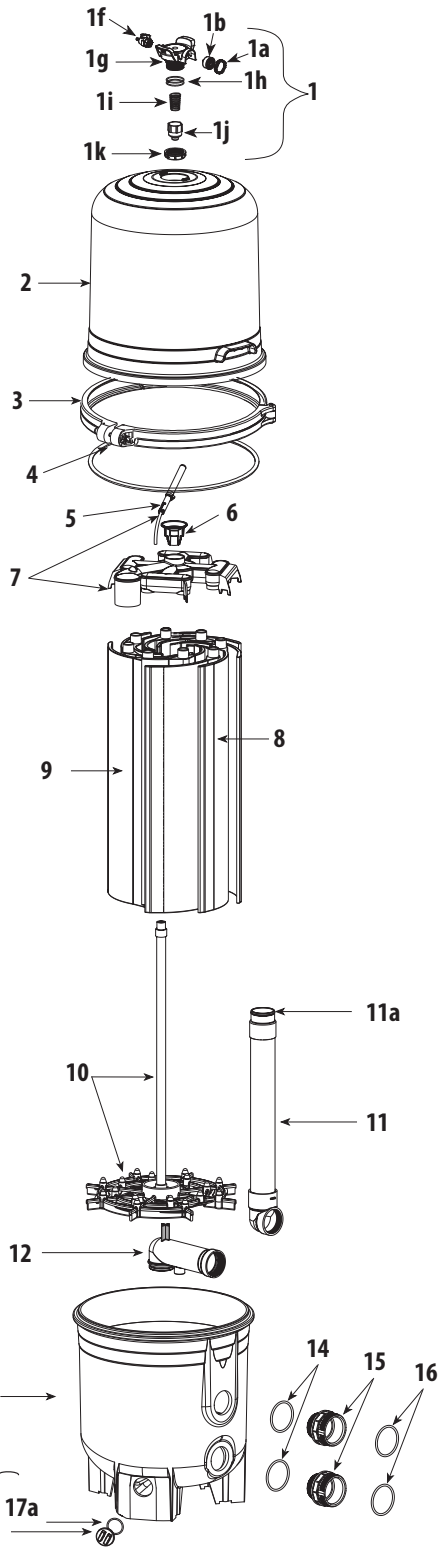
Item	Part No.	Description
1	<b>718-7031-CPVCB</b>	Threading Nut
2	<b>605-0111B</b>	Lid and Flapper Assembly
3	<b>805-0241B</b>	O-Ring, #2-241, 3.859 I.D x 4.137 O.D. X .139 W
4	<b>602-0121B</b>	Body, Check Valve, 2.5 S/3" SPG x 2.5 S/3" SPG

### TruSeal 3" Diverter Valve Replacement Parts

Item	Part No.	Description
1	<b>602-7131</b>	Handle Assembly ( <i>sold as Assembly Only</i> )
2	<b>715-1301</b>	Screw - Handle
3	<b>819-0025B</b>	Screw - 14 & 3/4" Phil Pan.
4	<b>600-7180B</b>	Flow Label Assembly
5	<b>602-0451</b>	Lid
6	<b>805-0241</b>	O-Ring - Lid
7	<b>805-0116EPB</b>	O-Ring ( <i>2 required per Valve</i> )
8	<b>602-7140B</b>	Diverter Arm
8b	<b>600-7160B</b>	Diverter Kit
9	<b>602-0441</b>	Body



## Replacement Parts / Crystal Water D.E. Filter

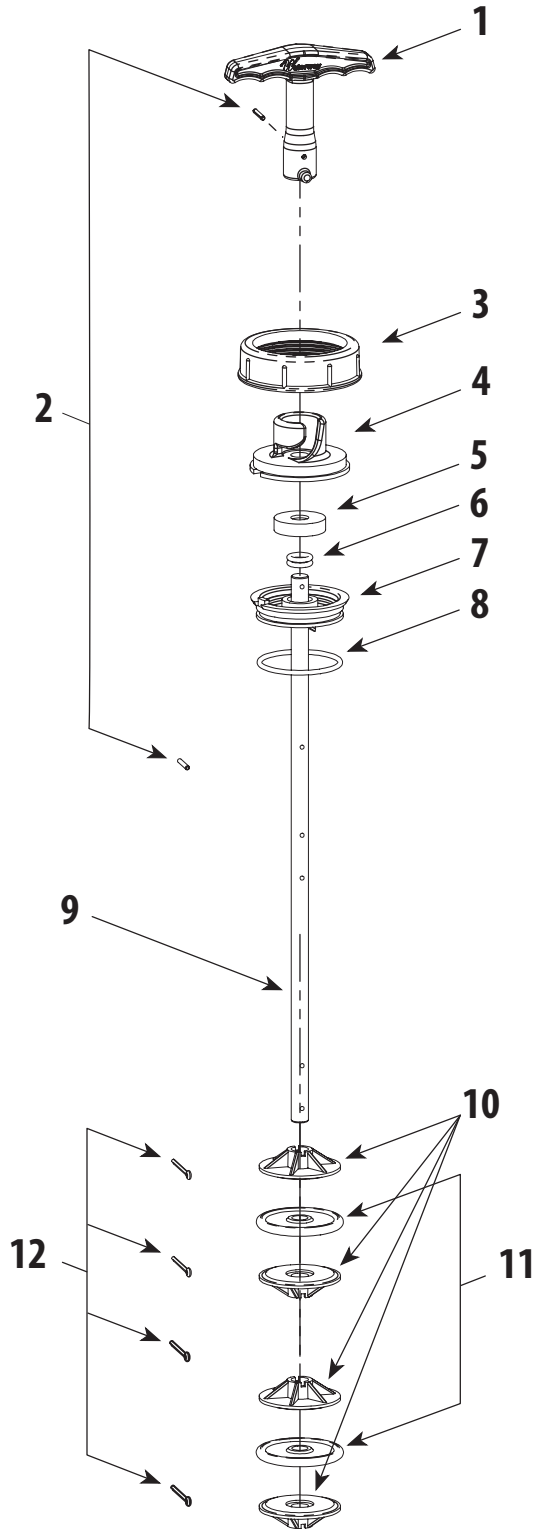


### Crystal Water D.E. Filter Replacement Parts

Item	Part No.	Description
1	550-6730	Pressure Relief Valve Assembly
1a	600-4101B	Bezel Assembly - Pressure Gauge
1b	830-4000SSB	Pressure Gauge
1f	550-4240B	Pressure Relief Screw with O-Ring
1g	602-4201B	Air Relief Valve Body w/Handle
1h	805-0414	O-Ring - Filter Handle (2 required)
1i	827-8150B	Spring - Water Bypass Valve
1j	519-4370B	Plunger
1k	718-4201B	Air Relief Valve Nut
2	550-4450B	Filter Lid with D.E. Crystal Water Filter Labels - 36 sq. ft.
	550-4430B	Filter Lid with D.E. Crystal Water Filter Labels - 48 sq. ft.
	550-4440B	Filter Lid with D.E. Crystal Water Filter Labels - 60 sq. ft.
3	550-4780B	Metal Clamp with Clamp Spring Assembly
4	805-0000B	O-Ring - Main Body
5	550-4320B	Air Relief Assembly
6	718-4320B	Manifold Nut
7	550-4200B	D.E. Manifold Assembly with Air Relief Assembly
--	550-4110B	D.E. Grid and Manifold Assembly with Air Relief Assembly - 36 sq. ft.
--	550-4120B	D.E. Grid and Manifold Assembly with Air Relief Assembly - 48 sq. ft.
--	550-4130B	D.E. Grid and Manifold Assembly with Air Relief Assembly - 60 sq. ft.
8	818-3940B	D.E. Short Grid with Mesh Assembly - 36 sq. ft.
	818-3900B	D.E. Short Grid with Mesh Assembly - 48 sq. ft.
	818-3920B	D.E. Short Grid with Mesh Assembly - 60 sq. ft.
9	818-3950B	D.E. Full Grid with Mesh Assembly - 36 sq. ft.
	818-3910B	D.E. Full Grid with Mesh Assembly - 48 sq. ft.
	818-3930B	D.E. Full Grid with Mesh Assembly - 60 sq. ft.
10	550-4380B	D.E. Grid Support Assembly with 20" PVC Shaft - 36 sq. ft.
	550-4310B	D.E. Grid Support Assembly with 26" PVC Shaft - 48 sq. ft.
	550-4350B	D.E. Grid Support Assembly with 32" PVC Shaft - 60 sq. ft.
11	550-4390B	2 1/2" Outlet Elbow Assembly - 36 sq. ft. D.E. Filter
	550-4220B	2 1/2" Outlet Elbow Assembly - 48 sq. ft. D.E. Filter
	550-4210B	2 1/2" Outlet Elbow Assembly - 60 sq. ft. D.E. Filter
	805-0145B	O-Ring - 2" Tailpiece
12	550-4410B	Long Elbow Fitting - 2 1/2" diameter
13	515-4207B	Filter Body Base
14	805-0339B	O-Ring (2 required)
15	419-4201B	2 1/2" Bulkhead Fitting (2 required)
16	711-4200B	2 1/2" Beveled Gasket (2 required)
17	400-6621B	Drain Assembly (New Style)
17a	805-0224B	Drain O-Ring (224) (New Style)
17b	715-6611B	Drain Plug - 1 1/2" MPT (New Style)
--	500-5310B	Drain Assembly (Plug, O-Rings, Base Fitting) (Old Style 2 - not shown)
--	400-6601B	Drain Plug with O-Ring (Old Style 2 - not shown)

Replacement Parts





**Slide Valve Internals Replacement Parts**

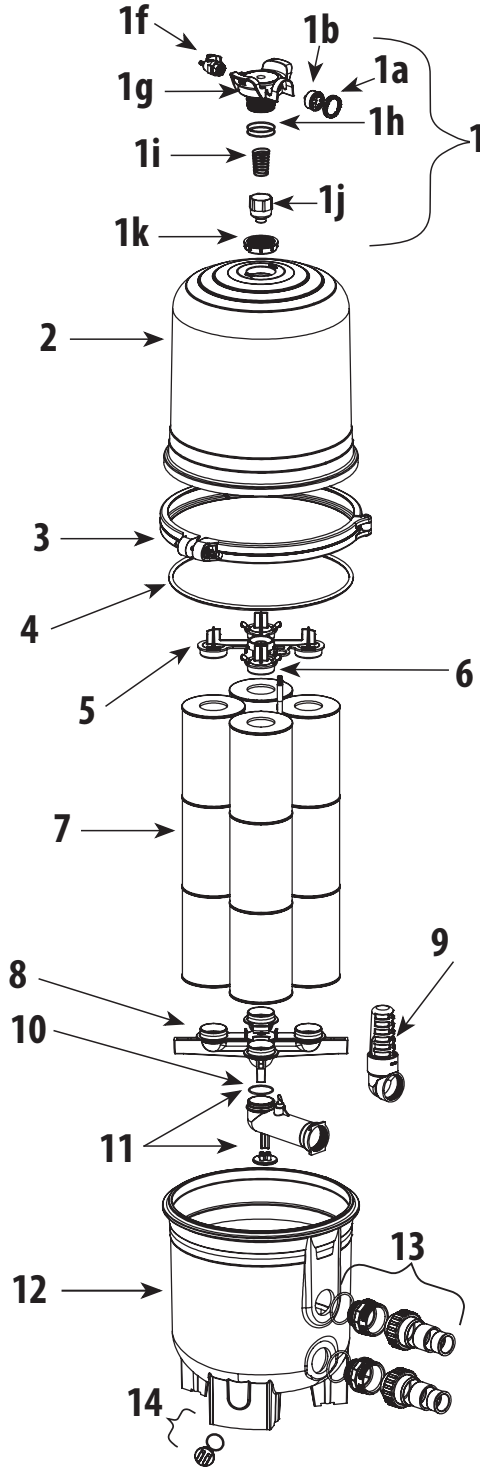
Item	Part No.	Description
1	505-1010B	Handle
2	802-0009B	Split Pin - Qty. 2
3	415-5091-CPVCB	2" Nut
4	505-1020B	Indexing Cap
5	505-1040B	O-Ring Cap
6	805-0206B	New O-Ring
7	505-1030B	Washer
8	805-0228B	New O-Ring
9	820-1050B	Piston Rod
10	505-1060B	Piston O-Ring Housing - Qty. 4
11	806-1000B	Gasket O-Ring - Qty. 2
12	802-1050B	1/8" Cotter Pin, 1.5" Long - Qty. 4

\*\* Please request price quote.



## Replacement Parts / Crystal Water Cartridge Filter

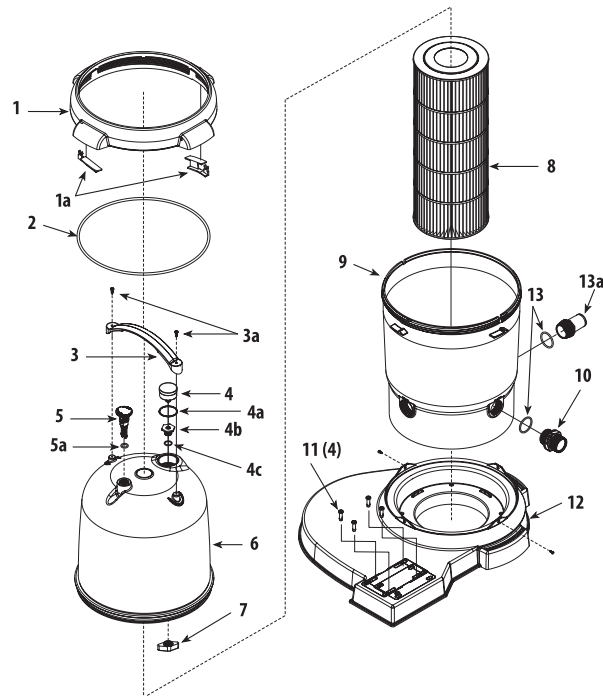
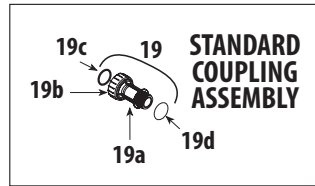
### Crystal Water Cartridge Filter Replacement Parts



Item	Part No.	Description
1	<b>550-6730</b>	Pressure Relief Valve Assembly
1a	<b>600-4101B</b>	Bezel Assembly - Pressure Gauge
1b	<b>830-4000SSB</b>	Pressure Gauge
1f	<b>550-4240B</b>	Pressure Relief Screw with O-Ring
1g	<b>602-4201B</b>	Air Relief Valve Body Handle
1h	<b>805-0414</b>	O-Ring - Handle (2 required)
1i	<b>827-8150B</b>	Spring - Water Bypass Valve
1j	<b>519-4370B</b>	Plunger
1k	<b>718-4201B</b>	Air Relief Valve Nut
2	<b>550-4460B</b>	Filter Lid with Cartridge Crystal Water Filter Labels - 325 sq. ft.
	<b>550-4470B</b>	Filter Lid with Cartridge Crystal Water Filter Labels - 425 sq. ft.
	<b>550-4480B</b>	Filter Lid with Cartridge Crystal Water Filter Labels - 525 sq. ft.
3	<b>550-4780B</b>	Metal Clamp with Clamp Spring Assembly
4	<b>805-0000B</b>	O-Ring - Main Body
6	<b>519-4320B</b>	Cartridge Manifold Plug
6	<b>550-4370B</b>	Air Relief Assembly with Tube - 325 sq. ft.
	<b>550-4340B</b>	Air Relief Assembly with Tube - 425 sq. ft.
	<b>550-4330B</b>	Air Relief Assembly with Tube - 525 sq. ft.
7	<b>817-0081B</b>	Cartridge - 325 sq. ft. - 7" OD x 20" L (4 required)
	<b>817-0106B</b>	Cartridge - 425 sq. ft. - 7" OD x 26 1/6" L (4 required)
	<b>817-0131B</b>	Cartridge - 525 sq. ft. - 7" OD x 32 1/6" L (4 required)
8	<b>550-4300B</b>	Cartridge Manifold Assembly
9	<b>550-4500B</b>	Intake Diffuser Assembly
10	<b>805-0230B</b>	O-Ring
11	<b>550-4360B</b>	Long Elbow with Venturi Air Bleeder and O-Ring
12	<b>550-4400B</b>	Filter Body with Labels
13	<b>400-9974B</b>	Fittings Pack - Fitting Nuts, O-Ring, 2 1/2" to 2" Reducers
	<b>421-4071B</b>	Reducer - 2" to 1 1/2"
	<b>421-4201B</b>	Reducer - 2 1/2" to 2"
	<b>415-6001B</b>	2 1/2" Union Nut (2 required)
	<b>417-2201B</b>	2 1/2" Tailpiece with Piston O-Ring Groove (2 required)
	<b>805-0232B</b>	O-Ring - 2 1/2" Union (4 required - 2 for each Bulkhead)
	<b>419-4201B</b>	2 1/2" Bulkhead Coupler (2 required)
	<b>805-0339B</b>	O-Ring (2 required)
	<b>711-4200B</b>	2 1/2" Beveled Gasket (2 required)
14	<b>400-6621B</b>	Drain Assembly ( <i>New Style</i> )
	<b>805-0224B</b>	Drain O-Ring (224) ( <i>New Style</i> )
	<b>715-6611B</b>	Drain Plug - 1 1/2" MPT ( <i>New Style</i> )
--	<b>500-5310B</b>	Drain Assembly (Plug, O-Rings, Base Fitting) ( <i>Old Style 2 - not shown</i> )
--	<b>400-6601B</b>	Drain Plug with O-Ring ( <i>Old Style 2 - not shown</i> )
--	<b>400-6610B</b>	Drain Elbow Assembly ( <i>Old Style 1 - not shown</i> )

\*\* Please request price quote.

## Replacement Parts / ClearWater II Cartridge Filter



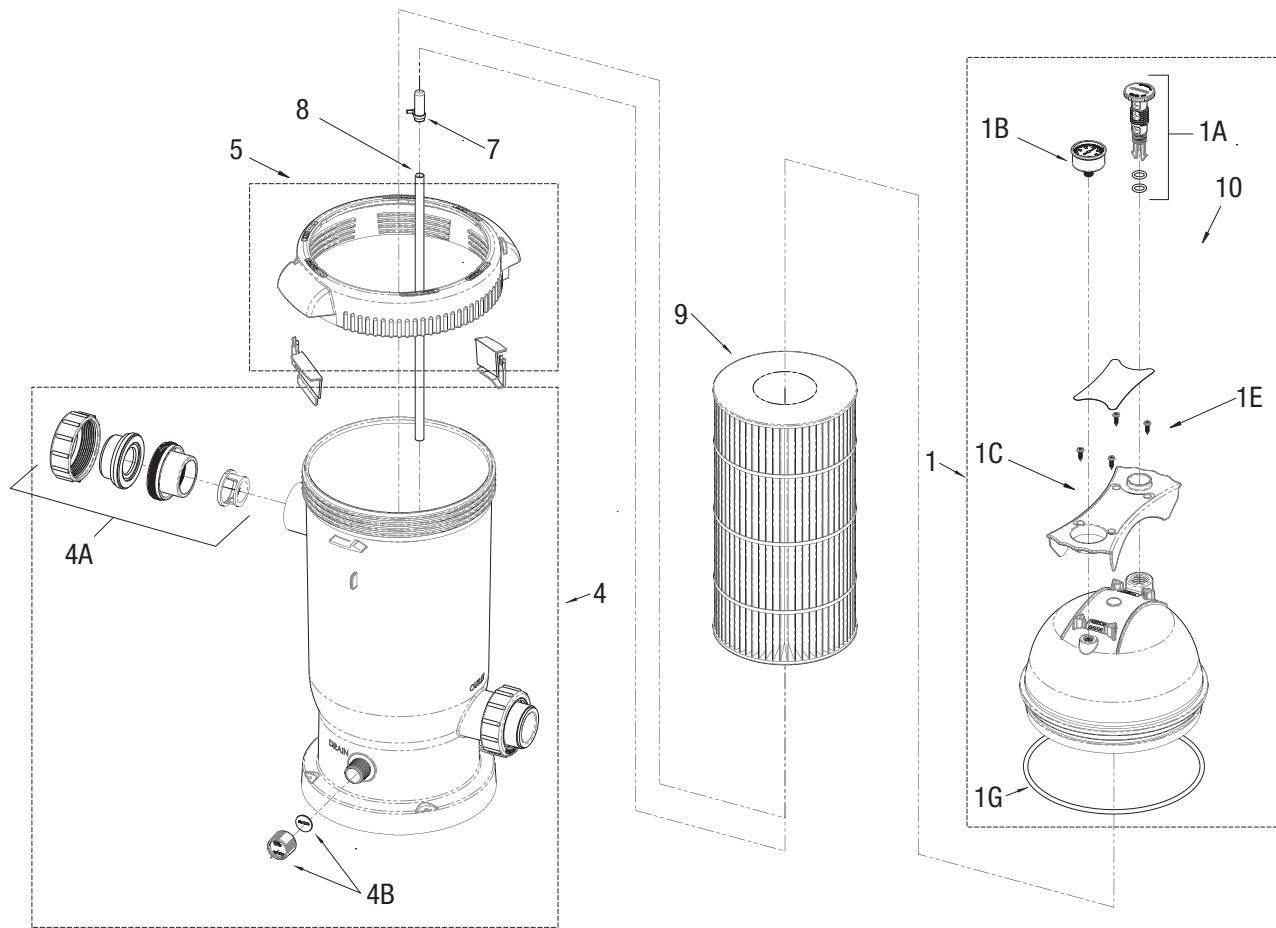
### ClearWater II Cartridge Filter Replacement Parts

Item	Part No.	Description
1	<b>550-7500B</b>	Filter Locknut Assembly
1a	<b>519-7420B</b>	Lock Tab - Clearwater II Filter - Extended Arms
2	<b>805-0460B</b>	O-Ring - Lid
3	<b>519-7601B</b>	Handle - Lid
3a	<b>819-9002B</b>	Screw #12 x 3/4" Stainless Steel Phillips Head
4	<b>830-4000SSB</b>	Pressure Gauge
4a	<b>805-0136B</b>	O-Ring - Air Relief
4b	<b>519-7431B</b>	Pressure Gauge Adapter
4c	<b>805-0116EPB</b>	O-Ring - Adapter
5	<b>602-0201B</b>	Air Relief Knob
5a	<b>805-0207B</b>	O-Ring - Air Relief Valve
6	<b>519-7410B</b>	Lid Assembly ( <i>Small</i> )
	<b>519-7400B</b>	Lid Assembly ( <i>Large</i> )
7	<b>519-7441B</b>	Gauge Lock-Nut
8	<b>817-0075PB</b>	Filter Cartridge - 75 sq. ft. - 8 1/16" OD x 17 3/8" L
	<b>817-0100PB</b>	Filter Cartridge - 100 sq. ft. - 8 1/16" OD x 17 3/8" L
	<b>817-0125NB</b>	Filter Cartridge - 125 sq. ft. - 8 1/16" OD x 23 5/16" L
	<b>817-0150NB</b>	Filter Cartridge - 150 sq. ft. - 8 1/16" OD x 23 5/16" L
	<b>817-0200NB</b>	Filter Cartridge - 200 sq. ft. - 8 1/16" OD x 23 5/16" L
9	<b>515-7250B</b>	Filter Body
10	<b>500-5300B</b>	Drain Assembly
11	<b>429-7221B</b>	Snap Pin Base Fasteners (4 required)
12	<b>672-7401B</b>	ClearWater II Base
13	<b>805-0224B</b>	O-Ring
13a	<b>417-6241B</b>	Hose Adapter - 1-1/2" MPT x 1-1/2" hose
--	<b>519-7470B</b>	Lid Removal Tool
19	<b>419-7251</b>	Standard Base Coupling Assembly
19a	<b>419-7241</b>	Standard Coupling
19b	<b>415-5001</b>	2" Union Nut
19c	<b>711-4010</b>	2" Union Gasket
19d	<b>805-0224</b>	O-Ring - Coupling

\*\* Please request price quote.



## Replacement Parts / ProClean Plus Cartridge Filter

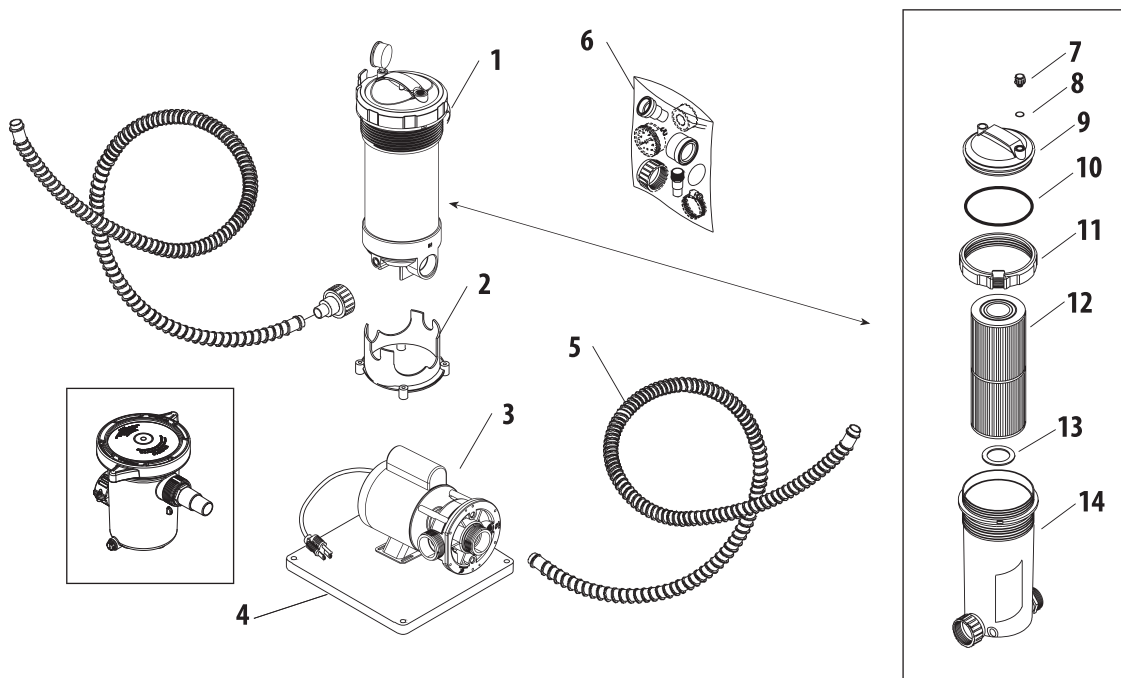


### ProClean Plus Cartridge Filter Replacement Parts

Item	Part No.	Description
1	<b>550-0611</b>	Filter Lid & Handle Assembly – 75 - 100 sq. ft. (includes #1A - 1G)
	<b>550-0621</b>	Filter Lid & Handle Assembly – 125 - 150 sq. ft. (includes #1A - 1G)
	<b>550-0631</b>	Filter Lid & Handle Assembly – 175 - 200 sq. ft. (includes #1A - 1G)
1a	<b>600-0220</b>	ProClean Plus Air Relief Valve w/ O-Ring
4	<b>550-0601B</b>	Filter Body & Lock ring Assy (includes #4A-4B)
4a	<b>400-5961-2B</b>	2 1/2" Union with 2" S TP with Gasket & Reducer for ProClean
4b	<b>550-0260</b>	ProClean Plus Drain Cap with Gasket Assembly
5	<b>550-0701B</b>	Lock Ring Assembly
7	<b>500-7310B</b>	Screen/Sock with Clamp Assy
8	<b>872-4000EB</b>	Air Bleed Tube - 75 / 100 sq. ft.
	<b>872-4000LB</b>	Air Bleed Tube - 125 / 150 sq. ft.
	<b>872-4000FB</b>	Air Bleed Tube - 175 / 200 sq. ft.
9	<b>817-0075NB</b>	Filter Cartridge - 75 sq. ft.
	<b>817-0100NB</b>	Filter Cartridge - 100 sq. ft.
	<b>817-0125NB</b>	Filter Cartridge - 125 sq. ft.
	<b>817-0150NB</b>	Filter Cartridge - 150 sq. ft.
	<b>817-0175NB</b>	Filter Cartridge - 175 sq. ft.
	<b>817-0200NB</b>	Filter Cartridge - 200 sq. ft.

\*\* Please request price quote.

## Replacement Parts / TWM Cartridge Filter Package



### TWM Filter Package Replacement Parts

Item	Part No.	Description
1	<b>500-2515B</b>	Top Load Filter with Union - 25 sq. ft.
	<b>500-5015B</b>	Top Load Filter with Union - 50 sq. ft.
2	<b>672-1051B</b>	Filter Mount Base
3	--	Pump (see <i>Center Discharge Pumps</i> , page 19)
4	<b>672-1010B</b>	Base - 1" x 14 1/2" x 15"
5	<b>872-9002B</b>	Corrugated Hose - 1 1/2" x 6 ft.
6	<b>400-9900B</b>	Fitting Package (see below for package contents)
7	<b>715-1001B</b>	Air Relief Plug
8	<b>805-0114B</b>	O-Ring - Air Relief Plug
9	<b>550-5100DB</b>	Top Load Filter Lid Assembly with Plugs and O-Rings
10	<b>805-0360B</b>	O-Ring - Top Load Filter Lid
11	<b>500-1000B</b>	Lock Ring Assembly
12	<b>817-5000B</b>	Top Load Filter Cartridge - 50 sq. ft. - 4 1/8" OD x 13 5/8" L
	<b>817-2500B</b>	Top Load Filter Cartridge - 25 sq. ft. - 4 1/8" OD x 13 5/8" L
13	<b>711-1010B</b>	Spacer Ring
14	<b>550-2515B</b>	Filter Body Assembly - 25 & 50 sq. ft.
15	<b>310-5400B</b>	6" Leaf Trap 1 1/2" x 1 1/2"

### Fittings Package Contents (Item 6)

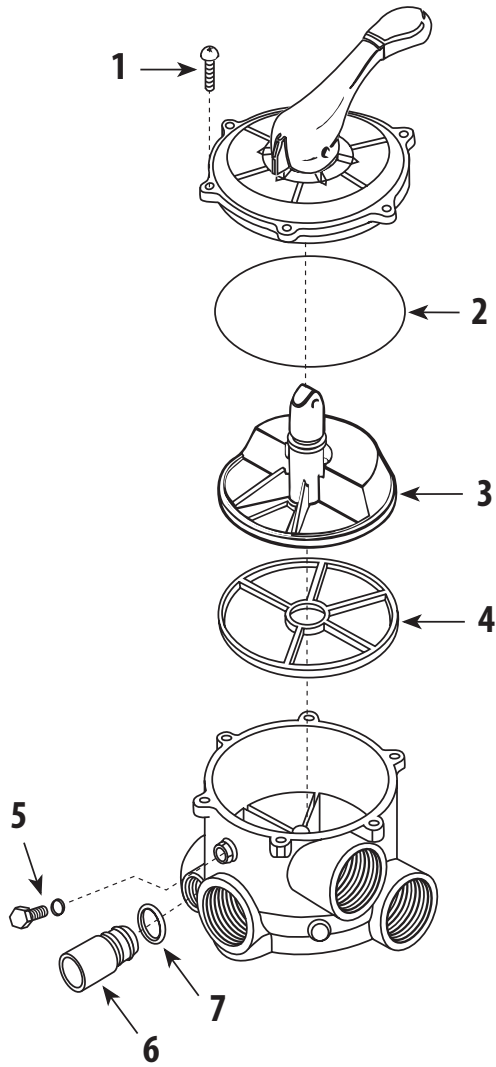
Item	Part No.	Description
--	<b>830-3000B</b>	Pressure Gauge
--	<b>872-0011B</b>	2 1/2" Hose Clamp (4 required)
--	<b>902-2000B</b>	Teflon Tape - 1/2" x 260" roll
--	<b>417-4001B</b>	Tailpiece - 1 1/2" S
--	<b>417-6041B</b>	Hose Adapter Fitting - 1 1/2" TP - 1 1/2" x 1 1/4" H
--	<b>415-4001B</b>	1 1/2" Union Nut
--	<b>805-0226B</b>	O-Ring (2 required)
--	<b>417-6061B</b>	Hose Adapter Fitting - 1 1/2" MPT x 1 1/4" Hose

\*\* Please request price quote.

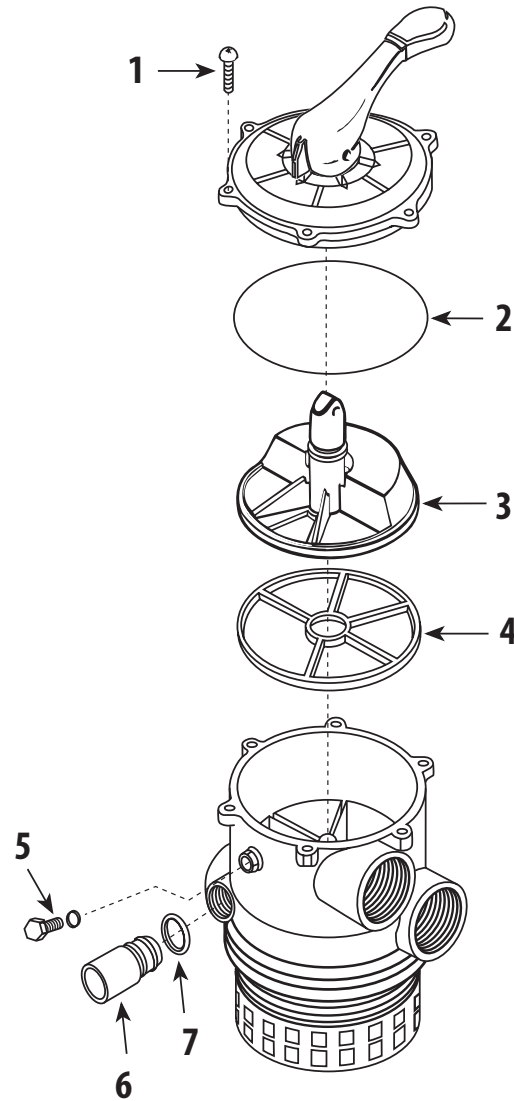


# Replacement Parts / Multi-Port Valves - Side Mount and Top Mount

## SIDE MOUNT



## TOP MOUNT



Replacement Parts

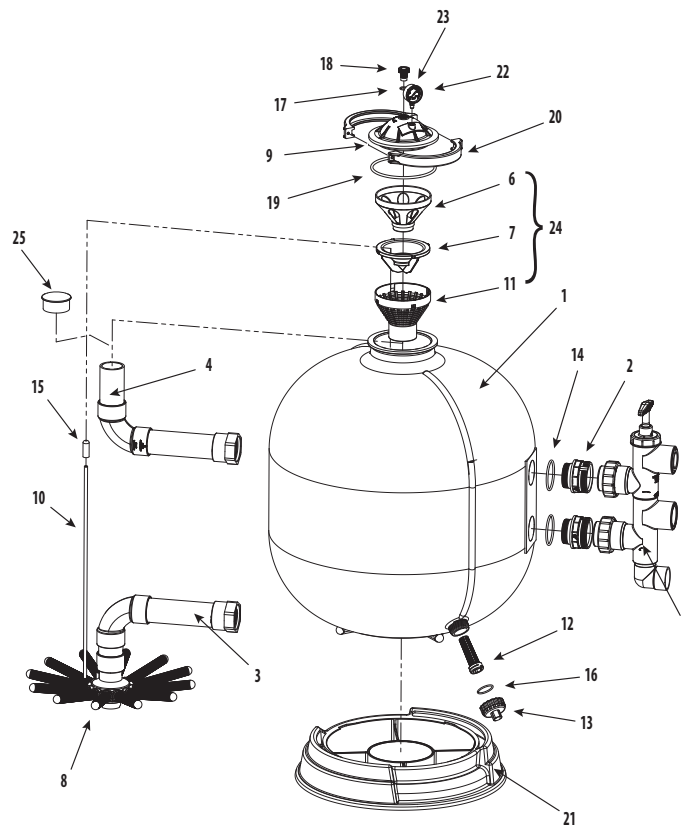
### SmartClean Sand and Crystal Water D.E. Multi-Port Valve Replacement Parts

Item	Part No.	Description	Valve Size
1	<b>819-0010B</b>	Screw	1 1/2" and 2"
2	<b>873-E7S2B</b>	O-Ring - Cover	1 1/2"
	<b>805-0254B</b>	O-Ring - Cover	2"
3	<b>602-1910B</b>	Diverter (Noryl)	1 1/2"
	<b>873-E1011S2B</b>	Diverter (Noryl)	2"
4	<b>873-E12S1B</b>	Spider Gasket (T.P.E.)	1 1/2"
	<b>873-E12S2B</b>	Spider Gasket (T.P.E.)	2"
5	<b>873-E15S1B</b>	1/4" Plug	1 1/2" and 2"
6	<b>873-E17S1B</b>	Sight Glass (Lexan)	1 1/2" and 2"
7	<b>873-E16S1B</b>	Sight Glass Gasket	1 1/2" and 2"

\*\* Please request price quote.



## Replacement Parts / UltraClean Pro Sand Filter (Discontinued 2015)



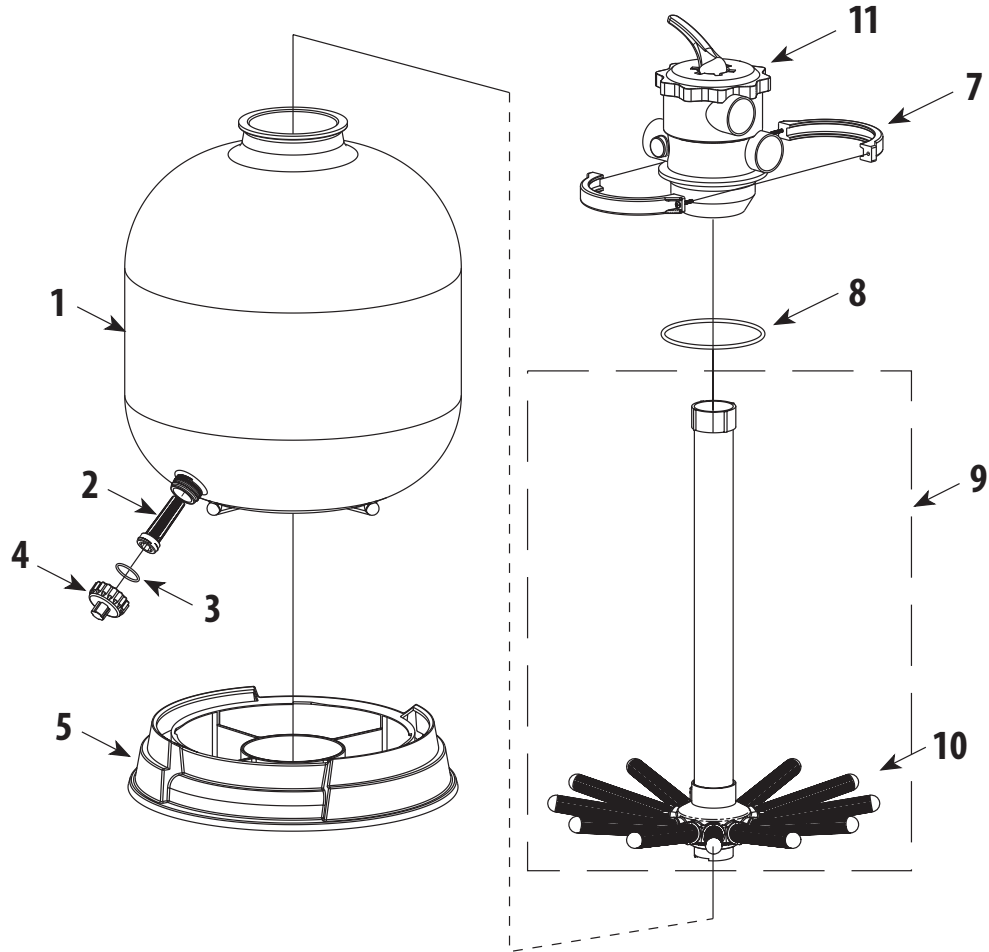
### UltraClean Pro Sand Filter Replacement Parts

Item	Part No.	Description
1	<b>515-2041TB</b>	26" Sand Filter Body
2	<b>419-4201B</b>	2 ½" Threaded Coupler (2 required)
3	<b>550-5410B</b>	2 ½" Outlet Assembly
4	<b>550-5420B</b>	2 ½" Inlet Assembly
5	<b>600-1500UCPB</b>	2 ½" Slide Valve Assembly
6	<b>519-5310B</b>	Sand Fill Guide
7	<b>519-5320B</b>	Diffuser Disbursement Basket Cap
8	<b>519-5370B</b>	Twist-Lock Lateral (12 required)
9	<b>519-5301B</b>	Access Dome Cover
10	<b>872-2130DB</b>	Tubing - ¾" outer diameter x 32" height
11	<b>519-5330SCB</b>	Diffuser Disbursement Basket
12	<b>602-5310B</b>	Self-Threading Drain Screen
13	<b>602-5301B</b>	Drain Screen Cap (2010 and earlier)
	<b>602-5321B</b>	Drain Screen Cap (new style - 2011)
14	<b>805-0339BN50B</b>	O-Ring (2 required)
15	<b>817-0001B</b>	2" Polyester Sock
16	<b>805-0224B</b>	O-Ring - Drain Screen Cap
17	<b>805-0116EPB</b>	O-Ring
18	<b>715-6011B</b>	Air Bleeder Plug
19	<b>805-0442B</b>	O-Ring - Access Dome Cover
20	<b>872-0046B</b>	Multi-Port Valve Clamp Kit with Nuts & Bolts
21	<b>672-5301B</b>	Filter Base
22	<b>830-3000B</b>	Pressure Gauge
23	<b>600-4101B</b>	Bezel Cover Assembly
24	<b>550-5430B</b>	Basket Assembly
25	<b>519-5421B</b>	Sand Fill Cap

\*\* Please request price quote.



# SmartClean Sand Filter - Top Mount (Discontinued 2015)



## Replacement Parts

### SmartClean Sand Filter -Top Mount Replacement Parts

Item	Part No.	Description
1	<b>515-2041TB</b>	26" SmartClean Sand Filter Body
2	<b>602-5310B</b>	Self-Threading Drain Screen
3	<b>711-5310B</b>	Drain Cap Gasket
4	<b>602-5301B</b>	Drain Screen Cap (2010 and earlier)
	<b>602-5321B</b>	Drain Screen Cap (new style - 2011)
5	<b>672-5301B</b>	SmartClean Sand Filter Base
7	<b>872-0046B</b>	Multi-Port Valve Clamp Kit with Nuts & Bolts
8	<b>805-0442B</b>	O-Ring - Multi-Port Valve
9	<b>550-5340B</b>	Top Mount Lateral and Manifold Assembly - 26"
	<b>550-5370B</b>	Top Mount Lateral and Manifold Assembly - 32"
10	<b>519-5370B</b>	Lateral
11	<b>WVS004B</b>	Top Mount Clamp Style - 2" FPT

\*\* Please request price quote.

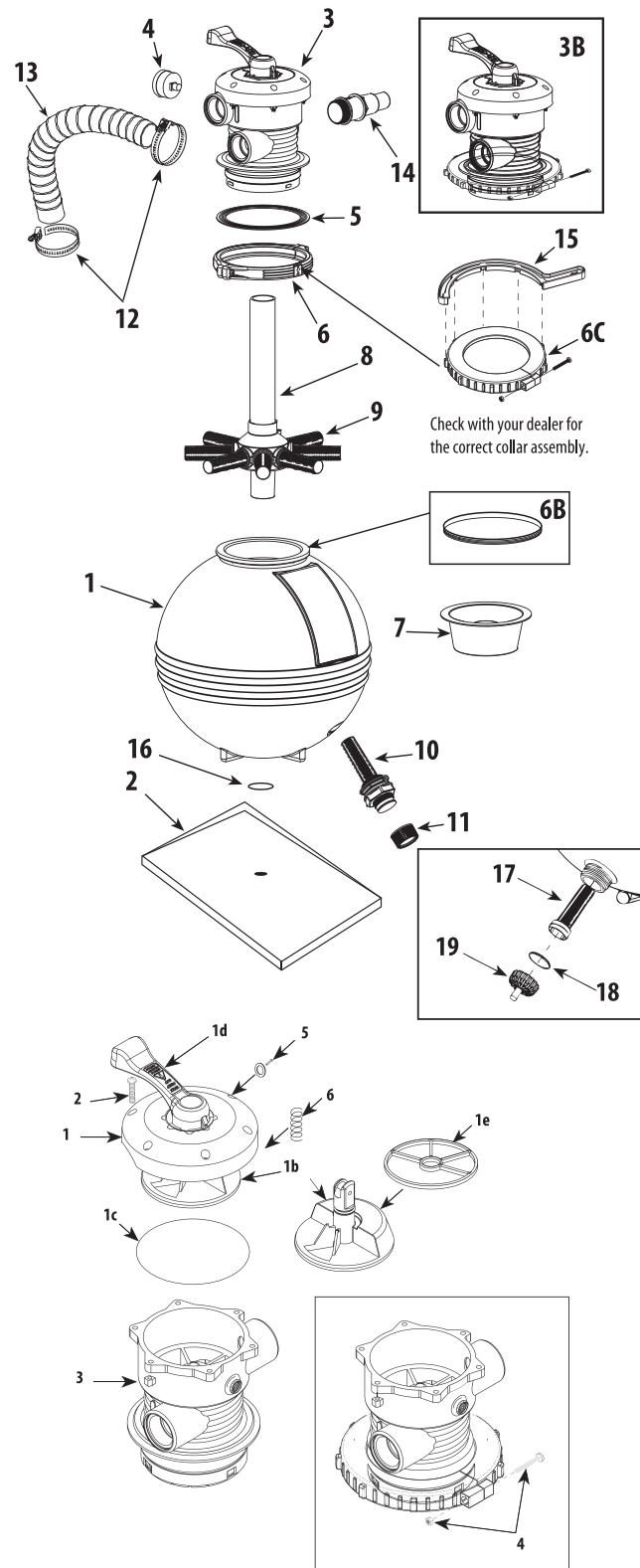
## TWM Sand Filter Replacement Parts

Item	Part No.	Description
1	505-0161B	16" Sand Filter Body with Threaded Sleeve Assembly
	505-0191B	19" Sand Filter Body with Threaded Sleeve Assembly
	505-0221B	22" Sand Filter Body with Threaded Sleeve Assembly
	505-0261B	26" Sand Filter Body with Threaded Sleeve Assembly
2	672-1000B	Equipment Base - 1" x 15 1/4" x 26 1/4"
3	WVS002B	1 1/2" Multi-Port Valve Assembly - Clamp Style (2001 and Earlier)
3B	WVS003B	1 1/2" Multi-Port Valve Assembly with Split-Nut (2002 to Present)
4	830-3000B	Pressure Gauge
5	711-1920B	Collar Gasket (use with Clamp Style)
6	505-2070B	Collar Assembly - Old Style (2001 and Earlier)
6B	505-3000B	Threaded Sleeve Assembly
6C	505-3010B	Multi-Port Valve Split-Nut Assembly
7	502-2011B	Sand Fill Guide
8	505-2040B	Lateral & Manifold Assembly - 16" Filter
	505-2050B	Lateral & Manifold Assembly - 19" Filter
	505-2060B	Lateral & Manifold Assembly - 22" Filter
	505-2080B	Lateral & Manifold Assembly - 26" Filter
9	505-1930B	Lateral - Threaded Style (2001 and Earlier)
	505-1950B	Lateral - Twist-Lock Style (2003 to Present)
10	505-2020B	Drain Assembly 2004 and earlier
11	505-2030B	Drain Cap Assembly 2004 and earlier
12	872-0011B	Hose Clamp - Stainless Steel - 2 1/2"
13	872-9002B	Corrugated Hose - Black - 1 1/2" x 6 ft. (2 required)
	872-9001B	Corrugated Hose - Black - 1 1/2" x 3 ft. (1 required)
14	425-1928B	Waste Adapter Fitting
15	505-1970B	Collar Wrench for Split-Nut Threaded Style (optional)
16	218-6680B	Washer
17	602-5310B	Self Threading Drain Screen
18	805-0224B	O-Ring - 1 1/2" Heater Tailpiece
19	602-5321B	Drain Screen Cap (new style - 2001)

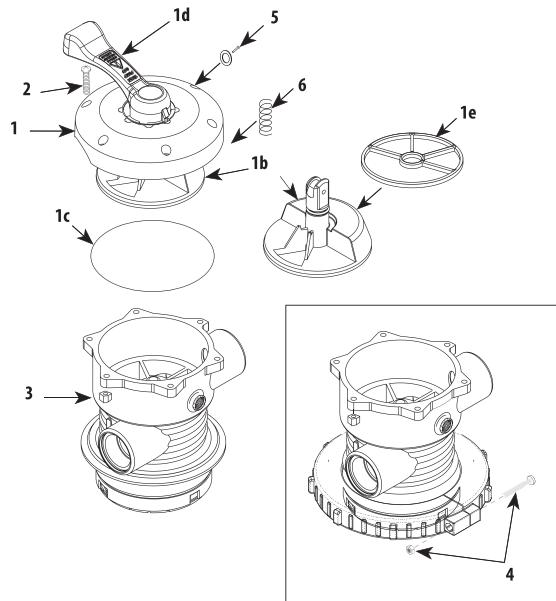
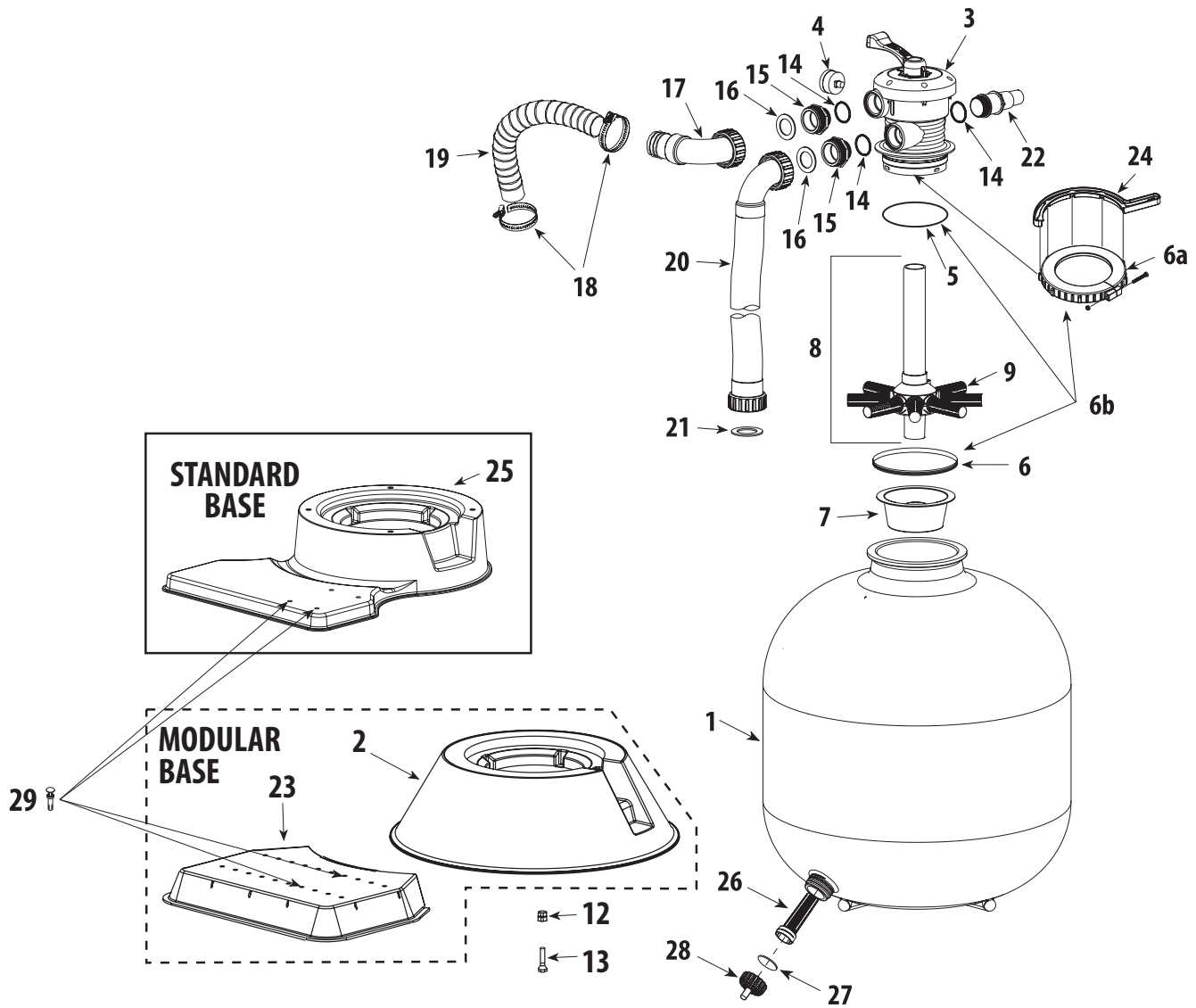
## Multi-Port Valve Assembly Replacement Parts

Item	Part No.	Description
1	600-9600B	Multi-Port Lid Assembly
1b	600-9500B	Diverter Valve Assembly
1c	805-0254B	O-Ring - Lid
1d	602-1931B	Lid Handle Only
1e	711-1910B	Diverter Gasket (Spider) <i>(Note: purchasing gasket glued into diverter by factory recommended)</i>
2	819-0010B	Lid Screw
3	820-0013B	Serrated Hex Nut
4	800-0100B	1 1/2" Split-Nut Bolt and Nut Kit
5	800-0150B	O-Ring Kit with Pin and Washer
6	827-0002B	Spring

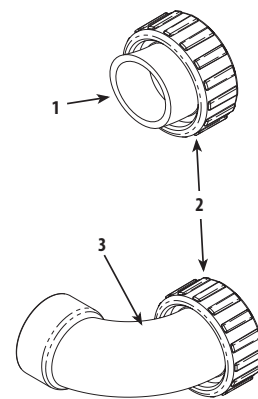
\*\* Please request price quote.



Multi-Port Valve Assembly



Multi-Port Valve Assembly



Hard Pump Options



**Carefree Sand Filter Replacement Parts**

Item	Part No.	Description
1	<b>505-0271B</b>	16" Oval Sand Filter Body with Threaded Sleeve Assembly
	<b>505-0281B</b>	19" Oval Sand Filter Body with Threaded Sleeve Assembly
	<b>505-0291B</b>	22" Oval Sand Filter Body with Threaded Sleeve Assembly
	<b>505-0301B</b>	26" Oval Sand Filter Body with Threaded Sleeve Assembly
2	<b>672-7211B</b>	Modular Filter Base
3	<b>WVS003B</b>	1 1/2" Multi-Port Valve Assembly - Split-Nut
4	<b>830-3000B</b>	Pressure Gauge
5	<b>805-0435B</b>	O-Ring - Multi-Port Valve
6	<b>505-3000B</b>	Threaded Sleeve Assembly
6a	<b>505-3010B</b>	Split-Nut Assembly - Multi-Port Valve
6b	<b>505-3020B</b>	Split-Nut Assembly - Multi-Port Valve with Thread Sleeve and O-Ring
7	<b>502-2011B</b>	Sand Fill Guide
8	<b>505-2140B</b>	Lateral and Manifold Assembly - 16" Filter
	<b>505-2150B</b>	Lateral and Manifold Assembly - 19" Filter
	<b>505-2160B</b>	Lateral and Manifold Assembly - 22" Filter
	<b>505-2180B</b>	Lateral and Manifold Assembly - 26" Filter
9	<b>505-1930B</b>	Lateral - Thread Style (8 required)
	<b>519-5370B</b>	Lateral - 22" and 26" Sand Filter (12 required)
10	<b>505-2020B</b>	Drain Assembly (2004 and earlier)
11	<b>505-2030B</b>	Drain Cap Assembly (2004 and earlier)
12	<b>820-0017B</b>	3/8" Flat Washer
13	<b>819-0016B</b>	3/8" Bolt - 16 x 2" Hex - 22" & 26" Sand Filter
	<b>819-0019B</b>	3/8" Bolt - 16 x 1 1/2" Hex - 19" Sand Filter
	<b>819-0020B</b>	3/8" Bolt - 16 x 1 1/4" Hex - 16" Sand Filter
14	<b>805-0224B</b>	O-Ring - 1 1/2" Buttress x 1 1/2" MPT Fitting
15	<b>417-4161B</b>	1 1/2" Buttress x 1 1/2" MPT Tailpiece
16	<b>711-4000B</b>	1 1/2" Union Gasket
17	<b>550-1841B</b>	Return Sweep Assembly
18	<b>872-0011B</b>	Hose Clamp - Stainless Steel - 2 1/2"
19	<b>872-9002B</b>	Corrugated Hose - Black - 1 1/2" x 6 ft.
20	<b>550-1821B</b>	PVC Flex Hose Assembly - 19" Sand Filter
	<b>550-1831B</b>	PVC Flex Hose Assembly - 22" Sand Filter
	<b>550-1833B</b>	PVC Flex Hose Assembly - 26" Sand Filter
21	<b>711-4010B</b>	2" Union Gasket
22	<b>425-1928B</b>	Waste Adapter Fitting
23	<b>672-7201B</b>	Pump Base
24	<b>505-1970B</b>	Collar Wrench for Threaded Style Split-Nut
25	<b>672-7241B</b>	Standard One-Piece Base
26	<b>602-5310B</b>	Self-Threading Drain Screen
27	<b>805-0224B</b>	O-Ring - 1 1/2" Heater Tailpiece
28	<b>602-5301B</b>	Drain Screen Cap (2010 and earlier)
	<b>602-5321B</b>	Drain Screen Cap (new style - 2001)
29	<b>429-7300B</b>	Replacement Kit Pin and Anchor Assembly (4 required)

**Multi-Port Valve Assembly Replacement Parts**

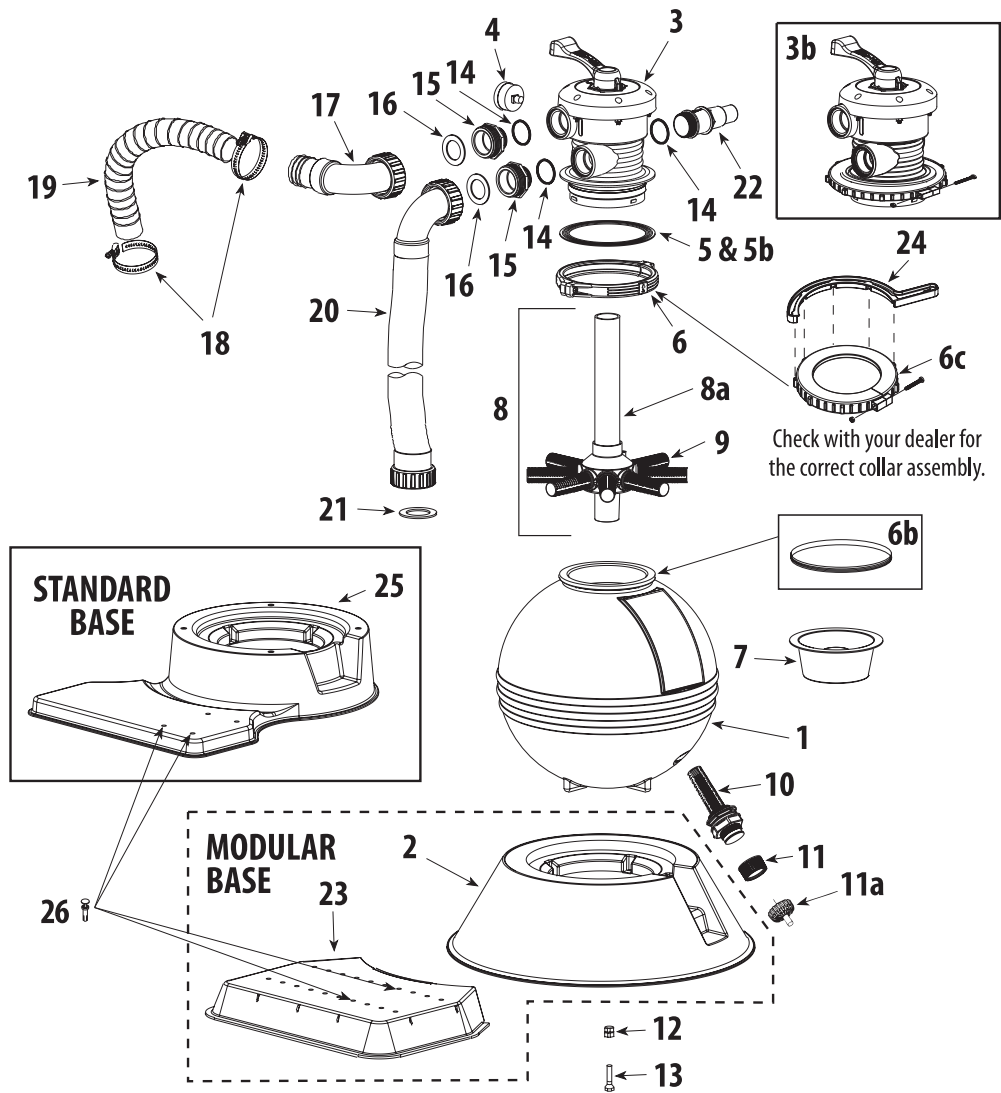
1	<b>600-9600B</b>	Multi-Port Lid Assembly
1b	<b>600-9500B</b>	Diverter Valve Assembly with Gasket
1c	<b>805-0254B</b>	O-Ring - Lid
1d	<b>602-1931B</b>	Lid Handle Only
1e	<b>711-1910B</b>	Diverter Gasket (Spider) (Note: purchasing gasket glued into diverter by factory recommended)
2	<b>819-0010B</b>	Screw - Lid
3	<b>820-0013B</b>	Serrated Hex Nut
4	<b>800-0100B</b>	1 1/2" Split-Nut Bolt & Nut Kit
5	<b>800-0150B</b>	O-Ring Kit with Pin & Washer
6	<b>827-0002B</b>	Spring

**Hard Pump Options**

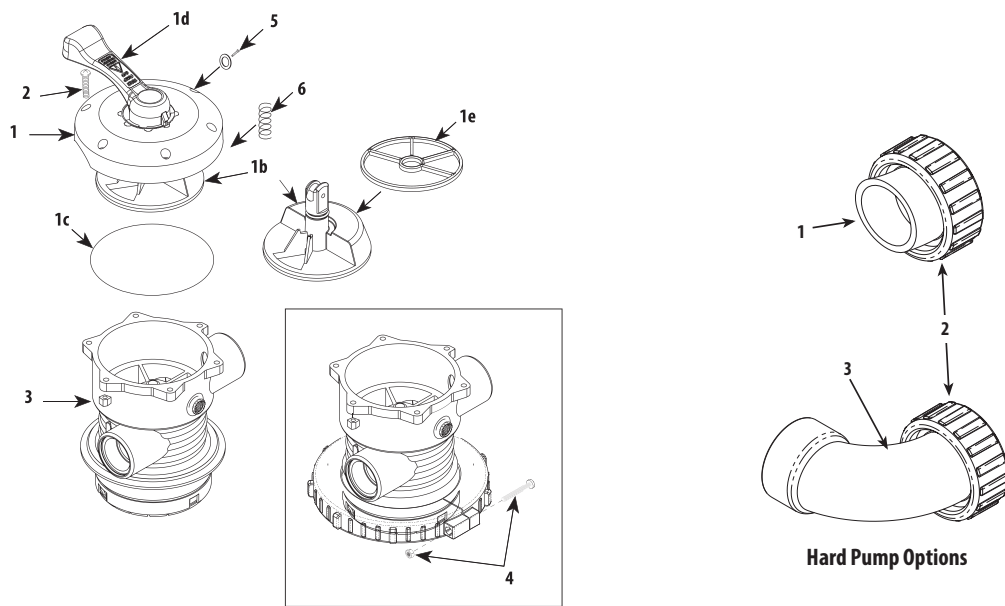
1	<b>400-4061B</b>	1 1/2" Socket Pump Union Assembly
2	<b>415-4001B</b>	1 1/2" Union Nut
3	<b>500-1901B</b>	1 1/2" Socket Return Sweep Assembly



# Replacement Parts / ClearWater Sand Filter



Replacement Parts







**ClearWater Sand Filter Replacement Parts**

Item	Part No.	Description
1	<b>505-0161B</b>	16" Sand Filter Body with Threaded Sleeve Assembly
	<b>505-0191B</b>	19" Sand Filter Body with Threaded Sleeve Assembly
	<b>505-0221B</b>	22" Sand Filter Body with Threaded Sleeve Assembly
	<b>505-0261B</b>	26" Sand Filter Body with Threaded Sleeve Assembly
2	<b>672-7211B</b>	Modular Filter Base
3	<b>WVS002B</b>	Multi-Port Valve Assembly - Clamp Style (2001 and Earlier)
3b	<b>WVS003B</b>	Multi-Port Valve Assembly - Split-Nut Style (2002 to Present)
4	<b>830-3000B</b>	Pressure Gauge
5	<b>711-1920B</b>	Collar Gasket (for Clamp Style) (2001 and Earlier)
5b	<b>805-0435B</b>	O-Ring - Multi-Port Valve (for Split-Nut Style)
6	<b>505-2070B</b>	Collar Assembly - Clamp Style (2001 and Earlier)
6b	<b>505-3000B</b>	Threaded Sleeve Assembly (2002 to Present)
6c	<b>505-3010B</b>	Split-Nut Assembly (included with WVS003)
7	<b>502-2011B</b>	Sand Fill Guide
8	<b>505-2040B</b>	Lateral and Manifold Assembly - 16" Filter
	<b>505-2050B</b>	Lateral and Manifold Assembly - 19" Filter
	<b>505-2060B</b>	Lateral and Manifold Assembly - 22" Filter
	<b>505-2080B</b>	Lateral and Manifold Assembly - 26" Filter
8a	<b>505-2240-RB</b>	Manifold Only - 16" Filter
	<b>505-2250-RB</b>	Manifold Only - 19" Filter
	<b>505-2260-RB</b>	Manifold Only - 22" Filter
9	<b>505-1930B</b>	Lateral - Thread Style (2003 and Earlier)
	<b>505-1950B</b>	Lateral - Twist-Lock Style (2004)
10	<b>505-2020B</b>	Drain Assembly (2004 and earlier)
11	<b>505-2030B</b>	Drain Cap Assembly (2004 and earlier)
11a	<b>602-5321B</b>	Drain Screen Cap (new style - 2001)
12	<b>820-0017B</b>	3/8" Flat Washer
13	<b>819-0016B</b>	3/8" Bolt -16 x 2" Hex - 22" & 26" Sand Filter
	<b>819-0019B</b>	3/8" Bolt -16 x 1 1/2" Hex - 19" Sand Filter
	<b>819-0020B</b>	3/8" Bolt -16 x 1 1/4" Hex - 16" Sand Filter
14	<b>805-0224B</b>	O-Ring - 1 1/2" Buttress x 1 1/2" MPT Fitting
15	<b>417-4161B</b>	1 1/2" Buttress x 1 1/2" MPT Tailpiece
16	<b>711-4000B</b>	1 1/2" Union Gasket
17	<b>550-1841B</b>	Return Sweep Assembly
18	<b>872-0011B</b>	Hose Clamp - Stainless Steel
19	<b>872-9002B</b>	Corrugated Hose - Black - 1 1/2" x 6 ft.
20	<b>550-1801B</b>	PVC Flex Hose Assembly - 16" Sand Filter
	<b>550-1811B</b>	PVC Flex Hose Assembly - 19" Sand Filter
	<b>550-1821B</b>	PVC Flex Hose Assembly - 22" Sand Filter
	<b>550-1831B</b>	PVC Flex Hose Assembly - 26" Sand Filter
21	<b>711-4010B</b>	2" Union Gasket
22	<b>425-1928B</b>	Waste Adapter Fitting
23	<b>672-7201B</b>	Pump Base
24	<b>505-1970B</b>	Collar Wrench for Split-Nut Threaded Style
25	<b>672-7241B</b>	Standard One-Piece Base
26	<b>429-7300B</b>	Replacement Kit Pin and Anchor Assembly (4 required)

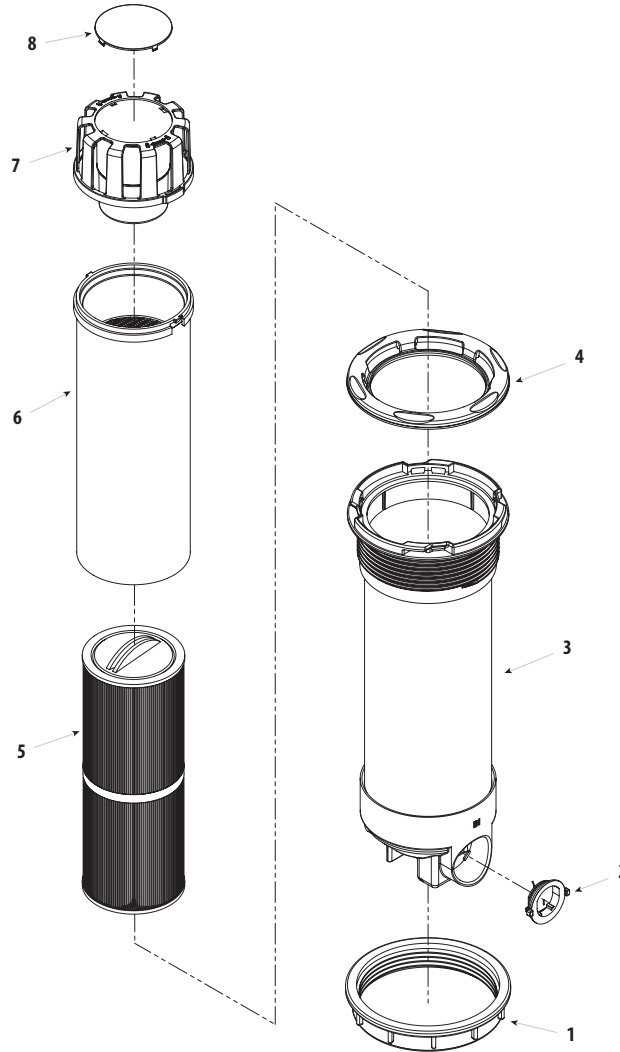
**Multi-Port Valve Assembly Replacement Parts**

1	<b>600-9600B</b>	Multi-Port Lid Assembly
1b	<b>600-9500B</b>	Diverter Valve Assembly with Gasket
1c	<b>805-0254B</b>	O-Ring - Lid
1d	<b>602-1931B</b>	Lid Handle Only
1e	<b>711-1910B</b>	Diverter Gasket (Spider) (Note: purchasing gasket glued into diverter by factory recommended)
2	<b>819-0010B</b>	Lid Screw
3	<b>820-0013B</b>	Serrated Hex Nut
4	<b>800-0100B</b>	Split-Nut Bolt and Nut Kit
5	<b>800-0150B</b>	O-Ring Kit with Pin and Washer
6	<b>827-0002B</b>	Spring

**Hard Pump Options**

1	<b>400-4061B</b>	1 1/2" Socket Pump Union Assembly
2	<b>415-4001B</b>	1 1/2" Union Nut
3	<b>500-1901B</b>	1 1/2" Socket Return Sweep Assembly

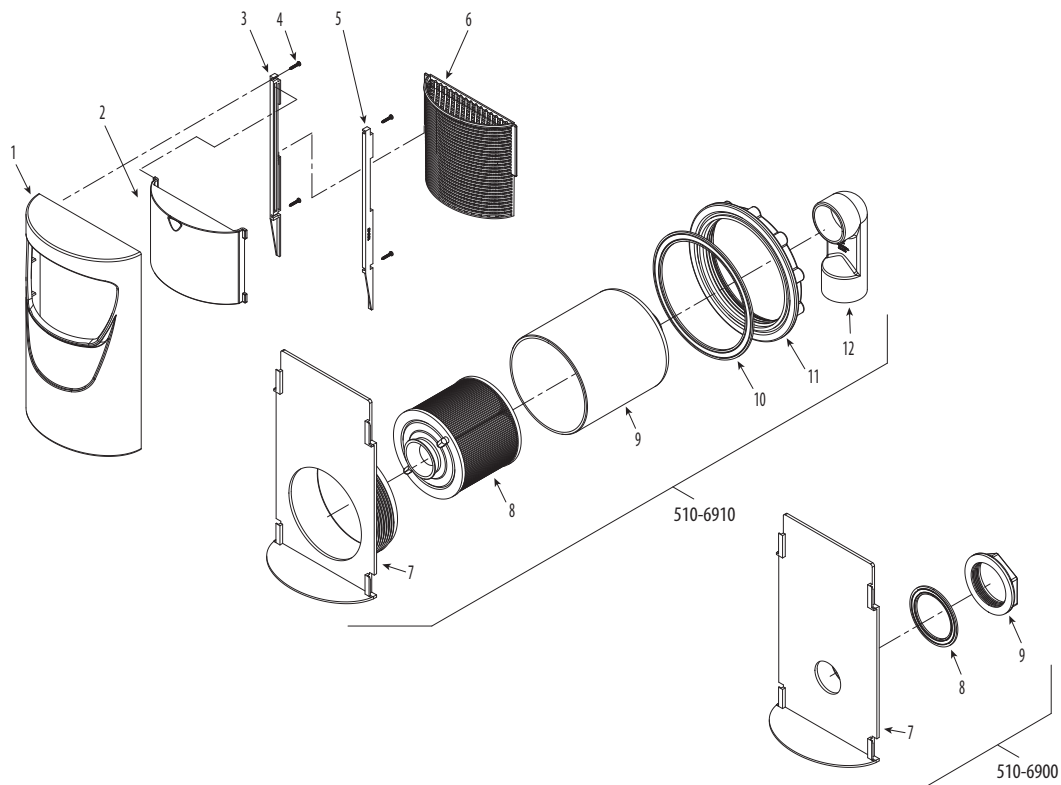
Replacement Parts



Teleweir		
Item	Part No.	Description
1	<b>718-1000B</b>	Top-Mount Filter Nut
2	<b>600-1040B</b>	2" Bypass Valve
3	<b>550-5735-1B</b>	35 sq. ft. Teleweir Body Assembly
	<b>550-5750-1B</b>	50 sq. ft. Teleweir Body Assembly
	<b>550-5775-1B</b>	75 sq. ft. Teleweir Body Assembly
4	<b>519-8310B</b>	Teleweir Trim Ring - 6-Scallop
5	<b>817-4035B</b>	35 sq. ft. Teleweir Cartridge
	<b>817-4050B</b>	50 sq. ft. Teleweir Cartridge
	<b>817-4075B</b>	75 sq. ft. Teleweir Cartridge
6	<b>550-5835-1B</b>	35 sq. ft. Inner Pipe & Basket Assembly
	<b>550-5850-1B</b>	50 sq. ft. Inner Pipe & Basket Assembly
	<b>550-5875-1B</b>	75 sq. ft. Inner Pipe & Basket Assembly
7	<b>550-5701B</b>	Upper Weir Teleweir Sub-Assembly
8	<b>519-0300B</b>	Teleweir Cap

\*\* Please request price quote.

## Replacement Parts / Deluxe Strip Skimmer and Skim Filter



### 510-6900 - Deluxe Strip Skimmer Replacement Parts

Item	Part No.	Description
1	<b>519-6900B</b>	Weir Frame
2	<b>550-6910B</b>	Weir Door Assembly
3	<b>519-6940.RB</b>	Guide Frame - Right
4	<b>819-0114B</b>	Screw (4 required)
5	<b>519-6940.LB</b>	Guide Frame - Left
6	<b>519-6951B</b>	Basket
7	<b>519-6981B</b>	Weir Plate Outlet
8	<b>711-4350B</b>	Wall Fitting Gasket
9	<b>718-3150B</b>	Wall Fitting Nut
10	<b>819-0008B</b>	Screw, #8 PPH

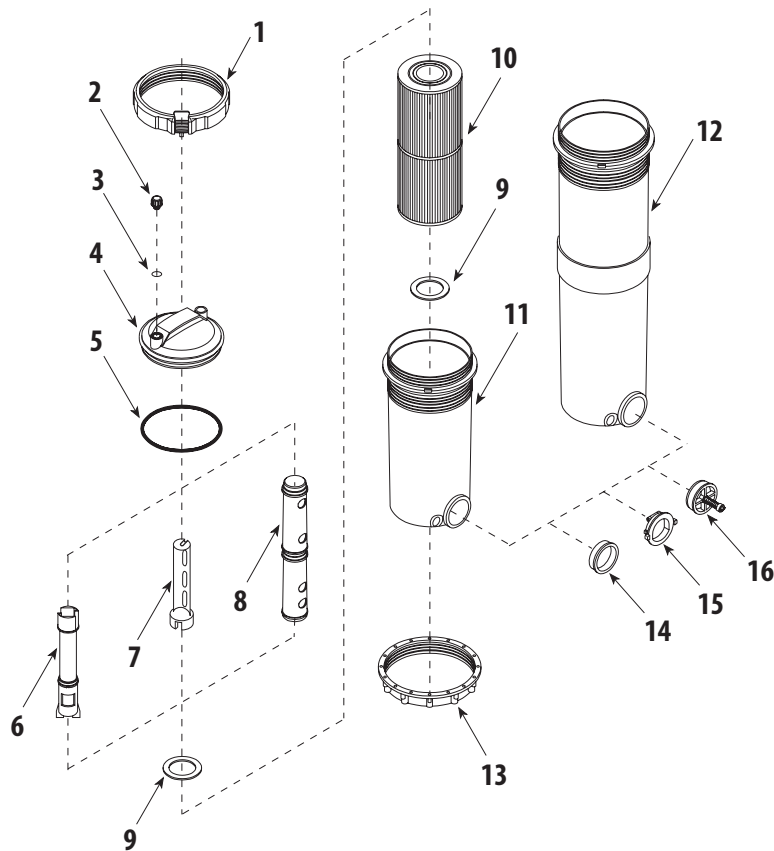
### 510-6910 - Deluxe Skim Filter Replacement Parts

Item	Part No.	Description
1	<b>519-6900B</b>	Weir Frame
2	<b>550-6910B</b>	Weir Door Assembly
3	<b>519-6940.RB</b>	Guide Frame - Right
4	<b>819-0114B</b>	Screw (4 required)
5	<b>519-6940.LB</b>	Guide Frame - Left
6	<b>519-6951B</b>	Basket
7	<b>519-6961B</b>	Weir Plate Outlet
8	<b>817-0020B</b>	10 sq. ft. Cartridge
9	<b>519-6970B</b>	Weir Filter Housing
10	<b>711-7000B</b>	Wall Fitting Gasket
11	<b>718-7000B</b>	Wall Fitting Nut
12	<b>411-6910B</b>	90° EII - 2\" SPG x 2\" S
13	<b>819-0008B</b>	Screw, #8 PPH

\*\* Please request price quote.

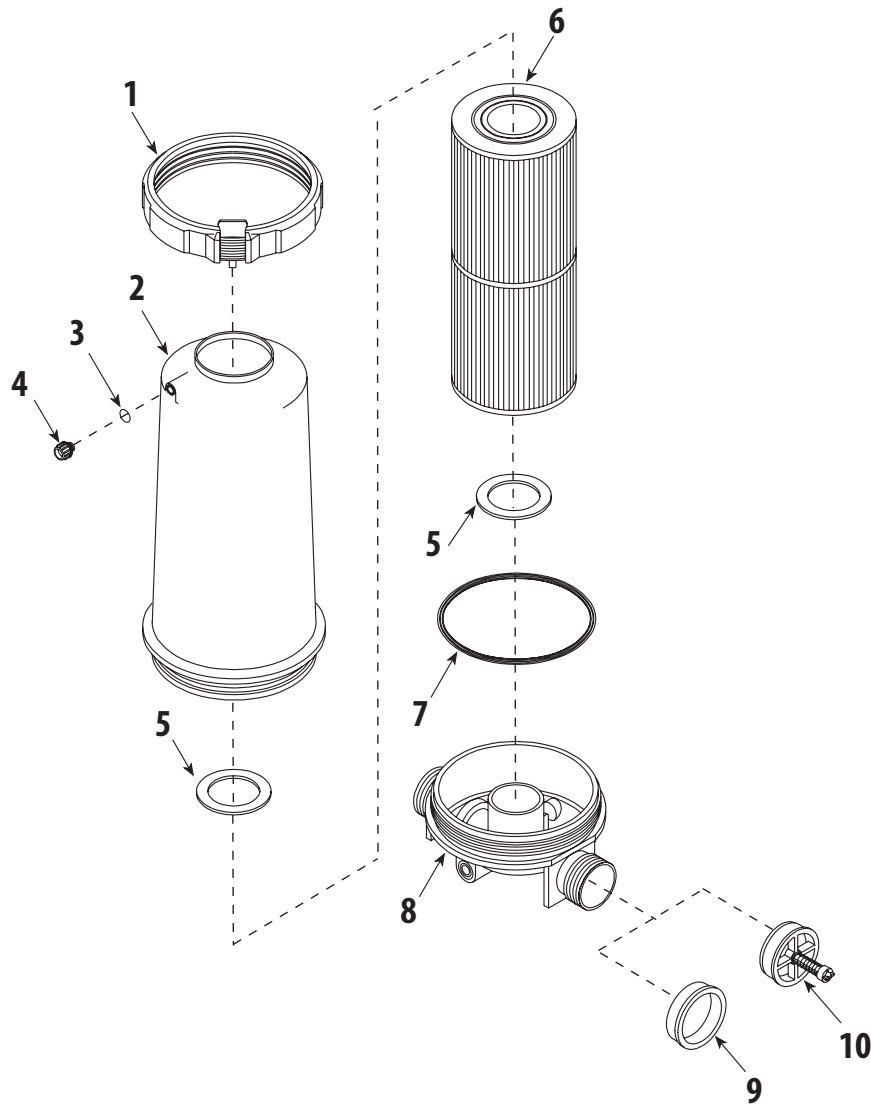


## Replacement Parts / 1 1/2" and 2" Top-Load Filter



### 1 1/2" and 2" Top-Load Filter Replacement Parts

Item	Part No.	Description
1	500-1000B	Lock Ring Assembly
2	715-1001B	Plug - Air Relief
3	805-0114B	O-Ring - Air Relief Plug
4	511-1000B	Filter Lid with Handle
5	805-0360B	O-Ring - Filter Lid
6	500-1070B	Brominator Assembly - 10 Tablet
7	519-1051B	Mineral Purifier Canister Holder
8	500-1060B	Flow Restriction Tube
9	711-1010B	Spacer Ring
10	817-2500B	Filter Cartridge - 25 sq. ft. - 4 1/16" OD x 13 5/16" L
	817-5000B	Filter Cartridge - 50 sq. ft. - 4 1/16" OD x 13 5/16" L
	817-7500B	Filter Cartridge - 75 sq. ft. - 4 1/16" OD x 23 3/8" L
	817-1000B	Filter Cartridge - 100 sq. ft. - 4 1/16" OD x 23 3/8" L
11	550-5000B	1 1/2" Filter Body - with Bypass
	550-4990B	1 1/2" Filter Body - with Plug
	550-5010B	2" Filter Body - with Bypass
	550-5060B	2" Filter Body - with Plug
12	550-5110B	1 1/2" Extended Filter Body - with Bypass
	550-5150B	1 1/2" Extended Filter Body - with Plug
	550-5230B	2" Extended Filter Body - with Bypass
	550-5220B	2" Extended Filter Body - with Plug
13	718-1000B	Nut - Filter Body
14	715-1010B	1 1/2" Plug
	715-9900B	2" Plug
15	600-1040B	2" Bypass Valve Assembly
16	600-1000B	1 1/2" Bypass Valve Assembly



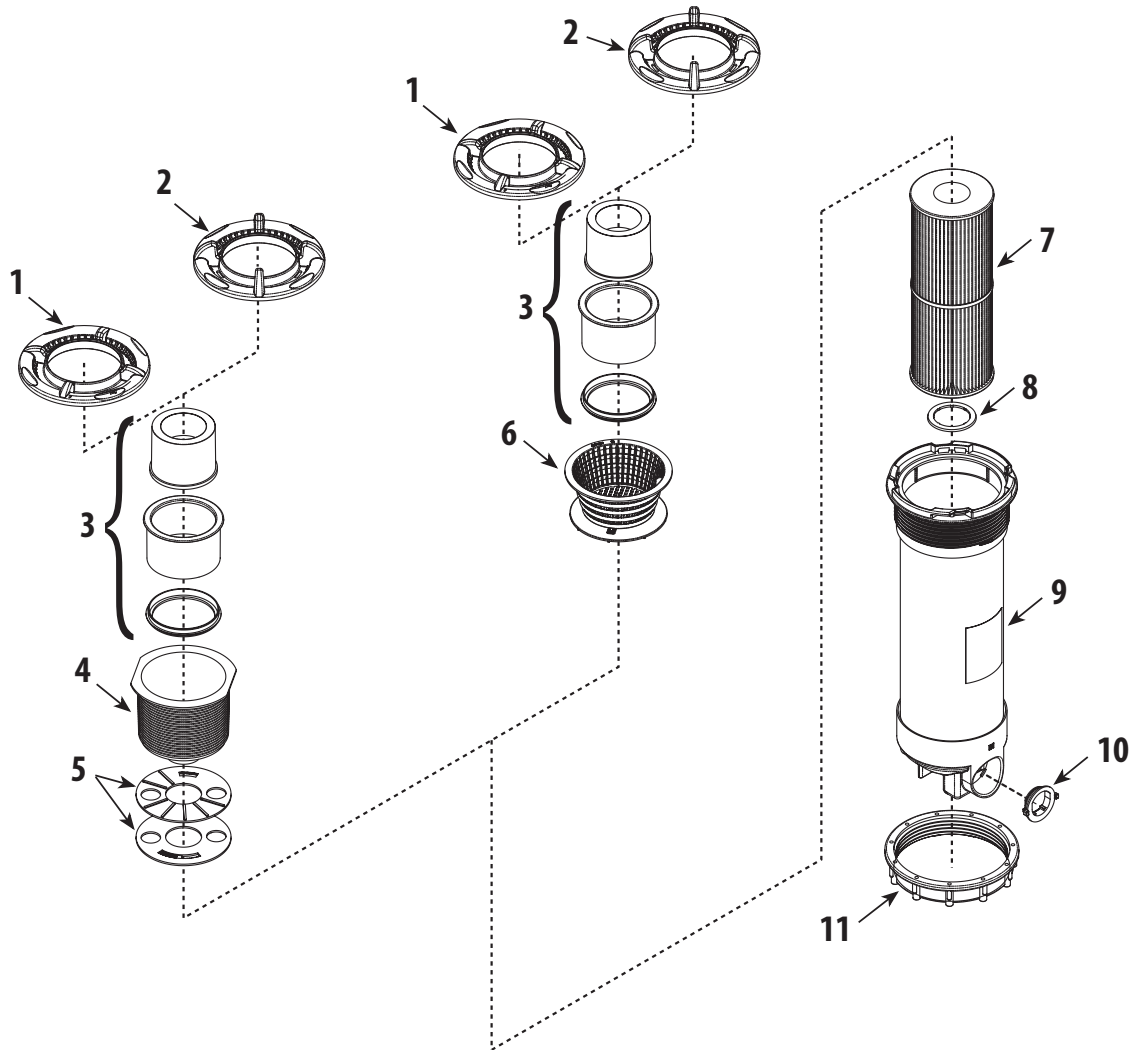
### 1 ½" In-Line Filter Replacement Parts

Item	Part No.	Description
1	<b>500-1000B</b>	Lock Ring Assembly
2	<b>515-1010B</b>	In-line Filter Body
3	<b>805-0114B</b>	O-Ring - Air Relief Plug
4	<b>715-1001B</b>	Plug - Air Relief
5	<b>711-1010B</b>	Spacer Ring
6	<b>817-2500B</b>	Filter Cartridge - 25 sq. ft. - 4 15/16" OD x 13 3/16" L
	<b>817-5000B</b>	Filter Cartridge - 50 sq. ft. - 4 15/16" OD x 13 3/16" L
7	<b>805-0360B</b>	O-Ring - Filter Lid
8	<b>511-1010B</b>	1 ½" Filter Lid
9	<b>715-1010B</b>	1 ½" Plug
10	<b>600-1000B</b>	1 ½" Bypass Valve

\*\* Please request price quote.



## Replacement Parts / Dyna-Flo Top Mount Skim Filter

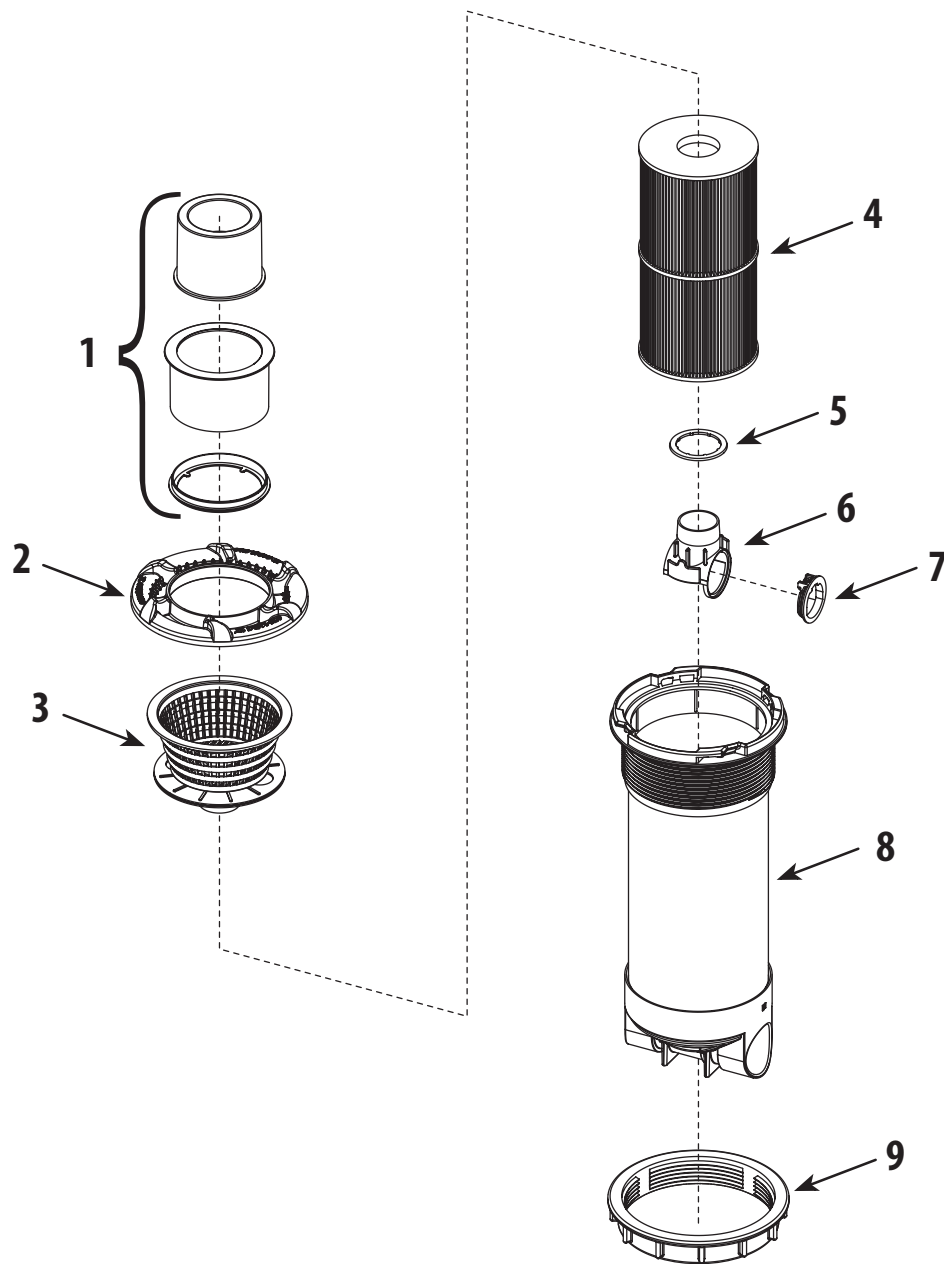


### Dyna-Flo Top Mount Skim Filter Replacement Parts

Item	Part No.	Description
1	<b>519-8070B</b>	4-Scalloped Trim Ring - Low Volume - White
2	<b>519-8050B</b>	4-Scalloped Trim Ring - High Volume - White
3	<b>550-2630B</b>	Weir Assembly - 3-Piece - White
4	<b>519-8000B</b>	Basket - White - 6.4" diameter x 5.62" H
5	<b>519-3010B</b>	Diverter Plate
6	<b>500-2680B</b>	Low Profile Basket Assembly - White - 6.35" diameter x 2.75" H
7	<b>817-2500B</b>	Filter Cartridge - 25 sq. ft. - 4 1/8" OD x 13 5/8" L
	<b>817-3501B</b>	Filter Cartridge - 40 sq. ft. - 4 1/8" OD x 9 1/4" L
	<b>817-5000B</b>	Filter Cartridge - 50 sq. ft. - 4 1/8" OD x 13 5/8" L
8	<b>711-1010B</b>	Spacer Ring
9	--	Body
10	<b>600-1040B</b>	2" Bypass Valve
11	<b>718-1000B</b>	Nut - Filter Body

\*\* Please request price quote.





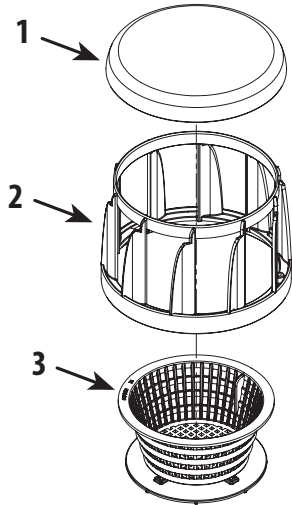
### Dyna-Flo XL Skim Filter Replacement Parts

Item	Part No.	Description
1	<b>550-8620B</b>	Weir Assembly
2	<b>519-8260B</b>	Scalloped Trim Ring
3	<b>550-8631B</b>	Basket Assembly - Black - 8.0" diameter x 3.5" H
4	<b>817-0017B</b>	Dyna-Flo XL Cartridge - 50 sq. ft. - 2 3/8" x 6 9/16" OD x 13 5/16" L
	<b>817-0018B</b>	Dyna-Flo XL Cartridge - 75 sq. ft. - 2 3/8" x 6 9/16" OD x 13 5/16" L
	<b>817-0019B</b>	Dyna-Flo XL Cartridge - 100 sq. ft. - 2 3/8" x 6 9/16" OD x 17 13/16" L
5	<b>711-8200B</b>	Spacer Ring
6	<b>602-8210B</b>	Bottom Body Insert with Bypass Valve
7	<b>600-1020B</b>	2 1/2" Bypass Valve
8	--	Body
9	<b>718-8200B</b>	Nut

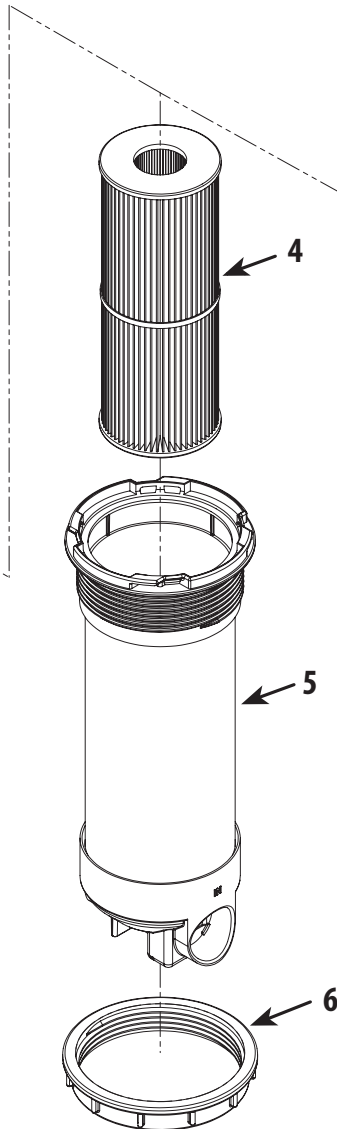
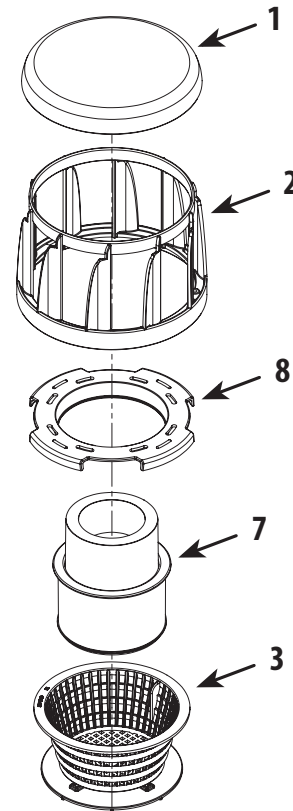
\*\* Please request price quote.



**Ultra Skim Filter Assembly  
514-6550**



**Ultra Skim XL Filter Assembly  
514-6580**

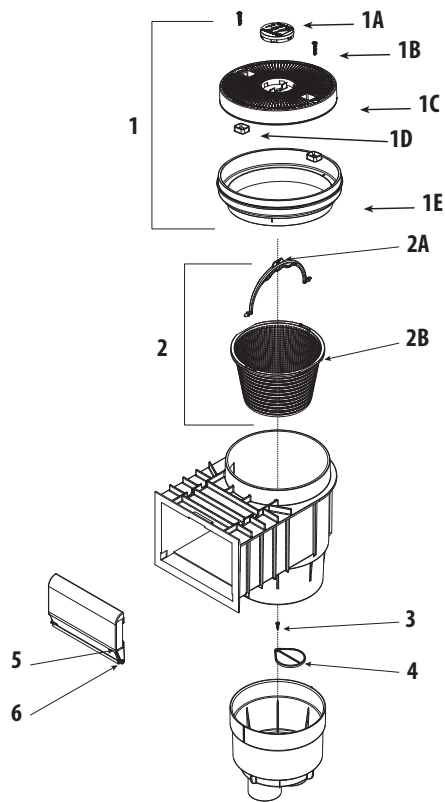


**Ultra Skim Filter Replacement Parts**

Item	Part No.	Description
1	<b>519-8160B</b>	Lid
2	<b>519-8150B</b>	Turbine
3	<b>500-2697B</b>	Basket Assembly - 6.35" diameter x 2.75" H
4	<b>817-2500B</b>	Filter Cartridge - 25 sq. ft. - 4 1/8" OD x 13 3/8" L
	<b>817-3501B</b>	Filter Cartridge - 40 sq. ft. - 4 1/8" OD x 9 1/4" L
	<b>817-5000B</b>	Filter Cartridge - 50 sq. ft. - 4 1/8" OD x 13 3/8" L
5	--	Body
6	<b>718-1000B</b>	Filter Body Nut
7	<b>550-2630B</b>	Weir Assembly - 3 Piece - White
8	<b>519-2010B</b>	Ultra Skim Filter - Weir Retainer Ring

\*\* Please request price quote.

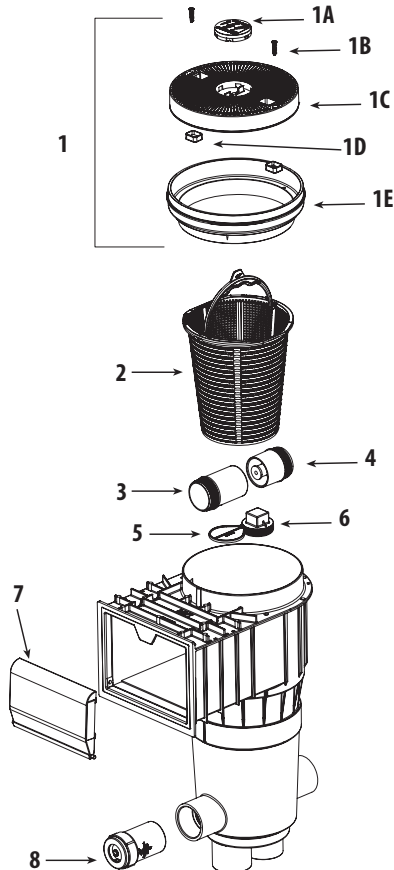
## Replacement Parts / Renegade Gunite and Venturi / Deep Basket Skimmers



**Renegade Gunite In-Ground Skimmer**

### Renegade Gunite In-Ground Skimmer Replacement Parts

Item	Part No.	Description
1	---	Reversible lid assy
1A	519-7860WW	Lid logo insert
1B	819-4350	Screws #8 x 5/8
1C	519-7800	Reversible Lid
1D	715-7800	Plugs for reversible lid
1E	519-7900	Mounting ring lid base
2	519-3240B	Basket Assembly with Handle
2A	519-3250B	Basket handle
2B	542-3240B	Basket
3	550-995xB	Screw
4	519-6470	Diverter Plate
5	550-9950B	Weir door assy
6	865-0200	Weir door foam



**Renegade Venturi and Deep Basket**

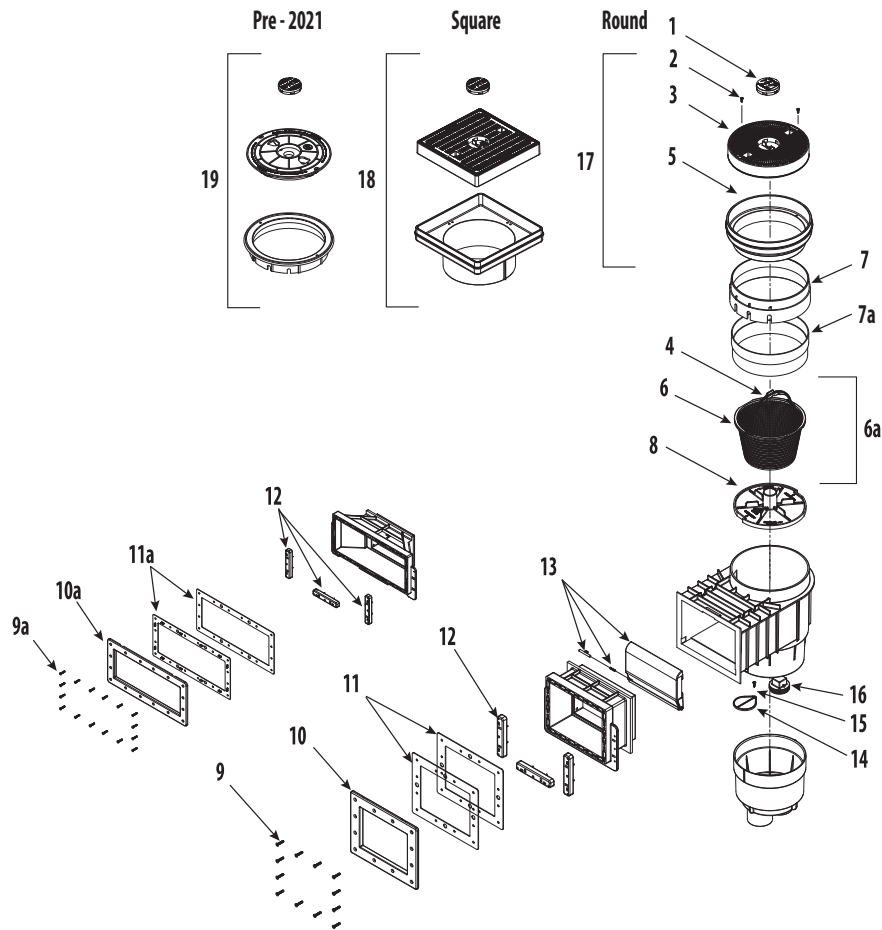
### Renegade Venturi and Deep Basket Skimmer Replacement Parts

Item	Part No.	Description
1	---	Reversible lid assy
1A	519-7860WW	Lid logo insert
1B	819-4350	Screws #8 x 5/8
1C	519-7800	Reversible Lid
1D	715-7800	Plugs for reversible lid
1E	519-7900	Mounting ring lid base
2	519-9600	Venturi basket
3	519-9640	Nozzle
4	519-9650	2" outlet port
5	519-6470	Diverter Plate
6	715-9910	2" NPT Plug
7	550-9950	Weir door assy
8	519-9660	2" inlet port

\*\* Please request price quote.



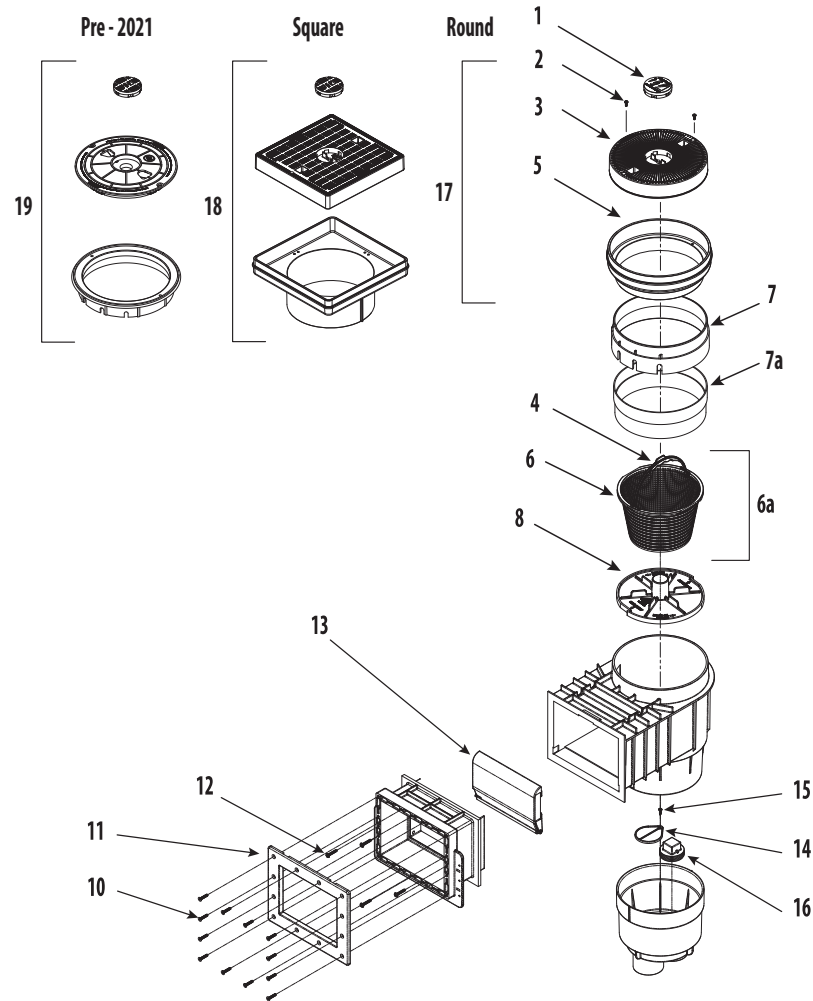
## Replacement Parts / Renegade Vinyl Liner Skimmer



### Renegade Vinyl Liner Skimmer Replacement Parts

Item	Part No.	Description
1	<b>519-7860WWB</b>	Logo Lid Insert
2	<b>819-0100B</b>	Screw #10 x 1" (2 required)
3	<b>519-7800</b>	Reversible - Fillable Round Lid
4	<b>519-3250B</b>	Basket Handle
5	<b>519-7900B</b>	Extended Collar Deck Flange - Round
5a	<b>519-6480-R1B</b>	New Vacuum Plate (2014 & newer)
6	<b>519-3240B</b>	Basket - 8.12" diameter x 5.25" H
6a	<b>542-3240B</b>	Basket Assembly with Handle
7	<b>519-9510B</b>	Round Collar
7a	<b>519-6545B</b>	Round Collar - Extension
8	<b>519-6480B</b>	Vacuum Plate - Twist-Lock (2013 & older)
9	<b>819-6945B</b>	Screw #12 x 1 1/4" PFH (12 required)
9a	<b>819-0030B</b>	#12 x 1 1/4" Philips Pan Head Screw SS (12 Required)
10	<b>519-9530B</b>	Mounting Plate - Standard
10a	<b>519-9550B</b>	Mounting Plate - Wide Mouth
11	<b>711-9510B</b>	Gasket - Standard (2 required)
11a	<b>711-9520B</b>	Gasket - Wide Mouth (2 required)
12	<b>713-9520B</b>	Spacer (3 required)
13	<b>550-995xB</b>	Weir Door Assembly
14	<b>519-6470B</b>	Diverter Plate
15	<b>819-4350B</b>	Screw - 8 x 5/8"
16	<b>715-9910B</b>	2" NPT Plug
17	<b>540-7800B</b>	Reversible - Fillable Round Lid Assembly
18	<b>540-7900B</b>	Reversible - Fillable Square Lid Assembly
19	<b>540-6460WWB</b>	Pool Skimmer Lid

## Replacement Parts / Renegade Fiberglass Skimmer



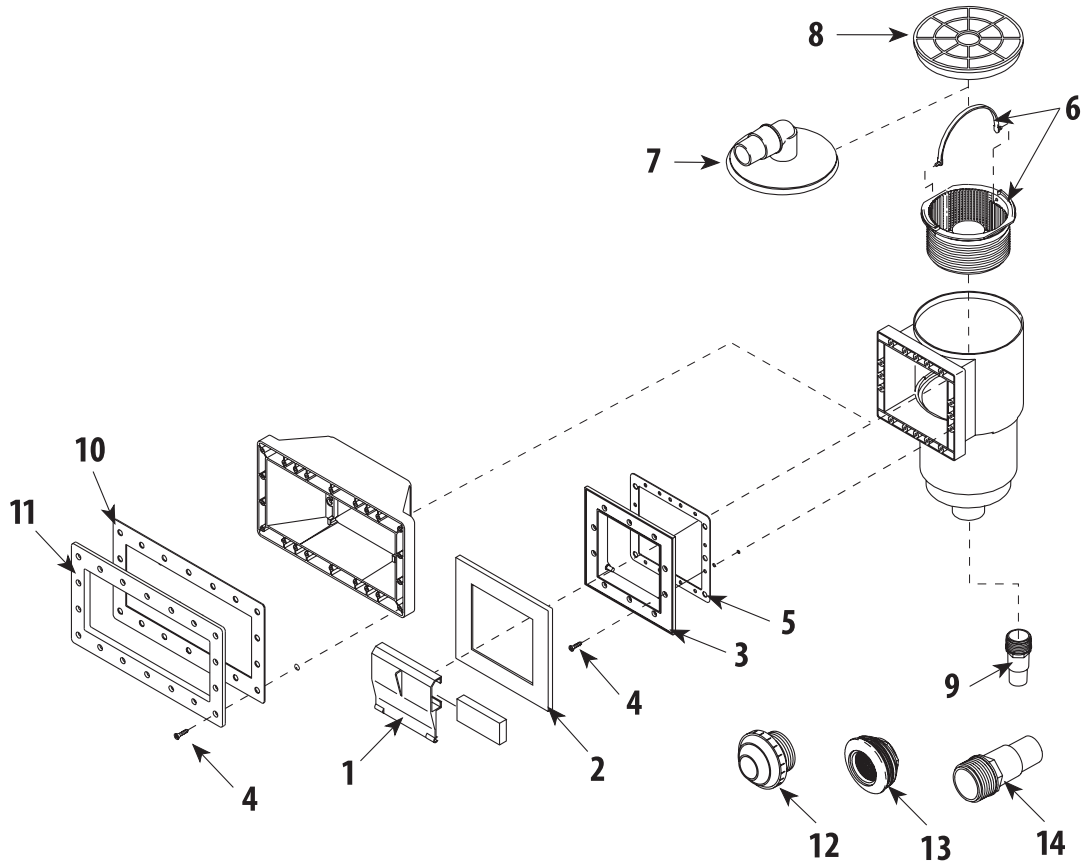
### Renegade Fiberglass Skimmer Replacement Parts

Item	Part No.	Description
1	<b>519-7860WWB</b>	Logo Lid Insert
2	<b>819-0100B</b>	Screw #8-32 x 7/16" Phil Pan Head (2 required)
3	<b>519-7800</b>	Square Lid
4	<b>519-3250B</b>	Basket Handle
5	<b>519-949xB</b>	Extended Collar Deck Flange - Round
5a	<b>519-6480-R1B</b>	New Vacuum Plate (2014 & newer)
6	<b>519-3240B</b>	Basket - 8.12" diameter x 5.25" H
6a	<b>542-3240B</b>	Basket Assembly with Handle
7	<b>519-9510B</b>	Round Collar
7a	<b>519-6570B</b>	Round Collar - Extension
8	<b>519-6480B</b>	Vacuum Plate - Twist-Lock (2013 & older)
9	<b>519-6560B</b>	Mounting Ring Extension (2 included)
10	<b>819-6950B</b>	Screw #12 x 1 1/2" PFH Type B (12 required)
11	<b>519-9530B</b>	Mounting Plate
12	<b>819-0030B</b>	Screw #12 x 1 1/4" PPH Stainless Steel (4 required)
13	<b>550-995xB</b>	Weir Door Assembly
14	<b>519-6470B</b>	Diverter Plate
15	<b>819-4350B</b>	Screw - 8 x 5/8"
16	<b>715-9910B</b>	2" NPT Plug
17	<b>540-7800B</b>	Reversible - Fillable Round Lid Assembly
18	<b>540-7900B</b>	Reversible - Fillable Square Lid Assembly
19	<b>540-6460WWB</b>	Pool Skimmer Lid

\*\* Please request price quote.



## Replacement Parts / Flo-Pro II Above Ground Skimmer

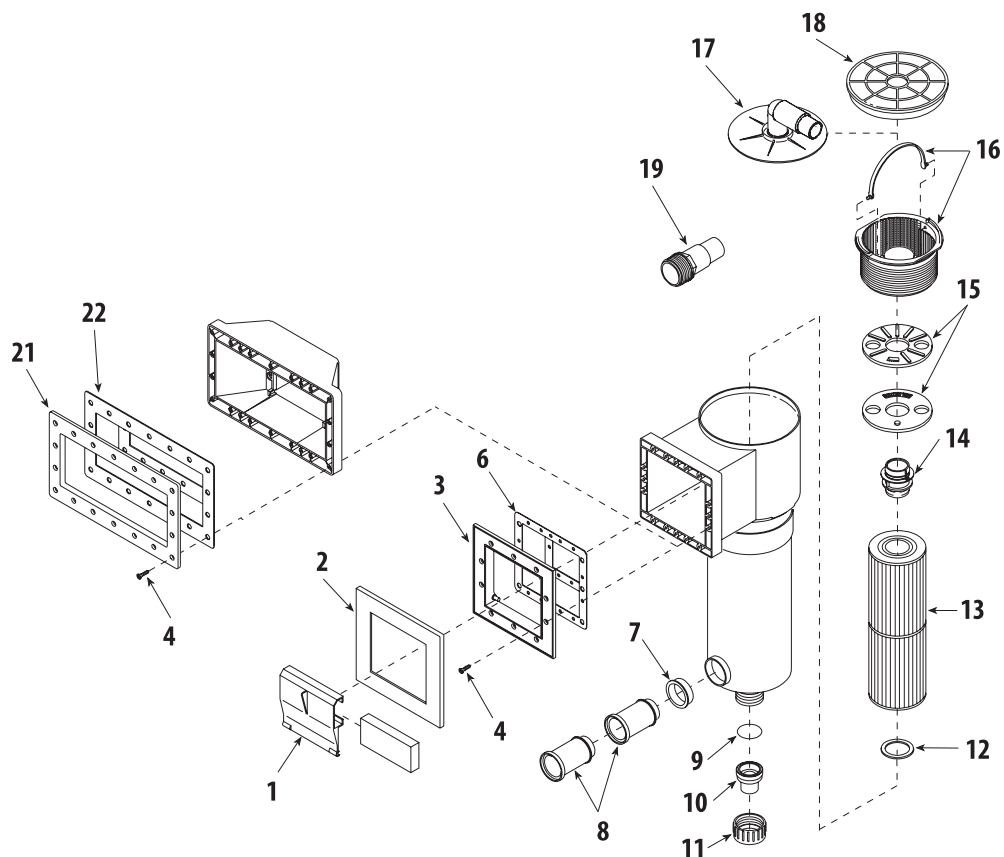


### Flo-Pro II Above-Ground Skimmer Replacement Parts

Item	Part No.	Description
1	<b>542-3060B</b>	Weir Door Assembly with Foam
2	<b>519-3090B</b>	Trim Plate <i>(optional)</i>
3	<b>519-3180B</b>	Mounting Plate - Front Access
4	<b>819-0006B</b>	Screw - #12 x 1 1/4" PFH 18-8 Sms <i>(10 for Regular Skimmer; 18 for Wide Mouth)</i>
5	<b>711-0060B</b>	Anti-Rust Wall Protection Gasket - Regular
6	<b>550-1030B</b>	Basket Assembly with Handle - 6.38" diameter x 4.10" H
7	<b>519-3150B</b>	Vacuum Plate - Front Access with 90° Elbow
8	<b>519-3030B</b>	Lid - Front Access
9	<b>417-6140B</b>	Hose Adapter - 1 1/2" MPT x 1 1/2" Hose
	<b>417-6150B</b>	Hose Adapter - 1 1/2" Barb <i>(optional)</i>
10	<b>711-0070B</b>	Anti-Rust Wall Protection Gasket - Wide Mouth
11	<b>519-4110B</b>	Mounting Plate - Wide Mouth
12	<b>400-1410DB</b>	Eyeball Fitting - 3/4" Eyeball
	<b>400-1410EB</b>	Eyeball Fitting - 1" Eyeball
13	<b>400-9170B</b>	Return Wall Fitting with Locknut and Gaskets - 1 1/2" FPT
14	<b>417-6060B</b>	Hose Adapter Fitting - 1 1/2" MPT x 1 1/4" Hose

\*\* Please request price quote.





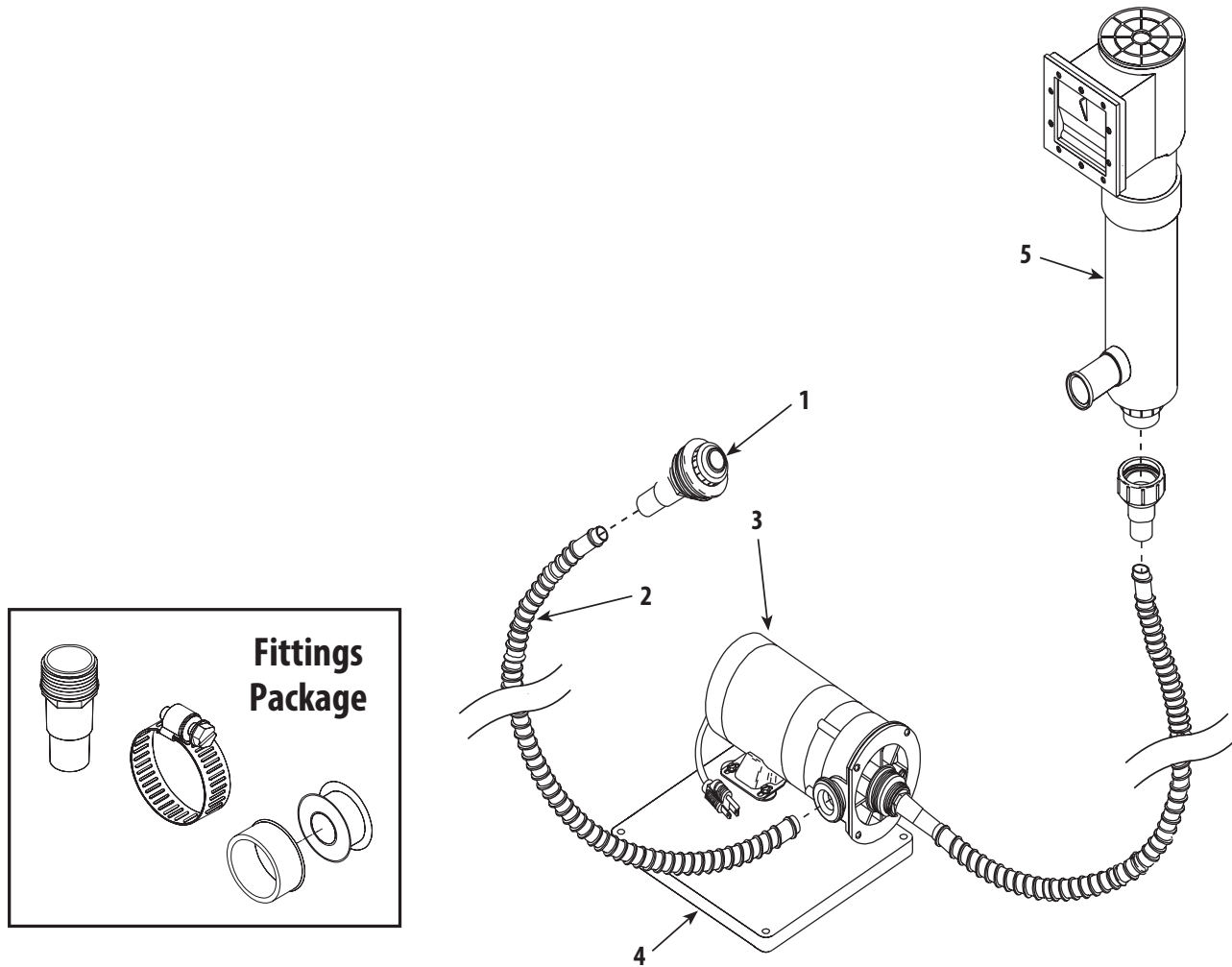
### Flo-Pro Skim Filter Replacement Parts

Item	Part No.	Description
1	<b>542-3060B</b>	Weir Door Assembly with Foam
2	<b>519-3090B</b>	Trim Plate - Front Access <i>(optional)</i>
3	<b>519-3080B</b>	Mounting Plate - Front Access - Short Throat Only
	<b>519-3180B</b>	Mounting Plate - Front Access - Long Throat Only
4	<b>819-0006B</b>	Screw - #12 x 1 1/4" PFH 18-8 Sms
6	<b>711-0060B</b>	Anti-Rust Wall Protection Gasket - Regular
7	<b>715-2030B</b>	2" Plug
8	<b>519-3190B</b>	Support Piece - Short Throat
	<b>519-3170B</b>	Extension - Support Piece - Wide Mouth
9	<b>805-0226B</b>	O-Ring - Union
10	<b>417-6020B</b>	1 1/2" Tailpiece x 1 1/2" Hose Adapter Fitting - with O-Ring Groove
11	<b>415-4000B</b>	1 1/2" Union Nut
12	<b>711-1010B</b>	Spacer Ring
13	<b>817-2500B</b>	Filter Cartridge - 25 sq. ft. - 4 1/8" OD x 13 3/8" L
	<b>817-5000B</b>	Filter Cartridge - 50 sq. ft. - 4 1/8" OD x 13 3/8" L
14	<b>519-3100B</b>	Collar Plate
15	<b>519-3010B</b>	Diverter Plate
16	<b>550-1030B</b>	Basket Assembly with Handle - 6.38" diameter x 4.10" H
17	<b>519-3150B</b>	Vacuum Plate with 90° Elbow
18	<b>519-3030B</b>	Lid
19	<b>417-6060B</b>	Hose Adapter Fitting - 1 1/2" MPT x 1 1/4" Hose Barb
21	<b>519-4110B</b>	Mounting Plate - Wide Mouth
22	--	Anti-Rust Wall Protection Gasket - Wide Mouth

\*\* Please request price quote.



## Replacement Parts / TWM Skim Filter



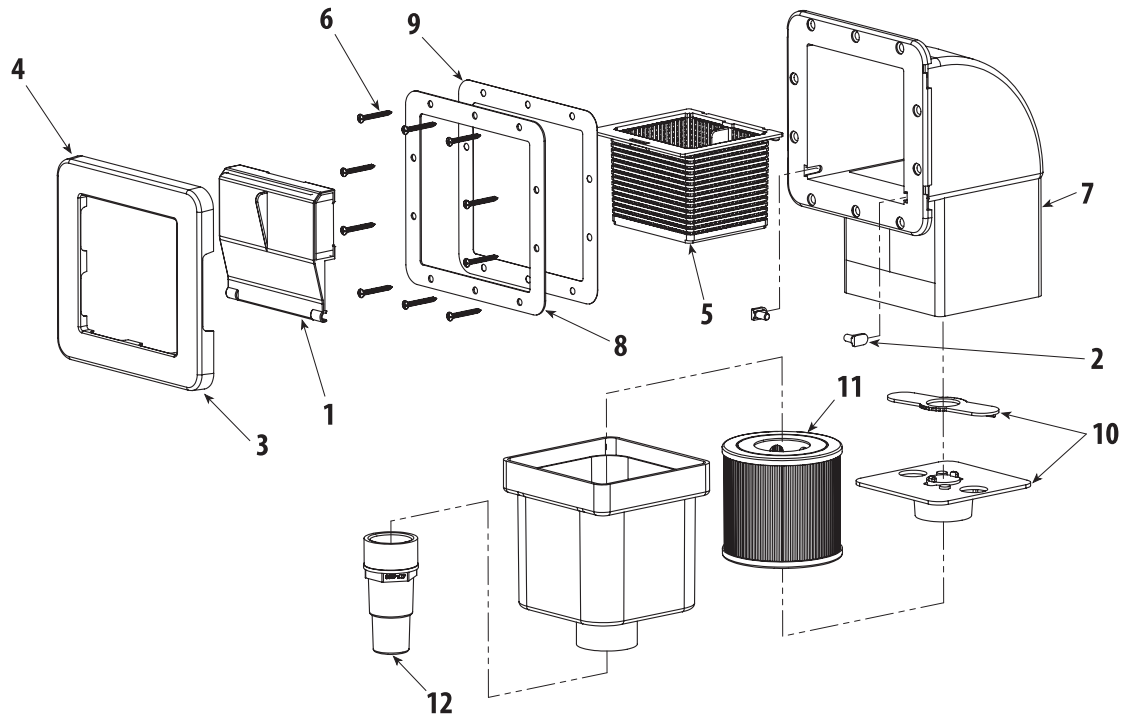
### TWM Skim Filter Replacement Parts

Item	Part No.	Description
1	<b>550-9340B</b>	Deluxe Return 1" Eyeball Fitting
2	<b>872-9000B</b>	Corrugated Hose - 1 1/2" x 6 ft.
3	--	Pump
4	<b>672-1010B</b>	Equipment Base - 1" x 14 1/2" x 15"
5	<b>560-J0A50TB</b>	Skim Filter Assembly - 50 sq. ft.

### Fittings Package Contents

Item	Part No.	Description
--	<b>417-6061B</b>	1 1/2" MPT x 1 1/4" Hose Adapter Fitting (2 required)
--	<b>872-0011B</b>	2 1/2" Hose Clamp - Stainless Steel (4 required)
--	<b>902-2000B</b>	Teflon Tape - 1/2" x 100" roll

\*\* Please request price quote.



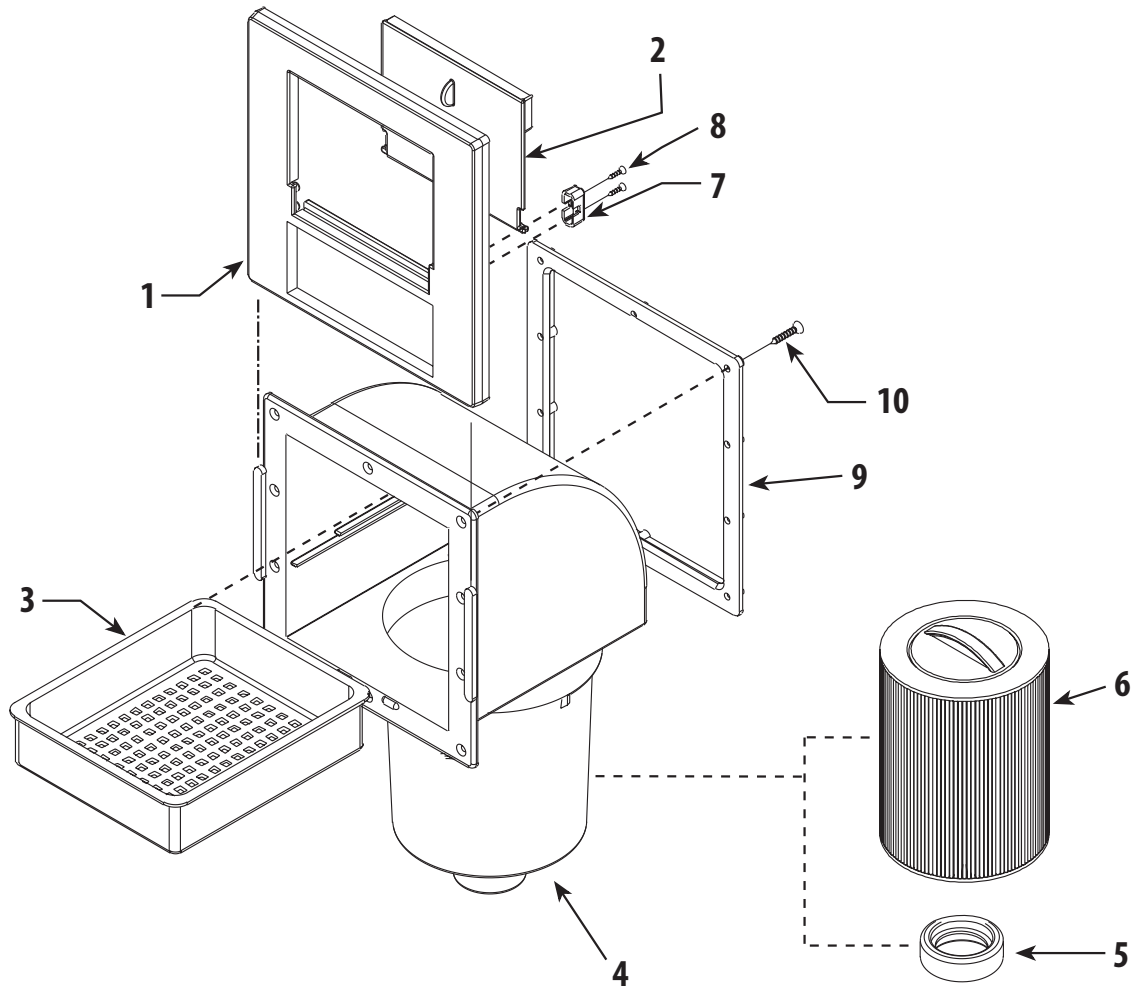
### Spa Skimmer and Skim Filter Replacement Parts

Item	Part No.	Description
1	<b>550-4050B</b>	Weir Door with Foam - Square Spa Skimmer
2	<b>519-4020B</b>	Hinge - Square Skim Filter - White
3	<b>916-1010B</b>	Stainless Steel Escutcheon <i>(optional)</i>
4	<b>519-4090B</b>	Square Trim Plate - Plastic - Old Style
5	<b>519-4030B</b>	Basket - 4.80" x 5.10" x 3.45" H
6	<b>819-6930B</b>	Screw - #8 x 1 1/2" Flathead Phillips
7	<b>550-4060B</b>	1 1/2" Square Body with Base
	<b>550-4080B</b>	1 1/2" Square Body - 10 sq. ft. Skim Filter
	<b>550-4090B</b>	1 1/2" Square Body - 20 sq. ft. Skim Filter
8	<b>806-1070B</b>	Gasket - Mounting Plate
9	<b>519-1600B</b>	Mounting Plate <i>(optional)</i>
10	<b>550-1500B</b>	Diverter Plate Assembly
11	<b>817-0010B</b>	Filter Cartridge - 10 sq. ft. - 4 1/4" OD x 4" L
12	<b>417-6080B</b>	Hose Adapter Fitting - 1 1/2" Spigot x 1 1/4" Hose <i>(optional)</i>

\*\* Please request price quote.



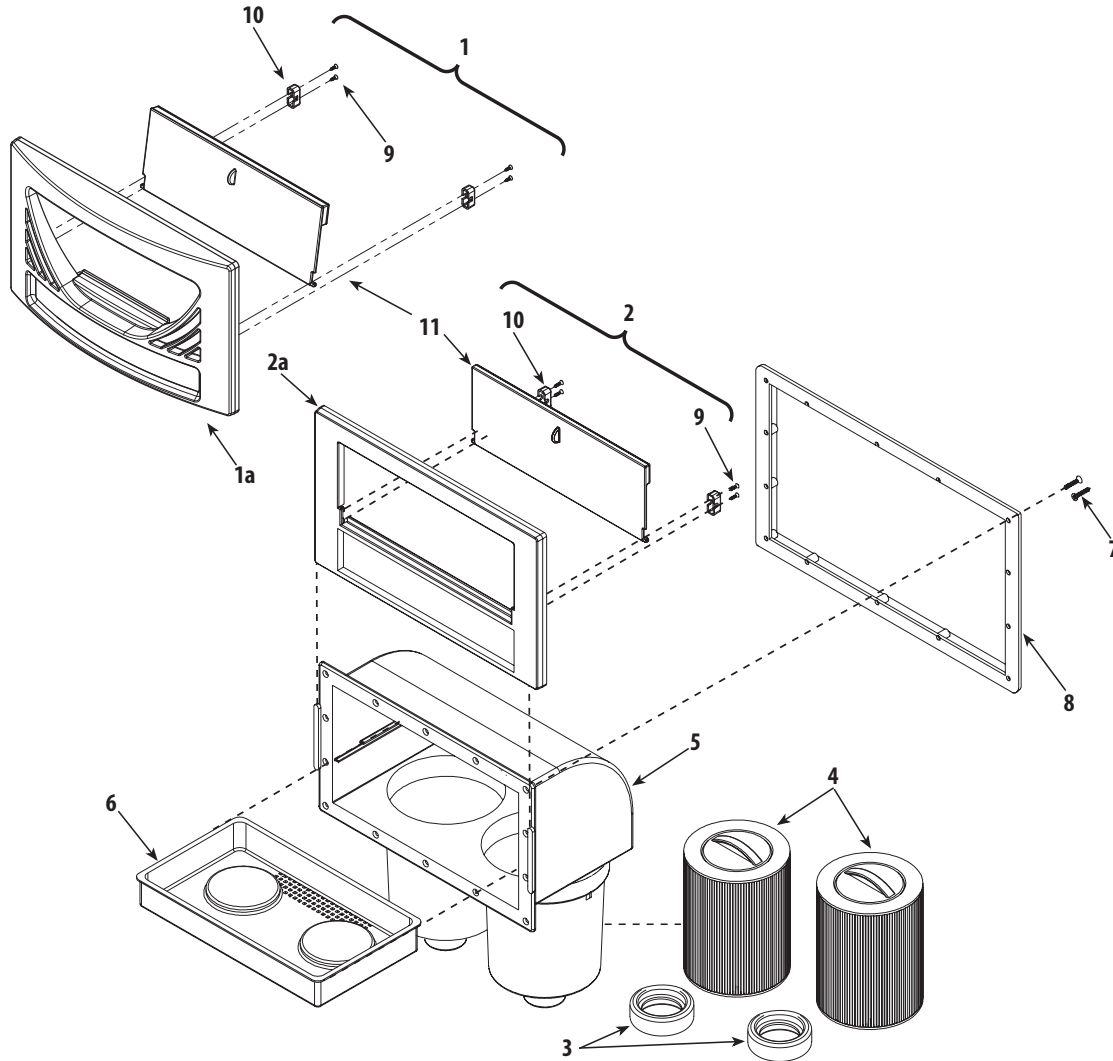
## Replacement Parts / 50 Sq Ft Skim Filter



### 50 sq. ft. Skim Filter Replacement Parts

Item	Part No.	Description
1	<b>519-9010B</b>	Front Plate
2	<b>550-9000B</b>	Weir Door Assembly
3	<b>519-9050B</b>	Basket
4	<b>550-9010B</b>	Filter Body Assembly - 50 sq. ft.
5	<b>519-6640B</b>	Retainer Ring
6	<b>817-0050B</b>	50 sq. ft. Filter Cartridge - 6" OD x 8 1/4" L
7	<b>519-6240B</b>	Hinge Mount
8	<b>819-3260B</b>	Screw - #6 - 20 x 5/8" POH
9	<b>519-9040B</b>	Mounting Plate
10	<b>819-0006B</b>	Screw - #12 x 1 1/4" PFH

\*\* Please request price quote.



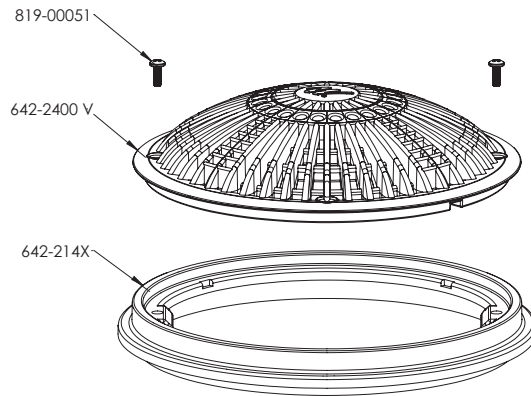
### 100 sq. ft. Skim Filter Replacement Parts

Item	Part No.	Description
1	<b>550-6630B</b>	Front Access Plate Assembly - Oval
1a	<b>519-6630B</b>	Blank Front Access Plate - Oval
2	<b>550-6610B</b>	Front Access Plate Assembly - Flat
2a	<b>519-6650B</b>	Blank Front Access Plate
3	<b>519-6640B</b>	Retainer Ring
4	<b>817-0050B</b>	50 sq. ft. Filter Cartridge - 6" OD x 8 1/4" L
5	<b>550-6620B</b>	Filter Body Assembly
6	<b>519-6610B</b>	Basket
7	<b>819-0030B</b>	Screw - #12 x 1 1/4" PFH
8	<b>519-6680B</b>	Mounting Plate
9	<b>819-3260B</b>	Screw - #6 -20 x 3/8" POH
10	<b>519-6240B</b>	Hinge Mount
11	<b>550-6600B</b>	Weir Door Assembly

\*\* Please request price quote.

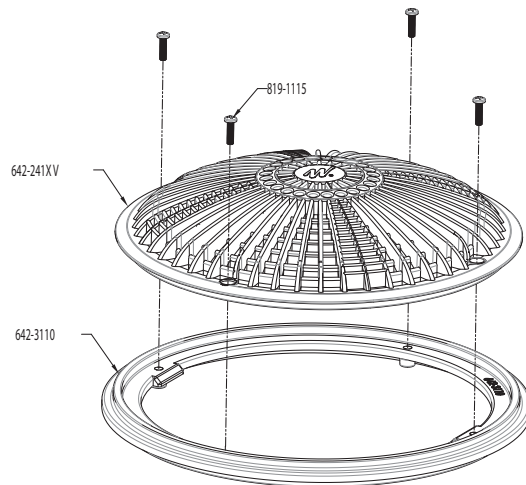


## Replacement Parts / VGB Drains



### Tru Flo 8" Drain Cover Replacement Parts

Item	Part No.	Description
1	<b>819-0051B</b>	#8 Stainless Steel Screw - 32 x 7/16
2	<b>642-2400 VB</b>	8" Tru Flo Drain Cover
3	<b>642-214XB</b>	8" Tru Flo Drain Frame
4	<b>640-234x VB</b>	8" Tru Flo Drain Cover and Ext. Collar Assy

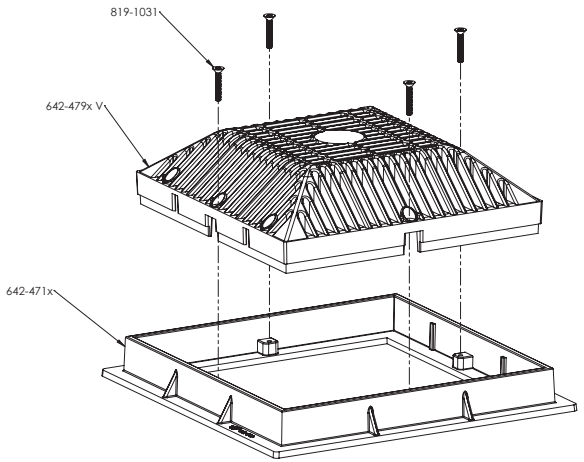


### Tru Flo 10" Drain Cover Replacement Parts

Item	Part No.	Description
1	<b>819-1115B</b>	#8 Stainless Steel Screw - 32 x 5/8
2	<b>642-241X VB</b>	10" Tru Flo Drain Cover
3	<b>642-311XB</b>	10" Tru Flo Drain Frame
4	<b>640-191x VB</b>	10" Tru Flo Drain Cover and Ext. Collar Assy

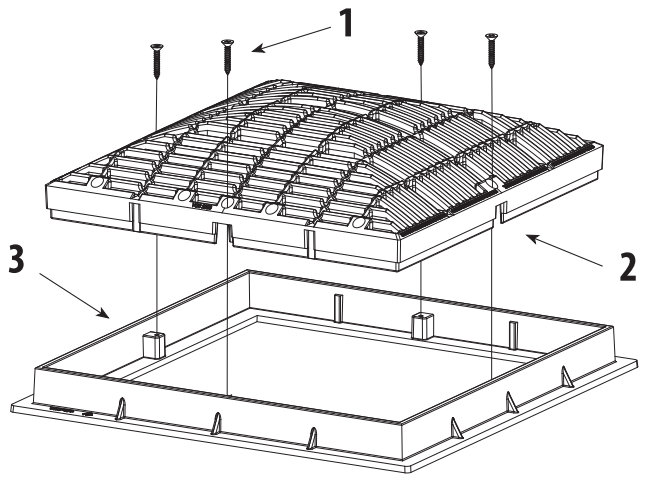
\*\* Please request price quote.





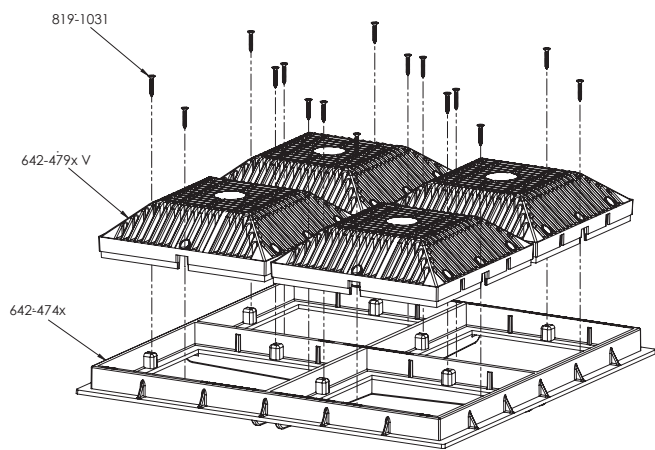
**9" x 9" Grate & Frame Replacement Parts**

Item	Part No.	Description
1	<b>819-1031B</b>	#8 x 1 Stainless Steel Screw
2	<b>642-479x VB</b>	9" x 9" Pool Grate
3	<b>642-471xB</b>	9" x 9" Grate Frame



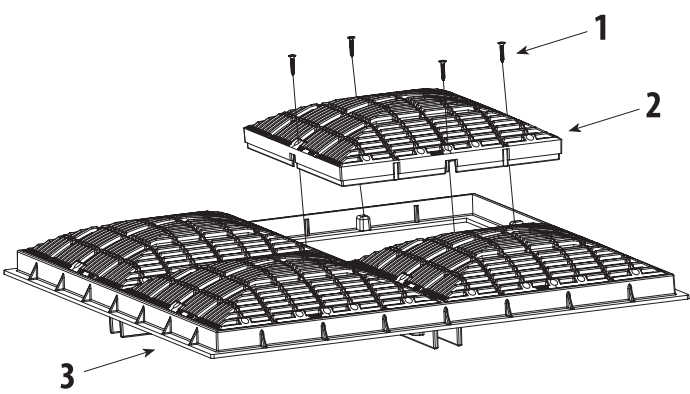
**12" x 12" Grate & Frame Replacement Parts**

Item	Part No.	Description
1	<b>819-1031B</b>	#8 x 1 Stainless Steel Screw
2	<b>642-4720 VB</b>	12" x 12" Pool Grate
3	<b>642-4730B</b>	12" x 12" Grate Frame



**18" x 18" Grate & Frame Replacement Parts**

Item	Part No.	Description
1	<b>819-1031B</b>	#8 x 1 Stainless Steel Screw
2	<b>642-479X VB</b>	9" x 9" Pool Grate
3	<b>642-474XB</b>	18" x 18" Grate Frame



**24" x 24" Grate & Frame Replacement Parts**

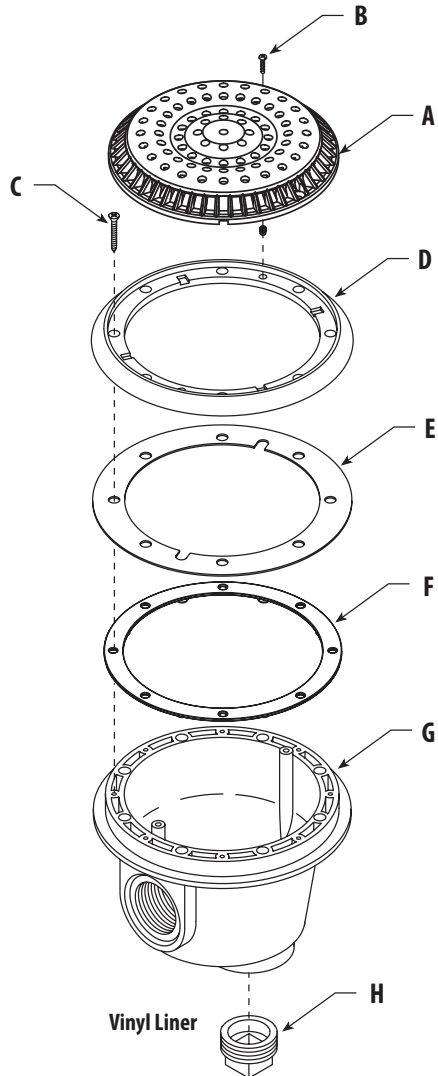
Item	Part No.	Description
1	<b>819-1031B</b>	#8 x 1 Stainless Steel Screw
2	<b>642-4720 VB</b>	12" x 12" Grate
3	<b>642-4760B</b>	24" x 24" Grate Frame

Replacement Parts

\*\* Please request price quote.



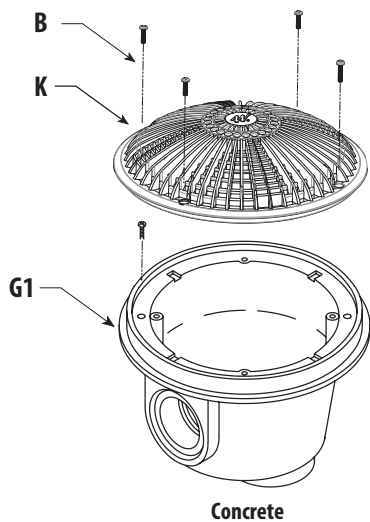
## Replacement Parts / Main Drains



### Main Drain Replacement Parts

Item	Part No.	Description
A	<b>645-2150 VB</b>	8" Anti-Vortex Cover - White (with screws)
	<b>645-2151 VB</b>	8" Anti-Vortex Cover - Black (with screws)
	<b>645-2157 VB</b>	8" Anti-Vortex Cover - Gray (with screws)
	<b>645-2159-DKG VB</b>	8" Anti-Vortex Cover - Dark Gray (with screws)
	<b>645-2159-BEI VB</b>	8" Anti-Vortex Cover - Beige (with screws)
	<b>645-2159-DKB VB</b>	8" Anti-Vortex Cover - Dark Blue (with screws)
B	<b>819-0005B</b>	Cover Screws (Anti-Vortex only) (2 required)
C	<b>819-6940B</b>	Mounting Screw (8 required)
D	<b>642-2090B</b>	Vinyl Liner Main Drain Mounting Plate - White
	<b>642-2091B</b>	Vinyl Liner Main Drain Mounting Plate - Black
	<b>642-2097B</b>	Vinyl Liner Main Drain Mounting Plate - Gray
E	<b>806-3000B</b>	Gasket - Vinyl Liner Main Drain Assembly(1 required)
F	<b>711-2600B</b>	Gasket - Vinyl Liner Main Drain Body (Stay-In-Place) (1 required)
G	<b>672-2520B</b>	Body - Main Drain Vinyl Liner - 2" S
	<b>672-2530B</b>	Body - Main Drain Vinyl Liner - 2" FPT
G1	<b>672-2500B</b>	Body - 8" Main Drain Concrete - 2" FPT (bulk packed)
	<b>672-2510B</b>	Body - 8" Main Drain Concrete - 2" S (bulk packed)
H	<b>715-9910B</b>	2" NPT Plug
K	<b>642-2400 VB</b>	8" Tru Flo Drain Cover - White
	<b>642-2401 VB</b>	8" Tru Flo Drain Cover - Black
	<b>642-2407 VB</b>	8" Tru Flo Drain Cover - Gray
	<b>642-2409-DKG VB</b>	8" Tru Flo Drain Cover - Dark Gray
	<b>642-2409-BEI VB</b>	8" Tru Flo Drain Cover - Beige
	<b>642-2410 VB</b>	10" Tru Flo Drain Cover - White
	<b>642-2411 VB</b>	10" Tru Flo Drain Cover - Black
	<b>642-2417 VB</b>	10" Tru Flo Drain Cover - Gray
	<b>642-2419-DKG VB</b>	10" Tru Flo Drain Cover - Dark Gray
	<b>642-2419-BEI VB</b>	10" Tru Flo Drain Cover - Beige

### Replacement Parts

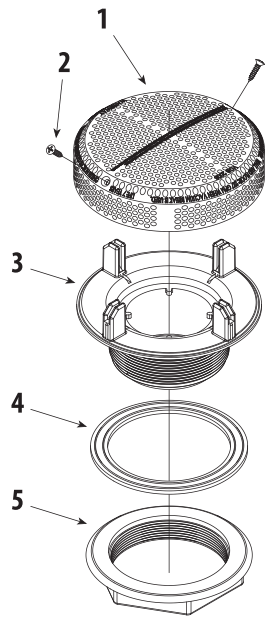


### Vinyl Liner Drain Cover Kit

Item	Part No.	Description	Qty
	<b>640-2260 VB</b>	Vinyl Liner Tru Flo Kit VGB2008 - White	25 (indiv.)
	<b>640-2261 VB</b>	Vinyl Liner Tru Flo Kit VGB2008 - Black	25 (indiv.)
	<b>640-2267 VB</b>	Vinyl Liner Tru Flo Kit VGB2008 - Gray	25 (indiv.)

\*\* Please request price quote.

## Replacement Parts / VGB Suctions / Strip Drains



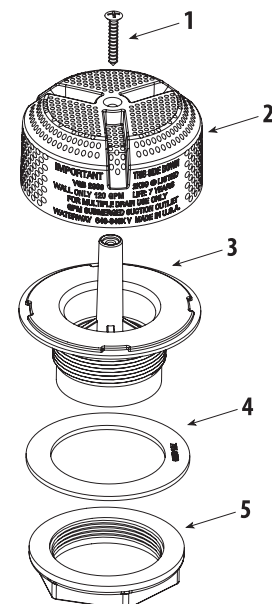
Super Hi-Flo Suction

### Super Hi-Flo Suction Replacement Parts

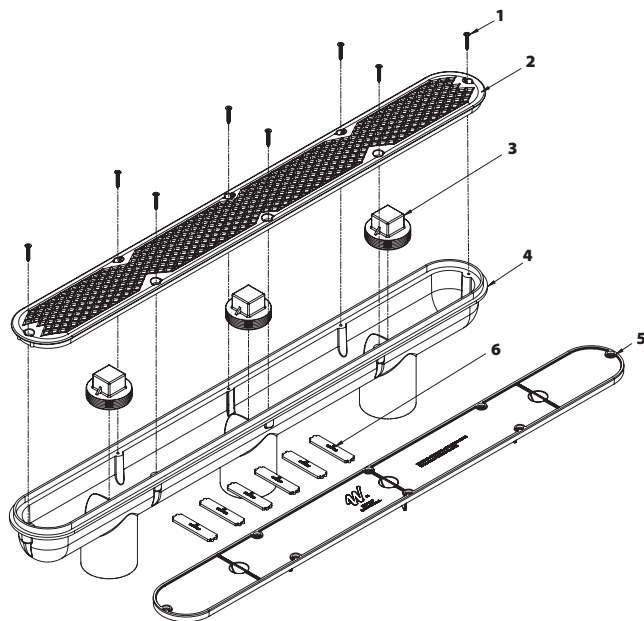
Item	Part No.	Description
1	<b>642-3630B V</b>	Suction Cover
	<b>819-1251</b>	Suction Cover (Stainless Steel)
2	<b>819-1250B</b>	#6 Stainless Steel Screw - 20 x 3/8"
3	<b>215-3620B</b>	2" Wall Fitting (for 640-357xV)
	<b>215-3610B</b>	2 1/2" Wall Fitting (for 640-358xV)
4	<b>711-3260B</b>	Gasket
5	<b>642-3620B</b>	Wall Fitting Nut

### Ultra Hi-Flo Suction Replacement Parts

Item	Part No.	Description
1	<b>642-3270B V</b>	Tall Suction Cover
2	<b>819-0024B</b>	Stainless Steel Screw - #10 x 1"
3	<b>215-3270B</b>	1 1/2" Wall Fitting for Tall Suction
4	<b>711-3250B</b>	Gasket
5	<b>718-3150B</b>	Wall Fitting Nut



Ultra Hi-Flo Suction



32" Diamond Strip Drain

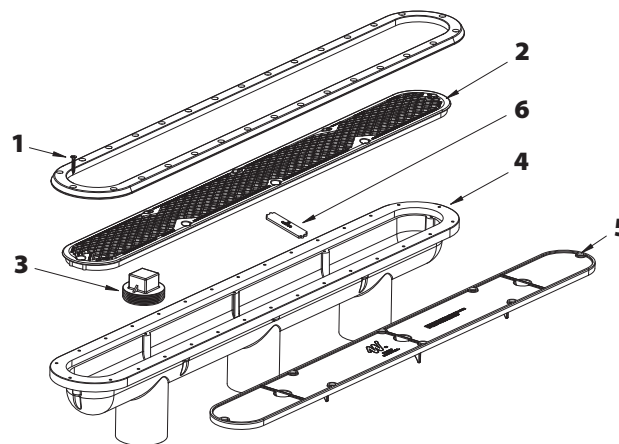
### 32" Diamond Strip Drain Replacement Parts

Item	Part No.	Description
1	<b>819-1031</b>	1" Phil Flat Head Type A 316 S/S Screw
2	<b>642-1340 V</b>	32" Blade Diamond Design VBG2008
3	<b>715-9910</b>	2" NPT Plug
4	<b>642-1320</b>	32" Plaster Body Drain
5	<b>715-1360</b>	32" Plaster Plug
6	<b>642-1390</b>	32" Drain Support Brace

\*\* Please request price quote.

### Vinyl Liner Strip Drain Replacement Parts

Item	Part No.	Description
1	<b>819-1031</b>	1" Phil Flat Head Type A 316 S/S Screw
2	<b>642-1340 V</b>	32" Blade Diamond Design VBG2008
3	<b>715-9910</b>	2" NPT Plug (3 required)
4	<b>642-1300</b>	32" Vinyl Liner Body Drain
5	<b>715-1360</b>	32" Plaster Plug
6	<b>642-1350</b>	32" Drain Support Brace (6 required)



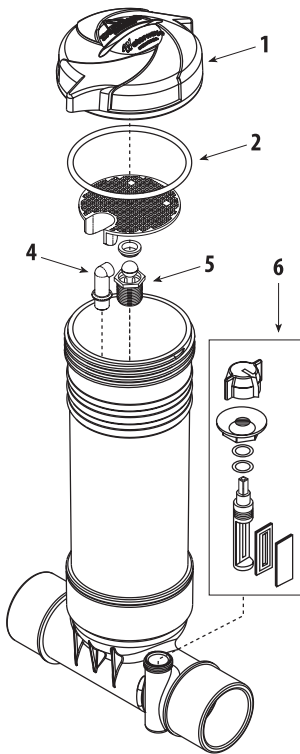
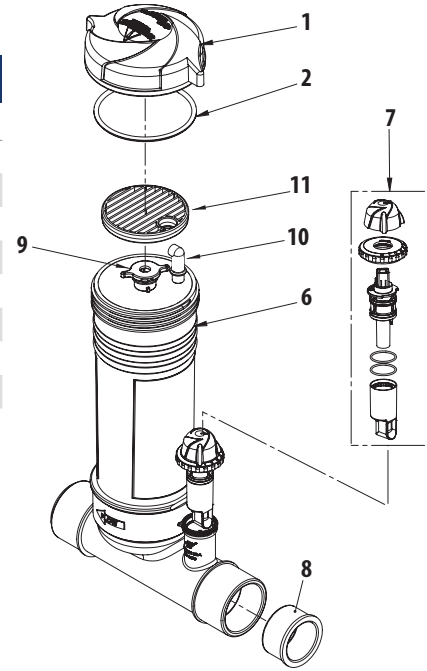
Vinyl Liner Strip Drain



## Replacement Parts / In-Line Chlorinators

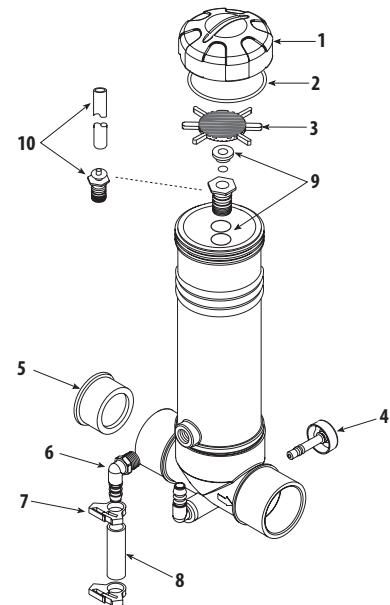
### New Style In-Line Chlorinator (2007 and Later) Replacement Parts

Item	Part No.	Description
1	<b>519-1160B</b>	Cap, Lid - In Line Chlorinator
2	<b>805-0348VB</b>	O-Ring
6	<b>515-1170B</b>	Upper Body, Chlorinator
7	<b>600-1287B</b>	Flow Valve Assembly
8	<b>421-4070B</b>	Reducer Bushing 2" SPG x 1 1/2" S
9	<b>600-1290</b>	Chlorinator II Check Valve
10	<b>411-1170B</b>	90° Elbow - 1/4" Pipe
11	<b>519-1400</b>	Chlorinator II Grill



### In-Line Chlorinator (2002 - 2007) Replacement Parts

Item	Part No.	Description
1	<b>519-1167B</b>	Lid
2	<b>805-0348VB</b>	Lid O-Ring
4	<b>411-1170B</b>	90° Elbow - 1/4" Pipe
5	<b>600-1180B</b>	Flow Valve Assembly
6	<b>600-1190B</b>	Stem Assembly with O-Ring

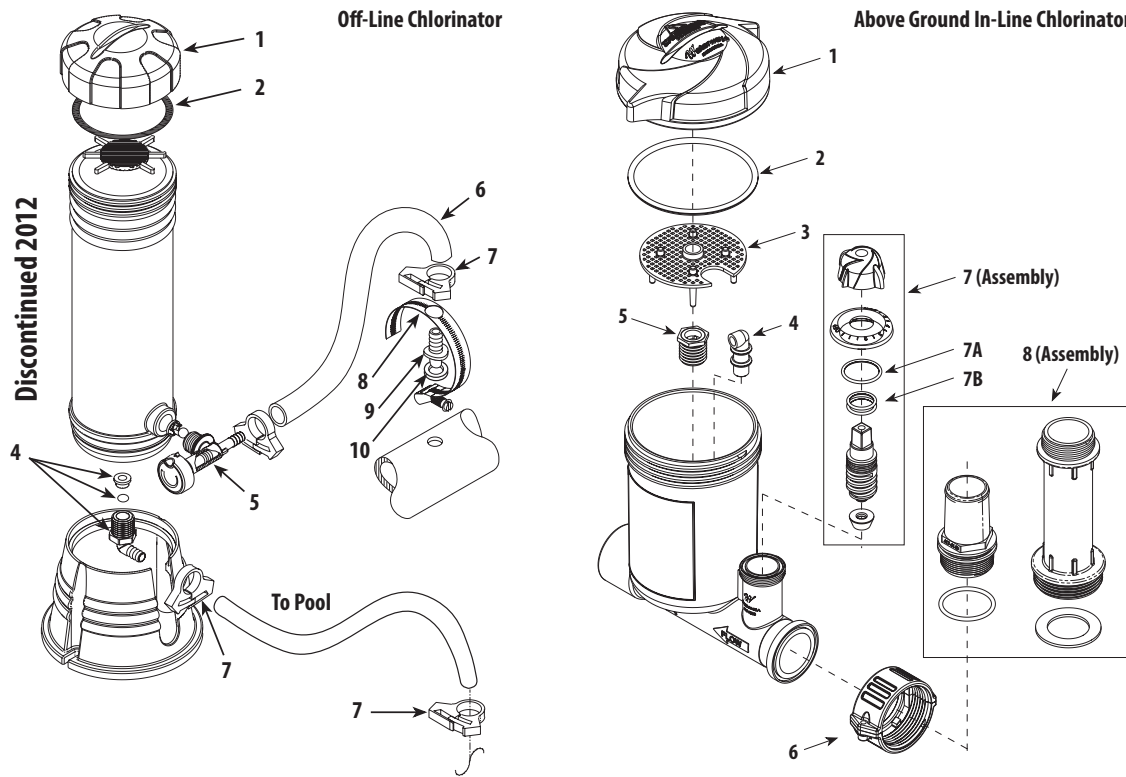


### In-Line Chlorinator (2002 and Previous) Replacement Parts

Item	Part No.	Description
1	<b>519-1181B</b>	Lid
2	<b>805-0340VB</b>	O-Ring - Lid
3	<b>319-0041B</b>	Filter Screen
4	<b>600-0051B</b>	Valve Stem Assembly
5	<b>421-4070B</b>	Reducer - 1 1/2" Socket x 2" Spigot
6	<b>400-0021B</b> <b>DISCONTINUED</b>	Elbow Assembly - 1/2" NPT x 1/2" Barb
7	<b>872-2290B</b>	1/2" Hose Clamp
8	<b>519-7361B</b>	3" Flex Hose
9	<b>550-2120B</b>	Coupler Assembly
10	<b>550-2130B</b>	Bromine Conversion Assembly for 1" Tablets

\*\* Please request price quote.

## Replacement Parts / Off-Line and Above Ground Chlorinators



### Off-Line Chlorinator Replacement Parts

Item	Part No.	Description
1	<b>519-1181B</b>	Lid
2	<b>805-0340VB</b>	O-Ring - Lid
4	<b>600-1151B</b>	Bottom Check Valve Assembly
5	<b>600-0101B</b>	Off-Line Valve Assembly
6	<b>872-2240B</b>	$\frac{3}{8}$ " inner diameter x $\frac{1}{2}$ " outer diameter Tubing (per ft.)
7	<b>872-2291B</b>	$\frac{3}{8}$ " Hose Clamp
8	<b>872-0011B</b>	2 $\frac{1}{2}$ " Hose Clamp - Stainless Steel
9	<b>425-1181B</b>	$\frac{3}{8}$ " Pipe Adapter
10	<b>806-0003B</b>	Gasket

### Above Ground In-Line Chlorinator Replacement Parts

Item	Part No.	Description
1	<b>519-1167B</b>	Lid
2	<b>805-0348VB</b>	O-Ring - Lid
3	<b>519-1250B</b>	Filter Screen - 1 $\frac{1}{2}$ "
4	<b>411-1170B</b>	90° Elbow - $\frac{1}{4}$ "
5	<b>600-1180B</b>	Check Valve Assembly
6	<b>400-5461B</b>	1 $\frac{1}{2}$ " Split-Nut Union Assembly (with Screws)
7	<b>600-1207B</b>	Dial Stem Assembly
7A	<b>805-0124VB</b>	O-Ring - Stem Assembly
7B	<b>805-0118VB</b>	O-Ring - Stem Assembly
8	<b>400-9820B</b>	Chlorinator Fitting - 1 $\frac{1}{2}$ " Sub Assembly

\*\* Please request price quote.







Index



# Pool & Spa Product Buyer's Guide / Index

Part No.	Page	Part No.	Page	Part No.	Page	Part No.	Page	Part No.	Page	Part No.	Page
3J10070-0E	156	201-4218	104	210-9209-DSGS	128	215-8240	80	228-0048G	101	239-4929S-DSG	106
3M21621-1W	152	201-5208	104	210-9258S	128	215-8250	80	228-0308G	101	239-4969S-DSG	106
3POVS14	203	201-5218	104	210-9268S	128	215-8270	80	228-0338G	101	239-4979S-DSG	106
3R11250-0D	149	201-5220	104	210-9278S	128	215-8280	80	228-0340GA	101	239-5709S-DSG	105
3R11250-0V	149	201-5230	104	210-9288S	128	215-9150	49	228-0408G	101	239-8809S-DSG	105
3R20850-0D	149	201-6738	104	210-9308S	128	215-9150B	49	228-0410G	101	239-8908-MTB	109
3R21050-0D	149	201-6758	104	210-9318S	128	215-9151	49	228-0438G	101	239-8908S-MTB	109
3R21050-0V	149	201-6878	104	210-9500	100	215-9157	49	228-1108	109	239-8918-MTB	109
110-016WB	96	201-6888	104	210-9790	100	215-9159-BEI	49	228-1108EP	109	239-8918S-MTB	109
110-016WPB	96	201-6890	104	210-9840	110	215-9159-DKB	49	228-1118	109	239-8928-MTB	109
110-0100B	96	210-0828S	111	210-9859-DSG	110	215-9159-DKG	49	228-1118EP	109	239-8928S-MTB	109
110-0110B	96	210-0838S	111	210-9869-DSG	110	215-9170	49	228-1148EP	109	240-1118S	109
110-0110PB	96	210-0848S	111	211-0380	99	215-9170B	49	228-1558G	101	240-1128S	109
110-0120	8	210-3330	64	211-3040	56, 57, 58	215-9171	49	228-1568G	101	243-1609S-DSG	108
110-0120B	96	210-3400	63	211-3050	63	215-9177	49	228-1570G	101	243-1639S-DSG	108
110-0120P	8	210-3410G	60	211-3060	56, 57, 58	215-9179-BEI	49	228-1720G	101	243-2609S-DSG	108
110-0120PB	96	210-3420G	60	212-0090	99	215-9179-DKG	49	228-2008	105	243-2639S-DSG	108
110-0140	8	210-3430G	60	212-0500	99	215-9829-DSG	98	228-2008GA	105	243-3109S-DSG	108
110-0140B	96	210-3440G	60	212-0540	99	215-9839-DSG	98	228-2408	104	243-3139S-DSG	108
110-0140P	8	210-3450G	60	212-0550	99	215-9840	98	228-2418	104	243-3209S-DSG	108
110-0140PB	96	210-3910	112	212-0590	99	215-9869-DSG	98	228-2448	104	243-3239S-DSG	108
110-0150B	96	210-3910S	112	212-0690	99	215-9880	49	228-3408	104	243-3309S-DSG	108
110-0150PB	96	210-3920	112	212-1801	125	215-9881	49	228-3418	104	243-3339S-DSG	108
120-0110	8	210-3920G	62	212-1810	146	215-9887	49	228-4408	104	243-3409S-DSG	108
120-0110B	96	210-3920S	112	212-1829-DSG	146	215-9889-DKG	49	228-4418	104	243-3439S-DSG	108
120-0110P	8	210-3950	62	212-1839-DSG	146	215-9890	49	228-5408	104	243-3609S-DSG	108
120-0110PB	96	210-3970	62	212-3300	64	215-9891	49	228-5418	104	243-3639S-DSG	108
120-0120	8	210-4100	63	212-3310	64	215-9897	49	228-6308	105	243-5609S-DSG	108
120-0120B	96	210-4110	63	212-3330*	64	215-9899-DKG 4	9	228-6710	58	243-5639S-DSG	108
120-0120P	8	210-4120	63	212-3340*	64	215-9909-DSG	98	229-1000	56	243-7009S-DSG	107
120-0120PB	96	210-4130	63	212-3350*	64	215-9921S	98	229-1010	56	243-7039S-DSG	107
120-0130	8	210-4391	110	212-3360	64	215-9959-DSG	98	229-1100	57	243-7109S-DSG	107
120-0130B	96	210-4399S-DSG	110	212-3370	64	217-0060	52, 91	229-1110	57	243-7139S-DSG	107
120-0130P	8	210-5107	113	212-3440	64	217-1060	63	229-1200	58	243-7209S-DSG	107
120-0130PB	96	210-5108S	113	212-3450	64	217-3320	64	229-1210	58	243-7239S-DSG	107
120-0140	8	210-5158	113	212-3470	64	217-3330	64	229-1320	62	243-7309S-DSG	107
120-0140B	96	210-5168S-DSG	113	212-3510	64	217-3340	64	229-1800	61	243-7339D-DSG	107
120-0140P	8	210-5830	100	212-4159-DSG	99	217-3350	64	229-1810	61	243-8409S-DSG	106
120-0140PB	96	210-5860	100	212-4700	56, 57, 58, 63	217-7300	112	229-1820	61	243-8439S-DSG	106
120-0150	8	210-5870	100	212-8817	98	217-7320	112	229-3350	57	243-8509S-DSG	106
120-0150B	96	210-5910	100	212-8837	98	218-1430	53	229-7550SG	58	243-8539S-DSG	106
120-0150P	8	210-5937	100	212-9170	54	218-1437	53	229-7560SG	58	243-8609S-DSG	106
120-0150PB	96	210-5950	100	212-9171	54	218-1440	53	229-7570SG	58	243-8659S-DSG	106
120-0160	8	210-6040	100	212-9177	54	218-1441	53	229-7600G	58	243-8709S-DSG	106
120-0160B	96	210-6080	61	212-9179-DKG	54	218-1447	53	229-7610G	58	243-8739S-DSG	106
120-0160PB	96	210-6170	61	212-9870	98	218-1500	63	229-7630G	58	243-9409S-DSG	107
120-0170	8	210-6180*	61	212-9899-DSGS	98	218-1570A	112	229-7920	56	243-9439S-DSG	107
120-0170P	8	210-6190	61	215-1050	63	218-1770A	100	229-7930	56	243-9509S-DSG	107
120-0180	8	210-6540	61	215-1060	63	218-1960A	56, 57, 58	229-7950	56	243-9539S-DSG	107
120-0180B	96	210-6550	61	215-1170	56	218-4010	103	229-8010	57	243-9609S-DSG	107
120-0180P	8	210-7260S	112	215-1190	57	218-4360	110	229-8050	57	243-9639S-DSG	107
120-0180PB	96	210-7270S	112	215-1197	57	218-5150	103	229-8120	57	243-9809S-DSG	107
120-0250B	96	210-7300	112	215-2241S	97	218-6680	103	229-8570S	57	243-9839S-DSG	107
120-0250P	8	210-7310	112	215-2249-DSG	97	218-6680B	233	229-8580S	57	310-0140	158
120-0250PB	96	210-7350	62	215-2251S	97	218-6680T	103	229-8590S	57	310-0700	158
125-0110	8	210-7430	112	215-2259-DSG	97	218-7650	58	229-8630S	56	310-0800	158
125-0110B	96	210-7440	112	215-3270B	257	218-7657	58	229-8640S	56	310-0810	158
125-0110P	8	210-8508S	128	215-3610B	257	218-9230	125	229-8650S	56	310-0900B	217
125-0110PB	96	210-8518S	128	215-3620B	257	218-9460	103	239-1119S-DSG	109	310-1130SD	158
125-0120	8	210-8528S	128	215-4829-DSG	146	223-0010	105	239-4009S-DSG	106	310-1140SD	158
125-0120B	96	210-8608S	128	215-4839-DSG	146	224-1000G	63	239-4019S-DSG	106	310-1141SD	158
125-0120P	8	210-8618S	128	215-4848	146	224-1001G	63	239-4209S-DSG	106	310-1150SD	158
125-0120PB	96	210-8628S	128	215-8200	80	224-1007G	63	239-4229S-DSG	106	310-1160SD	158
130-0210B	96	210-8750	100	215-8210	80	224-1040G	63	239-4409S-DSG	106	310-1440	158
130-0210PB	96	210-9109-DSGS	128	215-8220	80	228-0010G	101	239-4429S-DSG	106	310-1460	158
201-4208	104	210-9209-DSG	128	215-8230	80	228-0020	101	239-4909S-DSG	106	310-1480	158

Part No.	Page	Part No.	Page	Part No.	Page	Part No.	Page	Part No.	Page	Part No.	Page
310-1500	158	310-7440B	202	319-0041B	258	400-1417E	50	400-5461	166	400-9197	55
310-1510	158	310-7450B	202	319-1270B	215	400-1417EB	50	400-5461B	259	400-9197P	55
310-1710	158	310-7470B	199, 202, 209	319-1310B	201, 213	400-1419A-DK	50	400-5491	166	400-9199-BEI	55
310-1720	158	310-7500B	209	319-1370B	214	400-1419B-DK	50	400-5530	41, 163	400-9199-DKG	55
310-1730	158	310-7510B	209	319-1380B	214	400-1419C-DK	50	400-5540	182	400-9199P-DK	55
310-1740	158	310-7520B	209	319-1390B	210, 219	400-1419D-BEI	50	400-5570	40, 162	400-9230	40, 162
310-1750	158	310-7530B	209	319-1420B	199, 202, 209	400-1419D-DK	50	400-5580	182	400-9240	40, 162
310-1870	158	310-7700SD	34, 159	319-1430B	199, 202, 209	400-1419E-BEI	50	400-5640	39, 161	400-9280	39, 161
310-1880	158	310-7710SD	34, 159	319-1500B	199, 202, 209	400-1419E-DK	50	400-5660	40, 162	400-9290	91
310-1890	158	310-7720SD	34, 159	319-1510B	205, 211	400-1419E-DKB	50	400-5670	40, 162	400-9291	91
310-1900	158	310-7730SD	34, 159	319-1511	203	400-1420A	51	400-5680	40, 162	400-9292	91
310-1910	158	310-7740SD	34, 159	319-1530	203	400-1420D	51	400-5800	40, 162	400-9297	91
310-1920	158	310-7800	34, 159	319-1530B	205, 211	400-1420DB	51	400-5961-2B	228	400-9299-BEI	91
310-1930	158	310-7810	34, 159	319-1540	203	400-1420E	51	400-5971B	40, 162	400-9299-DKG	91
310-2200B	216	310-7820	34, 158, 159	319-1540B	205, 211	400-1420EB	51	400-5990	40, 162	400-9390	55
310-2260B	216	310-7830	34, 159	319-1550B	205	400-1421D	51	400-6000	41, 163	400-9390P	55
310-2270B	216	310-7840	34, 159	319-1560B	211	400-1421E	51	400-6010	40, 162	400-9397	55
310-2300B	215	310-8000B	204, 206, 218,	319-1630B	199	400-1427A	51	400-6021B	40, 162	400-9397P	55
310-2330B	215	220		319-1700B	199, 202, 209	400-1427D	51	400-6040	182	400-9470	52
310-2340B	215	310-8010B	204, 206, 218,	319-2160B	207	400-1427E	51	400-6437	24	400-9550	52
310-2350B	215	220		319-2170B	204, 210	400-1429A-DK	51	400-6600	65	400-9820	44
310-2360	158	310-8020B	204, 206, 218,	319-3010B	211	400-1429D-DK	51	400-6600-100	65	400-9820B	259
310-2370	158	220		319-3090B	203, 204, 205,	400-1429E-DK	51	400-6601	65	400-9900B	229
310-2380	158	310-8030B	204, 206, 218,	206, 215, 216, 217, 218, 220		400-1431	41	400-6601-100	65	400-9974B	226
310-2390	158	220		319-3100B	199, 201, 202,	400-1431-2B	38, 199, 209	400-6601B	224, 226	411-0350	180
310-2450	158	310-8040B	204, 206, 218,	204, 207, 209, 210, 213, 214,		400-1940	39, 161	400-6610B	226	411-0360	180
310-2460	158	220		219, 221		400-1990	39, 161	400-6621B	224, 226	411-1170B	258, 259
310-2480	158	310-8200	34, 158	319-3230B	204, 207, 210	400-2000	41, 163	400-6650	65	411-2000	47, 169
310-2620B	216	310-8210	34, 158	319-3290B	198	400-2010	161	400-6651	65	411-2010	47, 169
310-3300B	201, 213	310-8220	34, 158	319-3500B	210, 211	400-2017	39	400-6710	59	411-2020	47, 169
310-3650B	201, 213	310-8230	34, 158	319-3510B	210, 211	400-2020	39, 161	400-7380	53	411-2100	47, 169
310-3660B	201, 213	310-8240	34, 158	319-3520B	210	400-2060	185	400-7387	53	411-2200	47, 169
310-3670B	201, 213	310-8400B	198	319-3530B	210	400-2070	185	400-7390	53	411-3090	169
310-3680B	201, 213	311-1060B	217	319-4100	204, 210	400-2100	185	400-7397	53	411-3480	180
310-3990B	204, 210	311-1070B	206	319-4100B	199, 202, 207,	400-3021	185	400-8300	52	411-3490	180
310-4000B	204, 210, 219	311-1110B	207, 221	209		400-3031	185	400-8310	52	411-3500	180
310-4010B	204, 210, 219	311-1210B	214	400-0021B	258	400-3070	38	400-8320	52	411-3700	180
310-4020B	219	311-1220B	214	400-119x	59	400-3090	38, 44	400-8970	145	411-4000	47, 169
310-4030B	204, 210, 219	311-1400B	201, 213	400-662xB	65	400-4000	41, 163	400-9010B	53	411-4010	47, 169
310-4050B	219	311-1450B	199, 202, 209	400-1300	54	400-4020	41, 163	400-9030	145	411-4040	47, 169
310-4060B	217	311-1510B	216	400-1360	54	400-4030	41, 163	400-9060B	53	411-4050	47, 169
310-4070B	217	311-1520B	203, 205, 211	400-1410A	50	400-4060	39, 161	400-9067B	53	411-4060	180
310-4090B	217	311-2140B	204, 210, 219	400-1410AB	50	400-4060-2B	203	400-9090	62	411-4080	47, 169
310-4180B	214	311-2160B	218	400-1410B	50	400-4061B	235, 237	400-9120	145	411-4160	180
310-4190B	214	311-2170B	204, 220	400-1410BB	50	400-4100	170	400-9130	145	411-5030	47, 169
310-4200B	214	311-2311B	215	400-1410C	50	400-4130	168	400-9140	145	411-5040	47, 169
310-4210B	214	311-8300B	198	400-1410CB	50	400-4140	65, 93	400-9150	49, 145	411-5050	47, 169
310-4220B	214	313-1400B	207, 219, 221	400-1410D	50	400-4141	65, 93	400-9150B	49	411-5060	47, 169
310-4230B	214	313-3210B	216	400-1410DB	50, 248	400-4147	65, 93	400-9151	49	411-5080	47, 169
310-5080B	205, 211	314-1510	203	400-1410E	50	400-4149-BEI	65, 93	400-9157	49	411-5520	182
310-5090	203	315-1050B	207	400-1410EB	50, 248	400-4160	38	400-9160B	53	411-5540	182
310-5090B	205, 211	315-1060B	217	400-1410F	50	400-4230	39, 161	400-9167B	53	411-5550	47, 169
310-5100B	205, 211	315-1070B	206	400-1410FB	50	400-4240	39, 161	400-9170	49	411-6040	182
310-5110B	207	315-1120B	207, 221	400-1411A	50	400-4260	170	400-9170B	49, 248	411-6520	48
310-5120B	207, 221	315-1220B	214	400-1411B	50	400-4300	40, 162	400-9171	49	411-6540	48
310-5130B	207, 221	315-1240B	214	400-1411C	50	400-4360	182	400-9171B	49	411-6910B	239
310-5140B	207, 221	315-1300B	201, 213	400-1411D	50	400-4420	182	400-9177	49	411-9100	46, 168
310-5200B	207, 221	315-1400B	202, 209	400-1411DB	50	400-4510	39, 161	400-9177B	49	411-9110	46, 168
310-5400	34, 156	315-1500B	216	400-1411E	50	400-5050	41, 163	400-9180	55	411-9120	46, 168
310-5400B	229	315-1510B	205, 211	400-1411EB	50	400-5080	38	400-9181	55	411-9130	46, 168
310-6500	34	315-2301B	215	400-1417A	50	400-5090	38	400-9187	55	411-9140	46, 168
310-6600	34	315-2500B	204, 210, 219	400-1417AB	50	400-5111	201	400-9189-DKG	55	411-9150	46, 168
310-7400B	202	315-2510B	218	400-1417B	50	400-5161	167	400-9190	55	411-9160	46, 168
310-7410B	202	315-2520B	204, 220	400-1417C	50	400-5161B	204	400-9190P	55	411-9170	47, 169
310-7420B	202	315-8300B	198	400-1417D	50	400-5200	38, 44	400-9191	55	411-9180	47, 169
310-7430B	202	319-0019	159	400-1417DB	50	400-5270	19	400-9191P	55	411-9200	46, 168

# Pool & Spa Product Buyer's Guide / Index

Part No.	Page	Part No.	Page	Part No.	Page	Part No.	Page	Part No.	Page	Part No.	Page
411-9210	46, 168	417-4020	42	419-1920	181	500-5300B	227	511-1310	203	519-6610B	253
413-1201	177	417-4030	42, 164	419-4100	45	500-5310B	224, 226	511-1310B	201, 205, 211,	519-6630B	253
413-1770	170	417-4050	166	419-4110	45	500-7310B	228	213		519-6640B	252, 253
413-1800	180	417-4060	42, 164	419-4120	45	502-2011B	233, 235, 237	512-021X	142	519-6650B	253
413-1810	171	417-4070	42, 164	419-4201B	224, 226, 231	502-2510	143	512-027X	142	519-6680B	253
413-1820	171	417-4080	42, 164	419-7241	227	502-2550	143	512-251X	142	519-6700	93
413-1850	180	417-4090	166	419-7251	227	502-5010	143	512-255X	142	519-6710	93
413-1860	180	417-4100	42, 164	421-0010	183	502-5050	143	512-257X	142	519-6711	93
413-1900	177	417-4110	42, 164	421-0030	183	502-7510	143	514-6559-DSG	142	519-6717	93
413-1920	180	417-4161B	235, 237	421-1000	183	502-9910	143	514-6589-DSG	142	519-6719-BEI	93
413-1940	177	417-4220	43, 165	421-1030	177	505-0161B	233, 237	515-1010B	241	519-6900B	239
413-1960	180	417-5020	43, 165	421-1050	183	505-0191B	233, 237	515-1170B	258	519-6940.LB	239
413-1980	170	417-5040	43, 165	421-3350	64	505-0221B	233, 237	515-2041TB	231, 232	519-6940.RB	239
413-2000	170	417-5050	167	421-4010	183	505-0261B	233, 237	515-4207B	224	519-6951B	239
413-2020	171	417-5060	167	421-4020	183	505-0271B	235	515-7250B	227	519-6961B	239
413-2030	170	417-5080	42, 164	421-4030	183	505-0281B	235	519-0231	185	519-6970B	239
413-2060	170	417-5090	43, 165	421-4070	183	505-0291B	235	519-0300B	238	519-6981B	239
413-2080	170	417-5120	43, 165	421-4070B	258	505-0301B	235	519-949xB	247	519-7361B	258
413-2090	170	417-5130	165	421-4071B	20, 226	505-1010B	225	519-1051B	240	519-7400B	227
413-2120	170	417-5140	167	421-4201B	20, 226	505-1020B	225	519-1160B	258	519-7410B	227
413-2130	170	417-5160	167	421-5000	183	505-1030B	225	519-1167B	258, 259	519-7420B	227
413-2140	170	417-5180	167	423-4000	183	505-1040B	225	519-1181B	258, 259	519-7431B	227
413-2150	170	417-5260	43, 165	425-0210	177	505-1060B	225	519-1250B	259	519-7441B	227
413-2160	167	417-5500	42, 164	425-1000	180	505-1930B	233, 235, 237	519-1400	258	519-7470B	227
413-2180	170	417-5970	43, 165	425-1010	181	505-1950B	233, 237	519-1600B	251	519-7601B	227
413-2210	170	417-5971B	201, 213	425-1030	180, 181	505-1970B	233, 235, 237	519-2010B	244	519-7800	245, 246, 247
413-2320	47, 72, 170	417-5980	167	425-1080	177	505-2020B	233, 235, 237	519-3010B	242, 249	519-7860WW	245
413-3010	170	417-6000	43, 165	425-1090	178	505-2030B	233, 235, 237	519-3030B	248, 249	519-7860WWB	246, 247
413-4000	170	417-6001B	201, 213	425-1181B	259	505-2040B	233, 237	519-3080B	249	519-7900	245
413-4100	171	417-6010	43, 165	425-1928B	233, 235, 237	505-2050B	233, 237	519-3090B	248, 249	519-7900B	246
413-4130	171	417-6020	164	425-4000	176	505-2060B	233, 237	519-3100B	249	519-8000B	242
413-4140	171	417-6020B	249	425-4020	177	505-2070B	233, 237	519-3150B	248, 249	519-8050B	242
413-4160	171	417-6030	43, 165	425-4030	97, 114, 116	505-2080B	233, 237	519-3170B	249	519-8070B	242
413-4180	120	417-6040	164	425-4040	177	505-2140B	235	519-3180B	248, 249	519-8150B	244
413-4200	120	417-6041	42	425-5010	177	505-2150B	235	519-3190B	249	519-8160B	244
413-4292	120	417-6041B	229	425-5030	57	505-2160B	235	519-3240B	245, 246, 247	519-8260B	243
413-4350	177	417-6050	43, 165	425-5070	56	505-2180B	235	519-3250B	245, 246, 247	519-8310B	238
413-4360	180	417-6060	48	425-5077	56	505-2240-RB	237	519-4020B	251	519-9010B	252
413-4370	180	417-6060B	248, 249	425-6000	97, 114, 116	505-2250-RB	237	519-4030	138	519-9040B	252
413-4400	185	417-6061	48	425-6038	97	505-2260-RB	237	519-4030B	251	519-9050B	252
413-4410	185	417-6061B	229, 250	425-6048	97, 114, 116	505-3000B	233, 235, 237	519-4090B	251	519-9490	85
413-4510	180	417-6080	48	425-6400	177	505-3010B	233, 235, 237	519-4110B	248, 249	519-9510	85
413-4800	120	417-6080B	251	429-2000	45	505-3020B	235	519-4320B	226	519-9510B	246, 247
413-5030	170	417-6081	48	429-2010	45	510-160	138	519-4370B	224, 226	519-9520	85
413-5040	171	417-6127	183	429-3000	45	510-352X	141	519-5301B	231	519-9521	85
413-5080	171	417-6137	183	429-3010	45	510-354X	141	519-5310B	231	519-9527	85
415-4000	42, 164	417-6140	48, 181	429-3020	45	510-355X	141	519-5320B	231	519-9530B	246, 247
415-4000B	249	417-6140B	248	429-3030	45	510-460X	140	519-5330SCB	231	519-9540	85
415-4001B	229, 235, 237	417-6141	48	429-4000	168	510-462X	140	519-5370B	231, 232, 235	519-9547	85
415-4021	166	417-6147	48	429-4010	92	510-463X	140	519-5421B	231	519-9550B	246
415-4051B	207	417-6150	48	429-4017	92	510-468X	140	519-6240B	252, 253	519-9600	245
415-4211B	20	417-6150B	248	429-4019-BEI	92	510-567X	140	519-6470	245	519-9640	245
415-5000	43, 165	417-6151	48	429-4030	168	510-652X	141	519-6470B	246, 247	519-9650	245
415-5001	227	417-6157	48	429-7100	91	510-654X	141	519-6480	82, 85	519-9660	245
415-5091-CPVCB	225	417-6161	48	429-7221B	227	510-655X	141	519-6480B	246, 247	520-1601	25
415-5161	167	417-6197	183	429-7300	235, 237	510-1500	138	519-6480-R1	82	520-4010	24
415-5201B	210	417-6241B	227	500-1000B	229, 240, 241	510-1650T	138	519-6480-R1B	246, 247	520-4070	24
415-6000	43, 165	418-1000	45	500-1021	143	510-3601	143	519-6545B	246	520-5127-C255	33
415-6001B	201, 213, 226	418-2000	45	500-1060B	240	510-6629-DSG	139	519-6550	85	520-5167-C255	33
417-1411-CPVC-2	38	418-3000	45	500-1070B	240	510-6689DSG-PS	139	519-6560	81, 82, 85	520-5207-3S	29
417-2000	164	418-4000	45	500-1098	143	510-6909DSG-TT	137	519-6560B	247	520-5207-6S	29
417-2090	167	418-5000	45	500-1901B	235, 237	510-6919-DSGLC	137	519-6561	82	520-5237-3S	29
417-2201B	20, 226	418-6000	45	500-2515B	229	510-9029-DSG	139	519-6567	82, 85	520-5237-6S	29
417-4000	42, 164	418-7000	45	500-2680B	242	510-9037	139	519-6569-BEI	82	520-5247-3S	29
417-4001B	229	419-0900	181	500-2697B	244	511-1000B	240	519-6569-DKG	82	520-5247-6S	29
417-4010	42, 164	419-1000	177	500-5015B	229	511-1010B	241	519-6570B	81, 247	520-5307-3S	27



Part No.	Page	Part No.	Page	Part No.	Page	Part No.	Page	Part No.	Page	Part No.	Page
520-5307-6S	27	540-6417-LL	83	540-8537	84	550-2130B	258	550-6800	160	600-2201	52
520-5327-C25S	33	540-6417-S	82	540-8550	84	550-2515B	229	550-6810	160	600-2207	52
520-5337-3S	27	540-6419-BEI	82	540-8557	84	550-2630B	242, 244	550-6910B	239	600-2209-BEI	52
520-5337-6S	27	540-6419BEI-LL	83	540-8580	84	550-4050B	251	550-7500B	227	600-2209-DKG	52
520-5347-3S	27	540-6419-DKG	82	540-8587	84	550-4060B	251	550-7769-DSG	146	600-2709DSG-PS	124
520-5357-C25S	33	540-6430	82	540-8610	85	550-4080B	251	550-8620B	243	600-2729DSG-PS	124
520-6000-6S	23	540-6460WW	83, 92	540-8617	85	550-4090B	251	550-8631B	243	600-2749DSG-PS	124
522-4030	24	540-6460WWB	246, 247	541-6200	88	550-4110B	224	550-8700	16	600-2900	160
522-5237-3S	29	540-6461WW	83, 92	541-6410	88	550-4120B	224	550-8700B	198	600-3039DSG-PS	124
522-5237-6S	29	540-6467WW	83, 92	541-6417	88	550-4130B	224	550-9000B	252	600-3047	123
522-5247-3S	29	540-6469WW-B	83	541-8400	88	550-4200B	224	550-9010B	252	600-3249DSG-PS	124
522-5247-6S	29	540-6469WW-BEI	92	541-8407	88	550-4210B	224	550-9230	55	600-3269DSG-PS	124
522-5337-3S	27	540-6469WW-D	83	541-8500	88	550-4220B	224	550-9231	55	600-3279DSG-PS	124
522-5337-6S	27	540-6469WW-DKG	92	541-8507	88	550-4240B	224, 226	550-9237	55	600-3309DSG-PS	124
522-6000-6S	23	540-6480WW	83, 92	541-8610	88	550-4280	19	550-9239-DKG	55	600-3668-DSG	122
522-6215-6S	23	540-6487WW	83, 92	541-8617	88	550-4300B	226	550-9240	55	600-3688-DSG	122
522-6315-6S	23	540-6489WW-B	83	542-3060B	248, 249	550-4310B	224	550-9247	55	600-3919DSG-TT	122
532-2010B	91	540-6489WW-BEI	92	542-3240	85	550-4320B	224	550-9249-DKG	55	600-3929DSG-TT	122
532-2011B	91	540-6500	82, 85	542-3240B	245, 246, 247	550-4330B	226	550-9330	53	600-3939DSG-TT	122
532-2013B	91	540-6510	82	542-6200	82, 85	550-4340B	226	550-9337	53	600-3969DSG-TT	122
532-2017B	91	540-6510-9B	82	545-5700	89	550-4350B	224	550-9340	53	600-4000	160
532-2019B-DK	91	540-6510-9SB	82	545-5707	89	550-4360B	226	550-9340B	250	600-4101B	224, 226, 231
535-2201	184	540-6511	82	545-5710	89	550-4370B	226	550-9347	53	600-4119DSG-TT	122
535-2209-BRK	184	540-6511-9B	82	545-5717	89	550-4380B	224	550-9950	245	600-4217	123
535-2209-CHC	184	540-6517	82	545-5750	89	550-4390B	224	550-9950B	245	600-4227	123
535-2209-CSG	184	540-6517-9B	82	545-5757	89	550-4400B	226	560-C0A60S	90	600-4299DSG-TT	122
535-2209-GPH	184	540-6519-BEI	82	545-8400	89	550-4410B	224	560-C0A67S	90	600-4308-DSG	122
535-2209-MOC	184	540-6519-DKG	82	545-8407	89	550-4430B	224	560-C0C60S	90	600-4367	123
540-3160	92	540-6610	82	545-8410	89	550-4440B	224	560-C0C67S	90	600-4368-DSG	122
540-3161	92	540-6610-9B	82	545-8417	89	550-4450B	224	560-C3A60L	90	600-4577	123
540-3167	92	540-6611	82	545-8500	89	550-4460B	226	560-C3C60L	90	600-4587	123
540-3169-BEI	92	540-6617	82	545-8507	89	550-4470B	226	560-C3C67L	90	600-4707	123
540-5300*	87	540-6617-9B	82	545-8510	89	550-4480B	226	560-D0A60S	90	600-4717	123
540-5300-9B	87	540-6619-BEI	82	545-8517	89	550-4500B	226	560-D0A67S	90	600-4779DSG-1	123
540-5301	87	540-6619-DKG	82	545-8550	89	550-4780B	224, 226	560-D0C60S	90	600-4799DSG-1	123
540-5307	87	540-6630	82	545-8557	89	550-4990B	240	560-D0C67S	90	600-4808L-DSG	123
540-5309-BEI	87	540-6700	93	545-9100	66	550-5000B	240	560-D3C60L	90	600-4819DSG-1	123
540-5310*	87	540-6701	93	545-9107	66	550-5010B	240	560-J0A50TB	250	600-4828L-DSG	123
540-5310-9B	87	540-6707	93	545-9200	66	550-5060B	240	570-0036-07	19	600-4838L-DSG	123
540-5311	87	540-6709-BEI	93	545-9207	66	550-5100	143	570-0048-07	19	600-4879DSG-1	123
540-5317	87	540-6710	93	545-9300	66	550-5100DB	229	570-0060-07	19	600-4919-DSG	123
540-5319-BEI	87	540-6711	93	545-9307	66	550-5110B	240	570-0325-07	20	600-5000	160
540-5320	87	540-6717	93	550-0020	85	550-5150B	240	570-0425-07	20	600-5058L-1	123
540-5700	87	540-6719-BEI	93	550-0030	144	550-5220B	240	570-0525-07	* 20	600-5508L-DSG	122
540-5710*	87	540-7800B	246, 247	550-0050	144	550-5230B	240	600-0051B	258	600-5518L-DSG	122
540-5717	87	540-7800WW-10	83	550-0060	144	550-5340B	232	600-0101B	259	600-5529TT-DSG	122
540-5720*	87	540-7801WW-10	83	550-0070	144	550-5370B	232	600-0111	67	600-5568L-DSG	122
540-5730*	87	540-7807WW-10	83	550-0129-DSG	146	550-5410B	231	600-0220	228	600-5578L-DSG	122
540-5737	87	540-7808WW-10	83	550-0260	228	550-5420B	231	600-0401	67	600-5588L-DSG	122
540-6010	82	540-7809WW-B10	83	550-0411B	146	550-5430B	231	600-0451	67	600-5598L-DSG	122
540-6200	88	540-7809WW-D10	83	550-0601B	228	550-5619G-DSG	146	600-1000B	240, 241	600-6058L-1	123
540-6350	88	540-7900B	246, 247	550-0611	228	550-5701B	238	600-1020B	243	600-6098L-1	123
540-6360	88	540-7900WW-8	83	550-0621	228	550-5735-1B	238	600-1040B	238, 240, 242	600-6200	25
540-6410	82	540-7901WW-8	83	550-0631	228	550-5750-1B	238	600-1151B	259	600-7000	67
540-6410-9B	82	540-7907WW-8	83	550-0701B	228	550-5775-1B	238	600-1180B	258, 259	600-7010	67
540-6410-9SB	82	540-7908WW-8	83	550-995xB	245, 246, 247	550-5835-1B	238	600-1190B	258	600-7020	67
540-6410G	82	540-7909WW-B8	83	550-1030B	248, 249	550-5850-1B	238	600-1207B	259	600-7030	67
540-6410-LL	83	540-7909WW-D8	83	550-1500B	251	550-5875-1B	238	600-1287B	258	600-7040-CPVC	67
540-6410-S	82	540-8400	84	550-1600	138	550-6109-DSG	146	600-1290	258	600-7050-CPVC	67
540-6411	82	540-8407	84	550-1801B	237	550-6119-DSG	146	600-1500	19	600-7060-CPVC	67
540-6411-9B	82	540-8430	84	550-1811B	237	550-6600B	253	600-1500UCPB	231	600-7070-CPVC	67
540-6411-9SB	82	540-8437	84	550-1821B	235, 237	550-6610B	253	600-2100	74	600-7100-CPVC	67
540-6411-LL	83	540-8460	84	550-1831B	235, 237	550-6620B	253	600-2140	74	600-7160B	222, 223
540-6417	82	540-8500	84	550-1833B	235	550-6630B	253	600-2150B	74	600-7171B	222
540-6417-9B	82	540-8507	84	550-1841B	235, 237	550-6700	44	600-2160B	74	600-7180B	222, 223
540-6417-9SB	82	540-8530	84	550-2120B	258	550-6730	224, 226	600-2200	52	600-7200-CPVC	67





# Pool & Spa Product Buyer's Guide / Index

Part No.	Page	Part No.	Page	Part No.	Page	Part No.	Page	Part No.	Page	Part No.	Page
600-7300B	222	630-4918	133	642-2097B	256	672-1100	159	672-4660	176	672-9540	111, 171
600-7408L-1	123	630-5005	132	642-2130	92	672-1170	159	672-4670	173	674-2410	73
600-7418L-1	123	630-5008	132	642-3610	119	672-1300B	201, 213	672-4680	178	674-2420	74
600-7428L-1	123	630-5105	132	642-3620B	257	672-1310B	201, 213	672-4690	175	674-2430	74
600-7438L-1	123	630-5205	132	642-3680	119	672-1320	159	672-4700	175	674-2450	75
600-7608-DSG	122	630-5535	135	642-3700	119	672-1350B	199, 202, 209	672-4770	178	674-2510	73
600-7628-DSG	122	630-6005	132	642-4730B	255	672-1380B	198	672-4900	178	674-2520	74
600-8140	160	630-6008	132	642-4760B	255	672-1420	35	672-4910	178	674-2530	74
600-8150	160	630-6058S	132	650-3400	91	672-1430	177	672-4920	178	674-2550	75
600-8160	160	630-6088	131	660-3400	91	672-1440	177	672-4930	178	674-2560	75
600-9039GDSG-TT	122	630-6401	134	660-3407	91	672-1450	177	672-4940	178	674-2610	73
600-9101	185	630-7028	131	660-3587	123	672-1460	181	672-4960	178	674-2620	74
600-9167	185	630-8058SLC	131	660-3609DSG-PS	124	672-1780	159	672-4980	179	674-2640	75
600-9500B	233, 235, 237	630-K005	132	660-3919DSG-TT	122	672-2000	91	672-5060	175	674-2710	73
600-9600B	233, 235, 237	630-K008	132	660-4419-DSG	120	672-2001	91	672-5070	175, 176	674-2720	75
601-7749DSG-8	122	630-K008S	132	660-4459DSG-PS	120	672-2002	91	672-5080	175, 176	674-2730	75
602-0121B	223	633-1000	135	660-4499-DSG	120	672-2007	91	672-5090	139	674-2910	73
602-0201B	227	633-3008	131	660-4779-DSOG	123	672-2009-DKG	91	672-5200	178	674-2920	75
602-0441	223	633-3018	131	660-5518L-DSG	122	672-2500B	256	672-5240	178	675-0707	129
602-0451	223	633-3028	131	660-6300	134	672-2510B	256	672-5250	178	675-0717	129
602-1910B	230	633-3038	131	660-7058L-1	123	672-2520B	256	672-5260	178	675-0727	129
602-1931B	233, 235, 237	633-5008	131	660-7608-DSG	122	672-2530B	256	672-5301B	231, 232	675-0727-2B	66
602-3160*	65	633-6818S	134	668-3918L-DSG	124	672-3000	115	672-5800	175	675-0737	129
602-3160B*	65	633-6858S	134	668-5518L-DSG	124	672-3900	176	672-5810	175	675-0791L	129
602-3161*	65	633-7078	132	668-7608L-DSG	124	672-4010	175	672-5820	175	675-0807	129
602-3167*	65	633-7088	132	670-1100	160	672-4020	175	672-5830	175	675-0817	129
602-4201B	224, 226	633-8008	131	670-2009-DSG	145	672-4030	175	672-5900	175	675-0827	129
602-5301B	231, 232, 235	633-8018	131	670-2190	114	672-4040	175	672-5910	175	675-0837	129
602-5310B	231, 232, 233, 235	633-8028	131	670-2200	114	672-4070	175	672-5920	175	675-0908L	129
602-5321B	231, 232, 233, 235, 237	640-0407	116	670-2210	114	672-4100	175	672-5930	175	675-0918	129
602-7000B	222	640-0407S	116	670-2220	160	672-4110	172	672-5960	175	675-0928L	129
602-7011B	222	640-0427S	116	670-2270	160	672-4120	172	672-6410	176	675-0938L	129
602-7070B	222	640-0429-DSG	116	670-2290	114	672-4130	172	672-6420	176	675-1500	35
602-7071B	222	640-0437	116	670-2300	114	672-4140	178	672-6430	176	675-1500B	210, 211
602-7131	223	640-0487	116	670-2330	114	672-4150	178	672-6970	174, 178	675-2058LS	130
602-7140B	222, 223	640-2001	185	670-2350	114	672-4160	178	672-7100	179	675-2059-DSG	130
602-7200B	222	640-2800	92	670-2390	114	672-4170	178	672-7110	179	675-2088	130
602-7251B	222	640-2801	92	670-2451S	114	672-4180	173	672-7120	179	675-2088S	130
602-8210B	243	640-2807	92	670-2550	114	672-4190	173	672-7130	179	675-3031	186
605-0111B	223	640-2809-BEI	92	670-2585-SI	97	672-4200	173	672-7140	179	675-3401	186
608-3668L-DSG	124	640-2809-DKG	92	670-2600	114	672-4210	173	672-7150	179	675-3408	186
608-3918L-DSG	124	640-2900	92	670-2701S	97, 114	672-4250	172	672-7160	179	675-3908S	127
608-3928L-DSG	124	640-2901	92	670-2708-SI	97	672-4260	173	672-7170	179	675-3909-DSG	127
608-5508L-DSG	124	640-2907	92	670-2708S-SI	97	672-4270	173	672-7180	179	675-3918S	127
608-5518L-DSG	124	640-2909-BEI	92	670-2709-DSG	97	672-4280	173	672-7190	174	675-3919-DSG	127
608-7608L-DSG	124	640-2909-DKG	92	670-2718-SI	97	672-4310	180	672-7201	35	675-4008LF	127
611-4800	186	640-3000	92	670-2718S-SI	97	672-4320	180	672-7201B	235, 237	675-4108S	127
611-7000	186	640-3001	92	670-2739-DSG	116	672-4340	176	672-7211	22, 35	675-4109-DSG	127
616-1100	186	640-3007	92	670-2778S	97, 114	672-4350	177	672-7211B	235, 237	675-4118S	127
616-1300	186	640-3170	145	670-2900	97	672-4370	175	672-7241	35	675-4119-DSG	127
616-1400	186	640-4347	116	670-2910	97	672-4380	172	672-7241B	235, 237	675-4908LF	127
616-1600	186	640-4407	116	670-3280	114	672-4390	174	672-7250	159	675-5159-DSG	126
616-1800	186	640-4449-DSG	116	672-0400	176	672-4400	173	672-7360	178	675-5289-DSG	126
616-2000	186	640-6609-DSG	137	672-0410	176	672-4410	178	672-7370	178	675-5289L-DSG	126
630-0005	135	640-9000	51	672-0420	176	672-4430	172	672-7380	178	675-5309-DSGL	126
630-0008	132	640-9007	51	672-0550	175	672-4490	178	672-7401	35	675-5339-DSGL	126
630-0008S	132	642-214XB	254	672-0609-DSG	187	672-4540	92	672-7401B	227	675-5708	126
630-0038	133	642-311XB	254	672-1000	35, 159	672-4541	92	672-7900	172	675-6501	187
630-0068	132	642-471XB	255	672-1000B	233	672-4547	92	672-7910	173	675-6509-BRK	187
630-0068S	132	642-474XB	255	672-1010	35, 159	672-4549-BEI	92	672-7920	178	675-6509-CHC	187
630-0168	133	642-1300	79, 257	672-1010B	229, 250	672-4570	172	672-7930	178	675-6511	186
630-0178	133	642-1320	78, 257	672-1020	159	672-4580	172	672-8000	171	675-6531	187
630-0248	131	642-1350	257	672-1030	159	672-4610	175	672-8010	171	675-6537	187
630-4908	133	642-1390	257	672-1051B	229	672-4620	174	672-8020	171	680-200X	146
		642-2090B	256	672-1060	159	672-4630	172	672-8040	171	700-3011-000	36
		642-2091B	256	672-1080	159	672-4640	173	672-8050	111, 171	700-3102-000	36



Part No.	Page	Part No.	Page	Part No.	Page	Part No.	Page	Part No.	Page	Part No.	Page
700-3102-58J	115	715-1261	177	205, 206, 207, 210, 211, 213,		806-0062	102	818-3940B	224	872-2290B	258
700-3151-000	36	715-1301	223	214, 215, 216, 218, 219, 220,		806-0063	102	818-3950B	224	872-2291B	259
700-3152-000	36	715-1307B	222	221		806-0100	185	819-0005B	256	872-4000EB	228
700-3201-000	36	715-1360	257	805-0114B	229, 240, 241	806-0140	104	819-0006B	248, 249, 252	872-4000FB	228
700-3202-000	36	715-1910	52	805-0116EPB	222, 223,	806-0141	104	819-0008B	239	872-4000LB	228
711-0010	120	715-1911	52	227, 231		806-0142	104	819-0010B	230, 233, 235,	872-9000B	250
711-0060B	248, 249	715-1917	52	805-0118VB	259	806-0143	104	237		872-9001B	233
711-0070B	248	715-2000	65, 183	805-0124VB	259	806-1000B	225	819-0011B	198, 201, 213	872-9002B	229, 233, 235,
711-1010B	229, 240, 241,	715-2030B	249	805-0132	100	806-1070B	251	819-0013B	198, 199, 201,	237	
242, 249		715-4000	65, 183	805-0136B	227	806-1400B	199, 202, 209	202, 209, 213		873-E7S2B	230
711-1350	114	715-4020B	204, 215, 218,	805-0145	43, 165	806-2200-EP	97, 146	819-0016B	199, 201, 202,	873-E12S1B	230
711-1730	100	220		805-0145B	224	806-3000B	256	209, 213, 235, 237		873-E12S2B	230
711-1750	100	715-6011B	231	805-0151B	222	806-7800-S	102	819-0018B	199, 201, 202,	873-E15S1B	230
711-1910B	233, 235, 237	715-6611B	224, 226	805-0158B	204, 218, 220	806-7810-S	102	209, 213		873-E16S1B	230
711-1920B	233, 237	715-7800	245	805-0164B	215	806-7820-S	102	819-0019B	235, 237	873-E17S1B	230
711-2600B	256	715-8400B	198	805-0206B	225	806-7830-S	102	819-0020B	235, 237	873-E1011S2B	230
711-3050	125	715-9760	177	805-0207B	227	811-8160	182	819-0024B	257	880-1500	160
711-3250B	257	715-9770	183	805-0224	166, 227	813-0025B	210, 211	819-0025B	222, 223	880-1510	160
711-3260B	257	715-9850	183	805-0224B	224, 226, 227,	813-4370	135	819-0030B	246, 247, 253	880-1530	25, 160
711-4000	42, 164, 166	715-9860	183	231, 233, 235, 237		813-4400	135	819-0035B	199, 202, 209	880-1599	160
711-4000B	207, 235, 237	715-9870	183	805-0226	42, 164	813-4500	135	819-0051B	254	880-2000	160
711-4010	43, 165, 167,	715-9880	65, 183	805-0226B	229, 249	815-4011B	210, 211	819-0100B	246, 247	880-2010	160
227		715-9890	65, 183	805-0228B	225	817	242	819-0114B	239	880-2020	160
711-4010B	204, 210, 235,	715-9900B	240	805-0229	43, 165, 167	817-0001B	231	819-0501	203	880-2099	160
237		715-9910	65, 245, 257	805-0230B	226	817-0010	144	819-0800B	198, 203, 205,	880-2500	160
711-4020	43, 165, 167	715-9910B	246, 247, 256	805-0232	43, 165	817-0010B	251	211		880-2520	160
711-4030	43, 165, 167	718-1000B	238, 240, 242,	805-0232B	20, 226	817-0011	144	819-1031	257	880-2599	160
711-4050	166	244		805-0238B	199, 201, 202,	817-0012	144	819-1031B	255	902-2000B	229, 250
711-4070	99	718-3150B	239, 257	209, 213		817-0015	144	819-1110B	204, 206, 207,	916-1010B	251
711-4200B	224, 226	718-4201B	224, 226	805-0239B	222	817-0017B	243	210, 214, 215, 216, 217, 218,		916-1250	100
711-4290B	201, 213	718-4320B	224	805-0241	223	817-0018B	243	219, 220, 221		3310330-1	209
711-4300B	199, 201, 202,	718-6960	103	805-0241B	223	817-0019B	243	819-1115B	254	3312610-14	157
209, 213		718-7000B	239	805-0248B	217	817-0020B	239	819-1250B	257	3312610-19	157
711-4310	125	718-7027B	222	805-0252B	206, 207, 221	817-0050	144	819-1251	257	3312620-14	157
711-4350B	239	718-7031-CPVCB	223	805-0254B	230, 233, 235,	817-0050B	252, 253	819-2590B	198	3312620-19	157
711-4400	102	718-8200B	243	237		817-0075NB	228	819-3260B	252, 253	3410030-1E	156
711-4410	102	741-CGGZ-37LB	204, 205,	805-0256B	204, 210, 219	817-0075PB	227	819-4350	245	3410030-1E77	156
711-4600	125	207		805-0261B	214	817-0081B	226	819-4350B	210, 246, 247	3410310-15	155
711-4750	100	741-CGGZ-67RB	204, 205,	805-0264B	216	817-0100NB	228	819-4360B	199, 201, 202,	3410410-10	153
711-5140L	102	207		805-0268B	198	817-0100PB	227	209, 213		3410410-15	155
711-5310B	232	741-CGGZ-257RB	210, 211	805-0330	203	817-0106B	226	819-6930B	251	3410410-S0Z	154
711-6020	167	750-3101-280	36	805-0330B	205, 211	817-0125NB	227, 228	819-6940B	256	3410610-15	155
711-6020B	201, 213	750-3152-280	36	805-0339B	224, 226	817-0131B	226	819-6945B	246	3410610-S0Z	154
711-6500	102	750-3201-280	36	805-0339BN50B	231	817-0150NB	227, 228	819-6950B	247	3410612-10	153
711-6608	102	750-3202-280	36	805-0340VB	258, 259	817-0175NB	228	819-9002B	210, 211, 227	3410830-10	153
711-6900	102	770-0006	37	805-0348VB	258, 259	817-0200NB	227, 228	820-0013B	198, 233, 235,	3410830-15	155
711-6910	102	770-1004-PSW	37	805-0360B	229, 240, 241	817-1000	144	237		3410830-S0Z	154
711-7000B	239	770-1006-PSW2	37	805-0414	224, 226	817-1000B	240	820-0016B	201, 213	3411020-1U	152
711-7300	112	773-2400	37	805-0435B	235, 237	817-2500	144	820-0017-1B	199, 202, 209	3411621-1A	151
711-8010	138	775-0501	136	805-0436B	199, 202, 204,	817-2500B	229, 240, 241,	820-0017B	199, 201, 202,	3411621-1U	152
711-8200B	243	775-0502	136	207, 209, 210		242, 244, 249		209, 213, 235, 237		3420310-15	155
711-9510B	246	775-0503	136	805-0439	203	817-3501	144	820-0018B	201, 213	3420410-10	153
711-9520B	246	775-0504	136	805-0439B	201, 205, 211,	817-3501B	244	820-1050B	225	3420410-15	155
711-9860	99	777-WW99002	136	213		817-3510	144	827-0002B	233, 235, 237	3420410-S0Z	154
711-9870	99	777-WW99004	136	805-0442B	231, 232	817-4035B	238	827-8150B	224, 226	3420610-10	153
713-9520B	246	777-WW99012	136	805-0460B	227	817-4050B	238	830-3000B	229, 231, 233,	3420610-15	155
715-0000	65, 183	800-0100B	233, 235, 237	806-0003B	259	817-4075B	238	235, 237		3420610-S0Z	154
715-0040	183	800-0150B	233, 235, 237	806-0010	102	817-5000	144	830-4000SSB	224, 226, 227	3420620-1A	151
715-0340	181	802-0009B	225	806-0011	102	817-5000B	229, 240, 241,	865-0200	245	3420620-10	153
715-1001	143	802-1050B	225	806-0012	102	242, 244, 249		865-0800B	210, 211	3420620-15	155
715-1001B	229, 240, 241	805-0000B	224, 226	806-0013	102	817-7500	144	872-0004	185	3420820-1A	151
715-1010B	240, 241	805-0001-SPLB	203, 205,	806-0018	102	817-7500B	224	872-0011B	229, 233, 235,	3420820-10	153
715-1201B	199, 201, 202,	211		806-0021	102	818-3900B	224	237, 250, 259		3420820-15	155
204, 205, 206, 207, 209, 210,		805-0014	182	806-0022	102	818-3910B	224	872-0046B	231, 232	3420820-S0Z	154
211, 213, 214, 216, 219, 221		805-0014B	199, 202, 209	806-0023	102	818-3920B	224	872-2130DB	231	3421020-1U	152
715-1230	65	805-0112B	198, 201, 204,	806-0060	102	818-3930B	224	872-2240B	259	3421221-1A	151



# Pool & Spa Product Buyer's Guide / Index

Part No.	Page	Part No.	Page	Part No.	Page	Part No.	Page	Part No.	Page	Part No.	Page
3421821-1A	151	SD-07-1-T*	18	VB, 640-234x	254						
3421821-1U	152	SD-07-2-N*	18	VB, 640-2260	256						
3710821-1D	150	SD-07-2-T*	18	VB, 640-2261	256						
3710821-13	150	SD-10-1-N*	18	VB, 640-2267	256						
3711221-1D	150	SD-10-1-T*	18	VB, 642-241X	254						
3711221-13	50	SD-10-2-N*	18	VB, 642-479x	255						
3711621-1D	150	SD-10-2-T*	18	VB, 642-479X	255						
3711621-1V	148	SG3P10430-1	198	VB, 642-2400	254, 256						
3711621-1W	152	SMF-107I	32	VB, 642-2401	256						
3711621-13	150	SMF-110I	32	VB, 642-2407	256						
3712021-1D	150	SMF-115I	32	VB, 642-2409-BEI	256						
3712021-1V	148	SMF-120I	32	VB, 642-2409-DKG	256						
3712021-13	150	TW025	126	VB, 642-2410	256						
3720821-1D	150	TW027	126	VB, 642-2411	256						
3720821-1W	152	V, 640-134x	79	VB, 642-2417	256						
3720821-13	150	V, 640-134xLG	79	VB, 642-2419-BEI	256						
3721221-1D	150	V, 640-135x	79	VB, 642-2419-DKG	256						
3721221-13	150	V, 640-136x	78	VB, 642-4720	255						
3721621-1D	150	V, 640-137x	78	VB, 645-2150	256						
3721621-1V	148	V, 640-184x	75	VB, 645-2151	256						
3721621-1W	152	V, 640-191x	75	VB, 645-2157	256						
3721621-13	150	V, 640-226X	74	VB, 645-2159-BEI	256						
3722021-1D	150	V, 640-231x	72	VB, 645-2159-DKB	256						
3722021-1V	148	V, 640-234x	75	VB, 645-2159-DKG	256						
3722021-13	150	V, 640-292x	75	VP, 640-325x	117						
3810430-1PDA	16	V, 640-378x	118	VP, 640-328x	117						
CABASE-V	35	V, 640-379x	118	VP, 640-349x	117						
CAG004-W	44	V, 640-472x	76	VP, 640-393x	119						
CLC012-W	44	V, 640-476x	77	VP, 640-394x	119						
FC0757	21	V, 640-477x	77	WVD001	19, 68						
FC1007	21	V, 640-479x	76	WVD002	19, 68						
FC1257	21	V, 640-520x	118	WVS002	68						
FC1507	21	V, 640-525x	118	WVS002B	233, 237						
FC2007*	21	V, 640-530x	118	WVS003	68						
FD12-7	22	V, 640-535x	118	WVS003-01B	68						
FD18-7	22	V, 640-722x	75	WVS003B	233, 235, 237						
FS016	28	V, 640-723x	75	WVS004B	232						
FS019	28	V, 640-732x	75	WVS009	68						
FS022	28	V, 640-733x	75								
FS026	28	V, 640-820x	80								
FS02629	26	V, 640-821x	80								
FS02629-B	26	V, 640-822x	80								
FS016197	26	V, 640-823x	80								
FS019227	26	V, 640-824x	80								
FS022257	26	V, 640-825x	80								
MC-2-05	199	V, 640-2410	73								
MC-4-01	199	V, 640-3570S	118								
MC-4-02	199	V, 640-3580S	118								
MC-4-03	199	V, 640-7410	73								
MC-4-04	199	V, 640-7420	75								
MC-4-05	199	V, 640-7500	73								
MS-140	31	V, 640-7510	73								
MS-165	31	V, 640-7600	73								
MS-270	31	V, 640-7610	73								
PD-110	9	V, 640-8290	80								
PD-110X	147	V, 640-8297	80								
PD-140	10	V, 640-8300	73								
PD-140ABG	17	V, 640-8400	74								
PD-165	11	V, 640-8500	73								
PD-225	12	V, 640-8600	74								
PD-270	13	V, 640-8800	74								
PD-270A	15	V, 640-8900	74								
PD-350	14	V, 642-1340	257								
PHC1100-25	32	V, 642-3270B	257								
PHC1100-25R	32	V, 642-3630B	257								
SD-07-1-N*	18	VB, 640-191x	254								